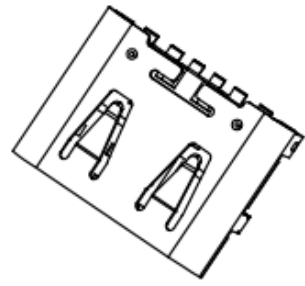
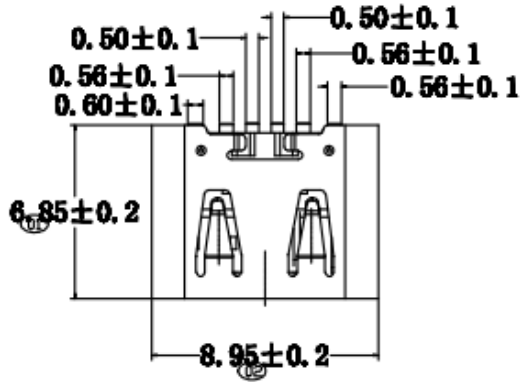


REV.	修改/发行	ECN No.	DATE	DATE
A0	△新版发行		Feng guo hao	2020-4-10

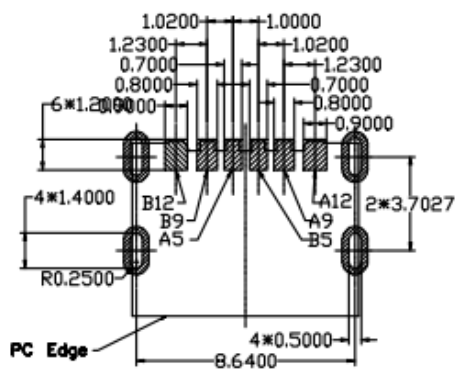
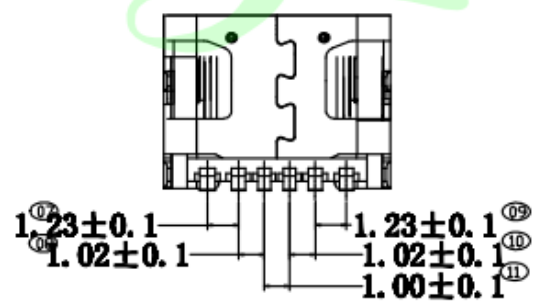
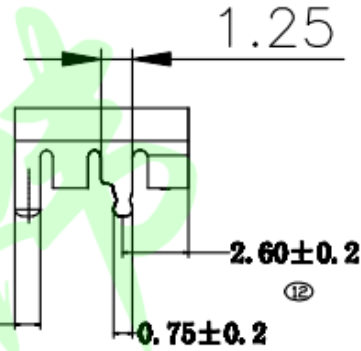
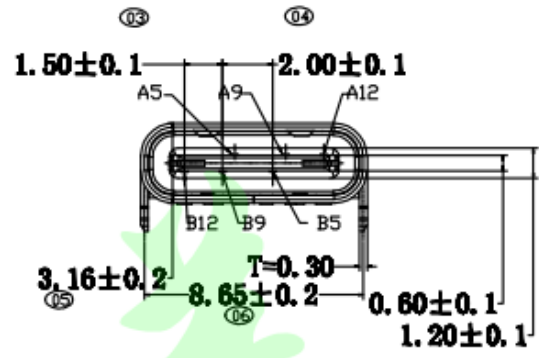


3D VIEW

B12	GND
B9	VBUS
B5	CC2
A5	CC1
A9	VBUS
A12	GND
PIN	SIGNAL NAME

NOTES:

- MATERIAL:
  - MOLDING: LCP UL94 V-0
  - CONTACT: COPPER ALLOY,
  - GOLD PLATED Min ON CONTACT AREA, 100u"
  - Min TIN (LEAD FREE) ON SOLDER AREA,
  - SHELL: SUS201-H, T=0.250±0.03mm
  - 50u" NICKEL PLATING OVER ALL.
- MECHANICAL:
  - INSERTION: 5~20N.
  - EXTRACTION: 8~20N AFTER TEST.
  - DURABILITY: 5000 CYCLES
- ELECTRICAL:
  - CURRENT: 3A FOR VBUS;
  - 1.25A FOR GND PIN.
  - 0.25A FOR OTHER.
  - VOLTAGE: 20 V MAX
  - WITHSTANDING VOLTAGE: 100V AC R.M.S.
  - CONTACT RESISTANCE: 40mΩ MAX.
  - INSULATION RESISTANCE: 100MΩ MIN.
- ENVIRONMENTAL
  - TEMPERATURE RANGE -25°C ~ +85°C
- 尺寸标注事项:
  - 图示有标注Ⓣ者为首样全检, 重点管控尺寸.
- 产品符合RoHS标准



RECOMMENDED P.C.B. LAYOUT  
TOLERANCE UNSPECIFIED ±0.05mm

东莞市美韩电子科技有限公司  
Dongguan Usakro Electronic Technology Co., Ltd.

.X: ±0.35	.I': ±1.5'	INTENDED USE:	TITLE:
.IX: ±0.25	.IX': ±1.0'	CONNECTOR	USB TYPE C 6PIN PLUG 简易版有弹
.XXX: ±0.30	.XIX': ±0.5'	APPR.:	PART NO.:
MAT'L:	SEE NOTES	CHINA:	SEE TABLE
FIGURE:		DR.:	ENG. NO.:
		Len.Song	TYPE-C-6M-001
			SCALE: 1:1
			PAGE: 1/1
			UNIT: mm
			REV.: A1