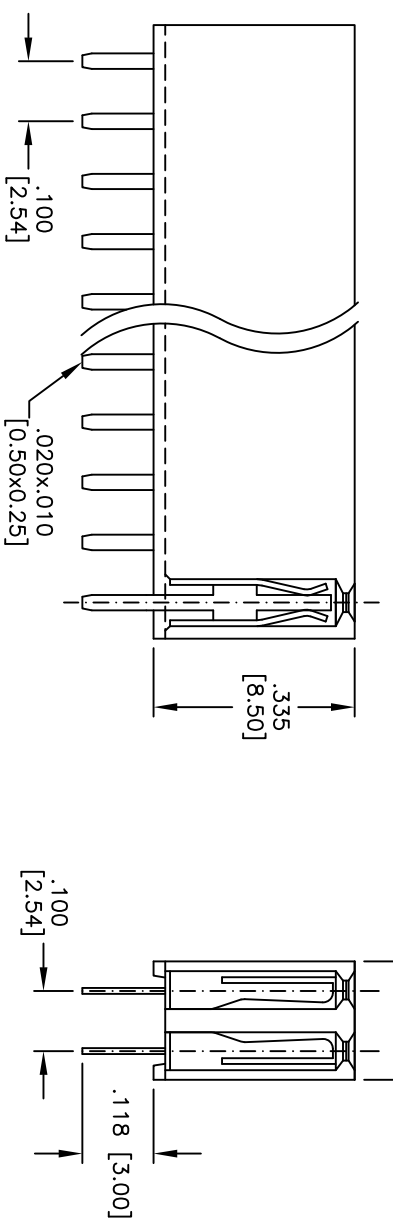
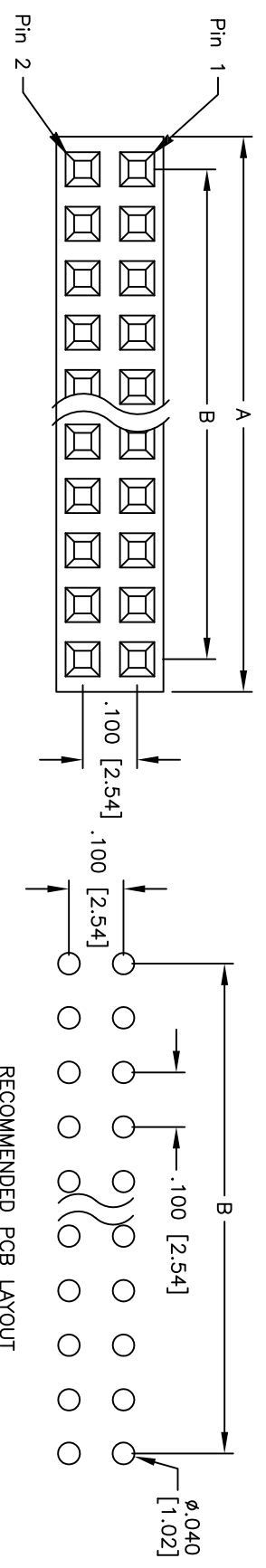


Rev	AWO #	Description	Date	Appr
-		RELEASED	8/02/10	

APPROVED: _____
 DATE: _____ TITLE: _____



Positions: 04 thru 80
 A = .100 [2.54] x No. of Positions per Row
 B = .100 [2.54] x No. of Spaces

ADAM TECH

909 Rahway Avenue, Union, NJ 07083
 Phone: 908-687-5000 Fax: 908-687-5710

TITLE
 .100 x .100 DUAL ROW RECEPTACLE STRIP
 .335 [8.50] HEIGHT

SPECIFICATIONS:
 Material: PBT, glass reinforced, rated UL 94V-0
 Insulator color: Black
 Contacts: Phosphor Bronze
 Plating: Tin over Copper Underplate overall.
 Electrical:
 Current rating: 3 Amps max.
 Contact resistance: 20 mohms max. initial
 Insulation resistance: 5,000 Mohms min.
 Dielectric withstanding voltage: 500 VAC for 1 minute
 Temperature Rating: -40°C to +105°C
 Operating temperature: -40°C to +105°C
 Environmental:
 Lead free, RoHS compliant
 Recommended soldering temp: 235°C for 5 seconds



UNLESS OTHERWISE SPECIFIED ALL DIMENSIONS ARE INCHES [MM] TOLERANCES: EXCEPT AS NOTED	
.X	±.10
.XX	±.020
.XXX	±.015
.XXX	±.010
ØXX	±.10
ØXXX	±.015
ØXXX	±.010
APPROVALS	DATE
DRAWN	8/02/10
CHECKED	
APPROVED	

SIZE	PART NO.	REV.
X	RS2T-XX-T	-
REF: S00089T		
SCALE: NTS	SHEET 1 OF 1	