

# SPECIFICATION FOR APPROVAL

## 規 格 書

Customer (客戶名稱): \_\_\_\_\_

Customer P/N(客戶番號): \_\_\_\_\_

Our P/N (本廠番號): FS4020NB0820-H8.5-R01

Approval Date(日期): 2020.4.14

Environment Request(環境標準):

Non-RoHS (非 RoHS 標準)

RoHS2.0 (RoHS2.0 標準)

REACH (REACH 標準)

Others (其他)

### CUSTOMER'S APPROVED SIGNATURE

|  |  |  |
|--|--|--|
|  |  |  |
|--|--|--|



## 泰州福聲電子科技有限公司

Taizhou Fusheng Electronic Technology Co.,Ltd.

Adds: No168 of FengHuang Road West,Hailing District ,Taizhou .

地址：江蘇省泰州市海陵區鳳凰西路168號

Tel: +86-523-86219066

Fax: +86-523- 81601108

[Http://www.tzfsdz.com](http://www.tzfsdz.com)

E-mail: [sales@electronic-tech.cn](mailto:sales@electronic-tech.cn)

|           | DESINGER | CHECKED | APPROVED |
|-----------|----------|---------|----------|
| SIGNATURE |          |         |          |
| DATE      |          |         |          |

# Alteration History

## 變更歷史

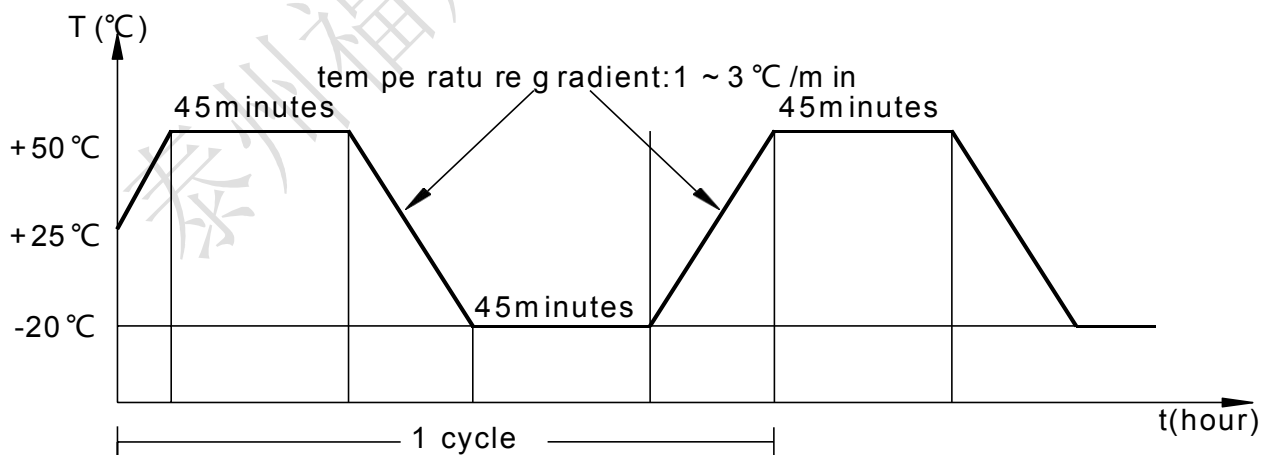
| Note<br>序號 | Date<br>日期 | Detail changes<br>變 更 內 容 | Reason<br>變更理由 | Revision<br>變更表示 |
|------------|------------|---------------------------|----------------|------------------|
|            |            |                           |                |                  |
|            |            |                           |                |                  |
|            |            |                           |                |                  |
|            |            |                           |                |                  |
|            |            |                           |                |                  |
|            |            |                           |                |                  |
|            |            |                           |                |                  |
|            |            |                           |                |                  |
|            |            |                           |                |                  |
|            |            |                           |                |                  |
|            |            |                           |                |                  |
|            |            |                           |                |                  |
|            |            |                           |                |                  |
|            |            |                           |                |                  |
|            |            |                           |                |                  |

## Speaker Specification

| Part No. | Customer No<br>顧客型號              |  | Customer code<br>顧客編號                                    |                     |
|----------|----------------------------------|--|--|---------------------|
|          | Our Part No<br>本廠編號              | FS5045NB0850-H22.0-R01   |  | Revision<br>版本<br>A |
| No.      | Item<br>項目                       | Specification<br>規格  | Testing Condition<br>測試條件                                |                     |
| 1.       | Rated Imp<br>共稱阻抗                | 8Ω±15%   | At 1kHz 1.0Vrms  |                     |
| 2.       | Resonance Freq<br>最低共振周波數        | Fb: 530Hz±20%<br>Fo: 1500Hz±20%  | Without Baffle   |                     |
| 3.       | Output S.P.L.<br>出力音壓            | 90±3dB   | At 0.1m 0.1w 1.2,1.5,2.0,3.0KHz<br>Average               |                     |
| 4.       | Rated Power<br>定格入力              | at 2.0W  | at 4.0 Vrms  |                     |
| 5.       | Max Power<br>最大入力                | at 3.0W  | at 4.9Vrms   |                     |
| 6.       | Frequency Range<br>實效頻寬          | FO----20kHz  |  |                     |
| 7.       | Operation<br>可靠性試驗               | Must Be Normal at<br>Rated Frequency Range                                   | ProgramSource2.0W<br>FO~10kHz                            |                     |
| 8.       | Buzzes & Rattles<br>異常音試驗        | Should not be audible buzz<br>and rattle at Rated<br>Frequency Range<br>無異常聲 | Sine Wave Between (正弦波入力)<br>at 4.0 Vrms / FO----- 10kHz |                     |
| 9.       | T H D<br>失真                      | 10% Max  | Rated Power Input 1000Hz                                 |                     |
| 10.      | Magnet<br>磁鐵                     | NdFeB  |  |                     |
| 11.      | Operating<br>Temperature<br>動作溫度 | -20°C to +50°C   |  |                     |
| 12.      | Storage<br>Temperature<br>儲存溫度   | -30°C to +60°C   |  |                     |
| 13.      | Weight<br>重量                     | g  |  |                     |

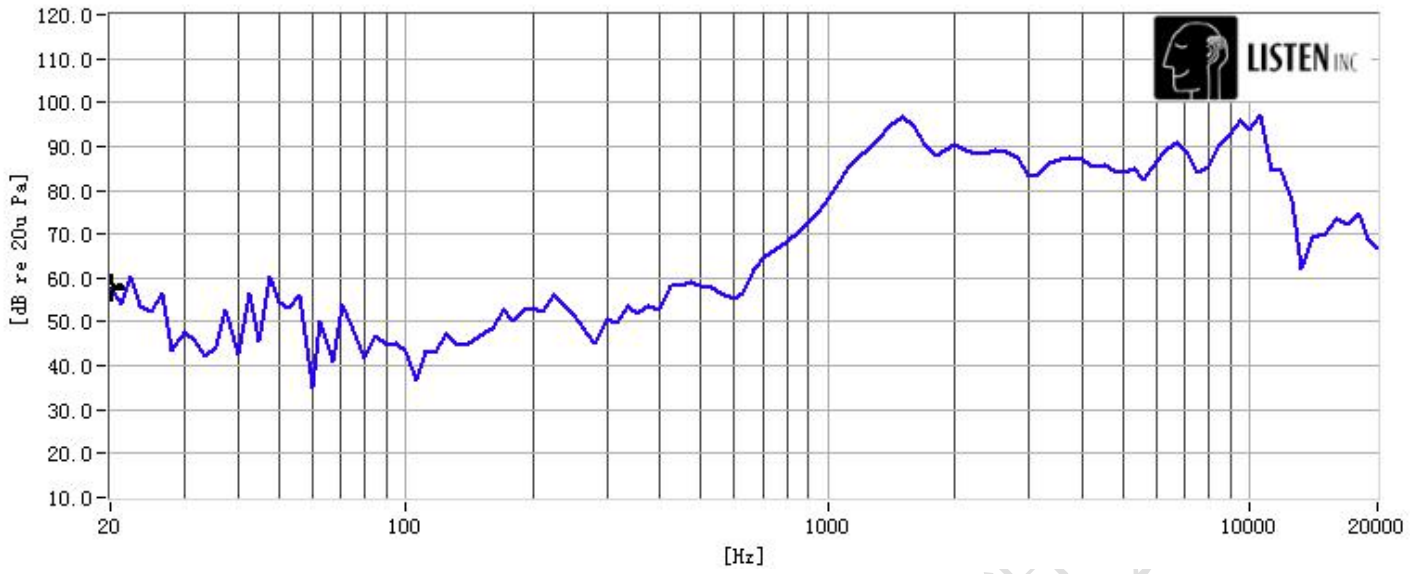
|     |   |   |
|-----|---|---|
| 14. | Cold Test<br>耐寒試驗                               | Must be normal after having been in a test chamber for 96 hours at the condition of $-20^{\circ}\text{C} \pm 2^{\circ}\text{C}$ and then left 2 hours in a room.<br>( $-20^{\circ}\text{C} \pm 2^{\circ}\text{C}$ , 96 小時試驗室溫兩小時後, 無異常)                                 |
| 15. | Heat Test<br>耐熱試驗                               | Must be normal after having been in a test chamber for 96 hours at the condition of $+50^{\circ}\text{C} \pm 2^{\circ}\text{C}$ 90~95% R.H and then left 2 hours in a room.<br>( $+50^{\circ}\text{C} \pm 2^{\circ}\text{C}$ 90~95% R.H 96 小時試驗常溫 2 小時後, 無異常的不良)        |
| 16. | Load Test<br>連續負荷試驗                             | Must be normal after load test :White noise 2W 96 hours. At rated frequency range<br>(白噪音 2.0W 連續 96 小時試驗後無異常的不良)   |
| 17  | Short Term<br>Maximum Power<br>test<br>瞬間最大功率測試 | Test for 1 hour under maximum power. Input shall be White noise in rated frequency response. And the signal will be 1 second on, 59 seconds off, total 60 cycles at rated frequency range, Must be normal after the test<br>(白噪音 3.0W, 1 秒開 59 秒關, 連續 60 迴圈, 試驗後無異常之不良) |
| 18. | <del>Polarity</del><br><del>極性</del>            | When a DC source's "+" polarity is attached to speaker's "+" polarity, "-" polarity is attached speaker's "-" polarity, the membrane will move forward. Red wire is "+" and the black wire is "-".<br>(接線板由側為正極, 左側為負極)   |
| 19. | Drop Test<br>跌落試驗                               | Drop the speakers contained in normal box onto a board 5mm thick 6 times from a height of 1.0m . Must be normal after the test<br>(在厚 5mm 的木板上從 1.0m 的高度跌落 6 次, 無異常不良)  |
|     |   |   |

### Temperature Cycle Test(5 cycle)

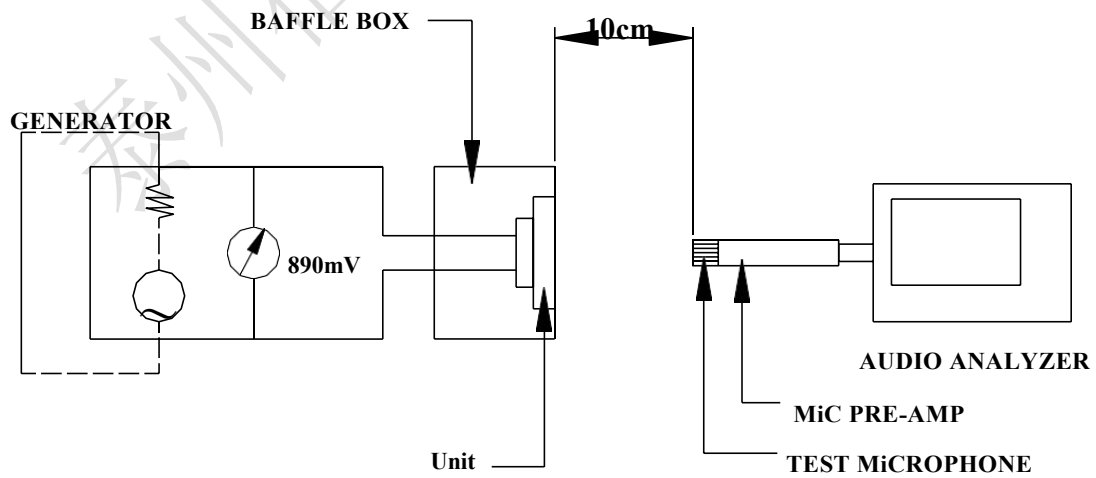
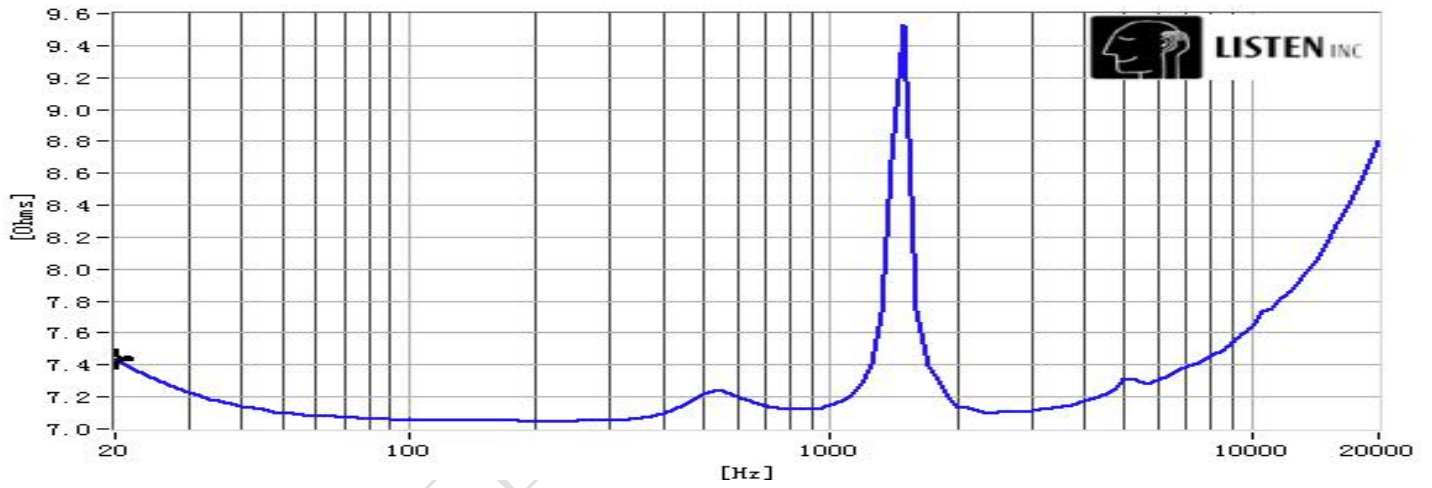


# Frequency Response

## 频响曲线



## 阻抗曲线



Product Outside View

