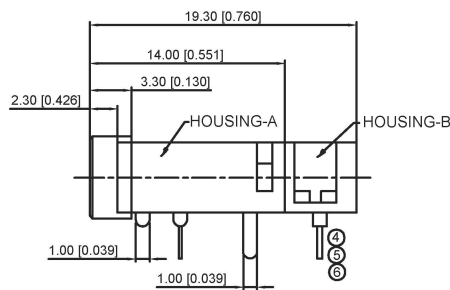
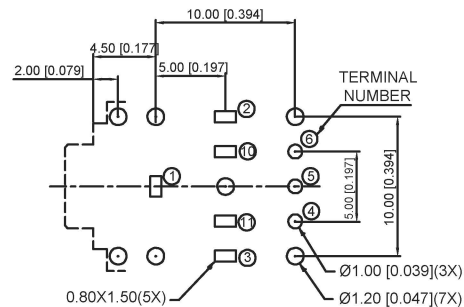


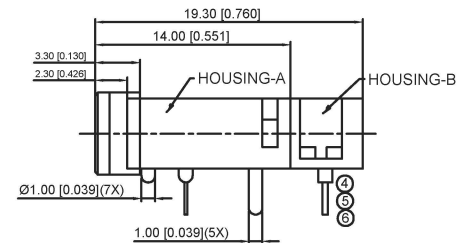
PJ-307AX-1



Ø3.60 MATE PLUG



PCB LAYOUT
(BOTTOM VIEW)



Copper set

PJ-307AX-2

MODEL NO.	PJ-307A0-	PJ-307A1-	PJ-307A2-	PJ-307A3-	PJ-307A4-	PJ-307A5-
SCHEMATIC						

	MATERIAL	PLATING
terminal 1	Phosphor Bronze	tin
terminal 2	Phosphor Bronze	tin
terminal 3	Phosphor Bronze	tin
terminal 10	Brass	tin
terminal 11	Brass	tin
plastic	Pbt	

广东星坤科技股份有限公司

生效日期

MARK DESCRIPTION

REVISIONS

www.helloxk.com www.helloxk.com www.helloxk.com

文件工程章

DSND		DATE		SCALE: N/A	MODEL TYPE: 3.5 PHONE JACK
DWN		DATE		VIEW:	PART NO.:
CHKD		DATE		UNIT: mm/in	DWG NO.:
APPD		DATE		SIZE: A4	PJ-307AX-X
UNSPECIFIED TOLERANCES				XKB INDUSTRIAL PRECISION CO., LIMITED	WEIGHT 1.0g
					SHEET 1/1
					REVISION A0