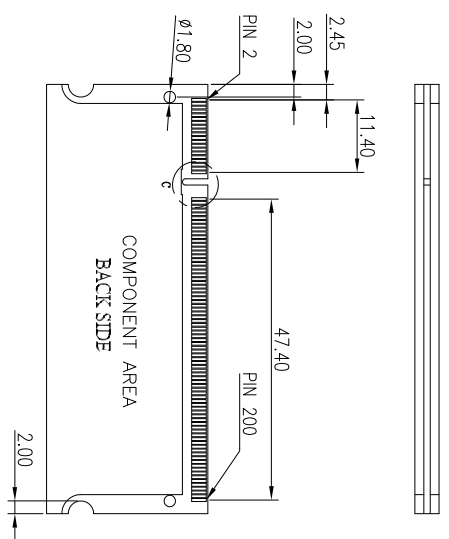
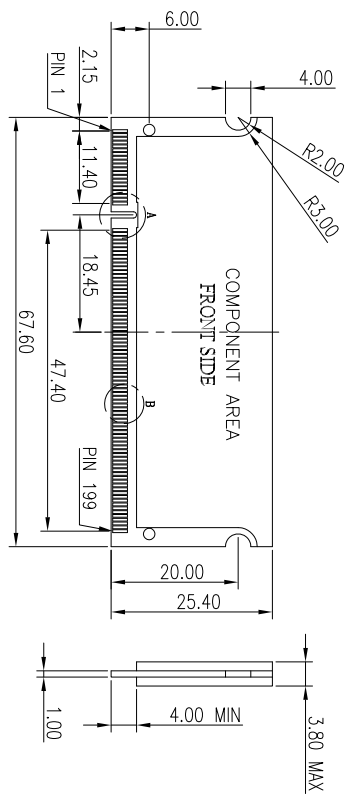


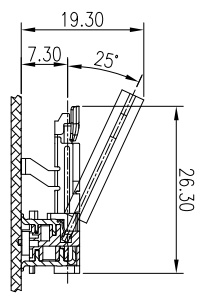
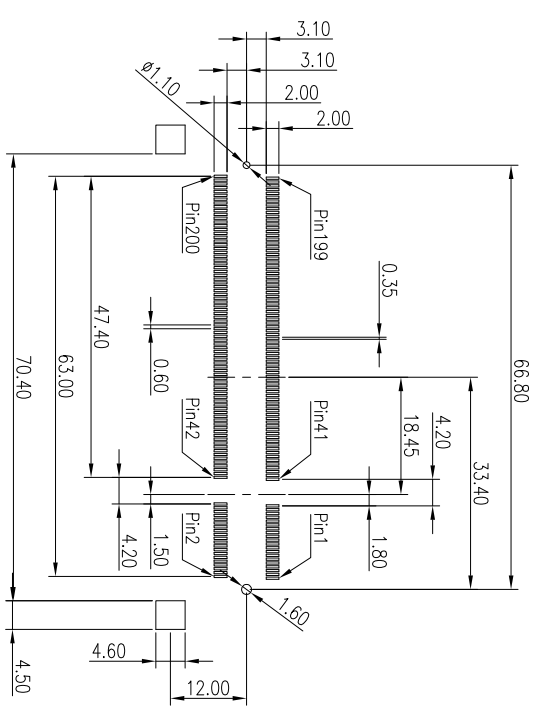
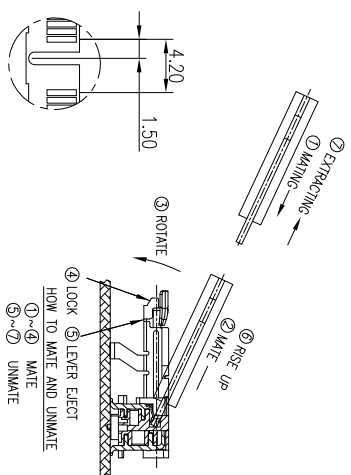
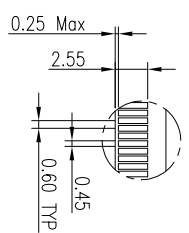
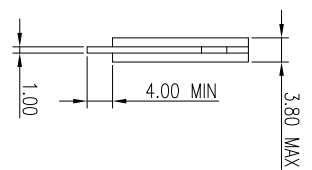
APPROVED: _____

DATE: _____ TITLE: _____

Rev	AWO #	Description	Date	Appr
		SEE SHT 1 OF 2 FOR REVISION		



RECOMMENDED MODULE CONFIGURATION.



UNLESS OTHERWISE SPECIFIED ALL DIMENSIONS ARE MM	
TOLERANCES: EXCEPT AS NOTED	
INCHES	HOLES
.X ± .10	ØX ± .10
.XX ± .020	ØXX ± .015
.XXX ± .015	ØXXX ± .010
APPROVALS	DATE
DRAWN	DY
CHECKED	
APPROVED	

ADAM TECH

909 Railway Avenue, Union, NJ 07083
 Phone: 908-687-5000 Fax: 908-687-5710

TITLE: SO DIMM, 200 PIN DDR2 SOCKET, SMT
 1.8V KEY, 9.2MM HEIGHT

SIZE: X
 PART NO.: SOD-200-S-6-9.2
 REF: S00131T
 SCALE: NTS
 SHEET 2 OF 2