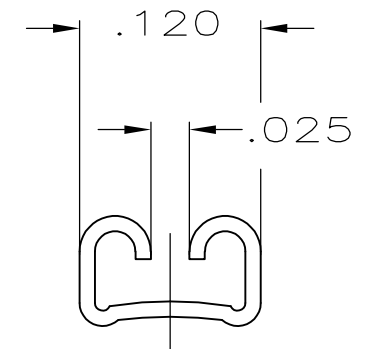
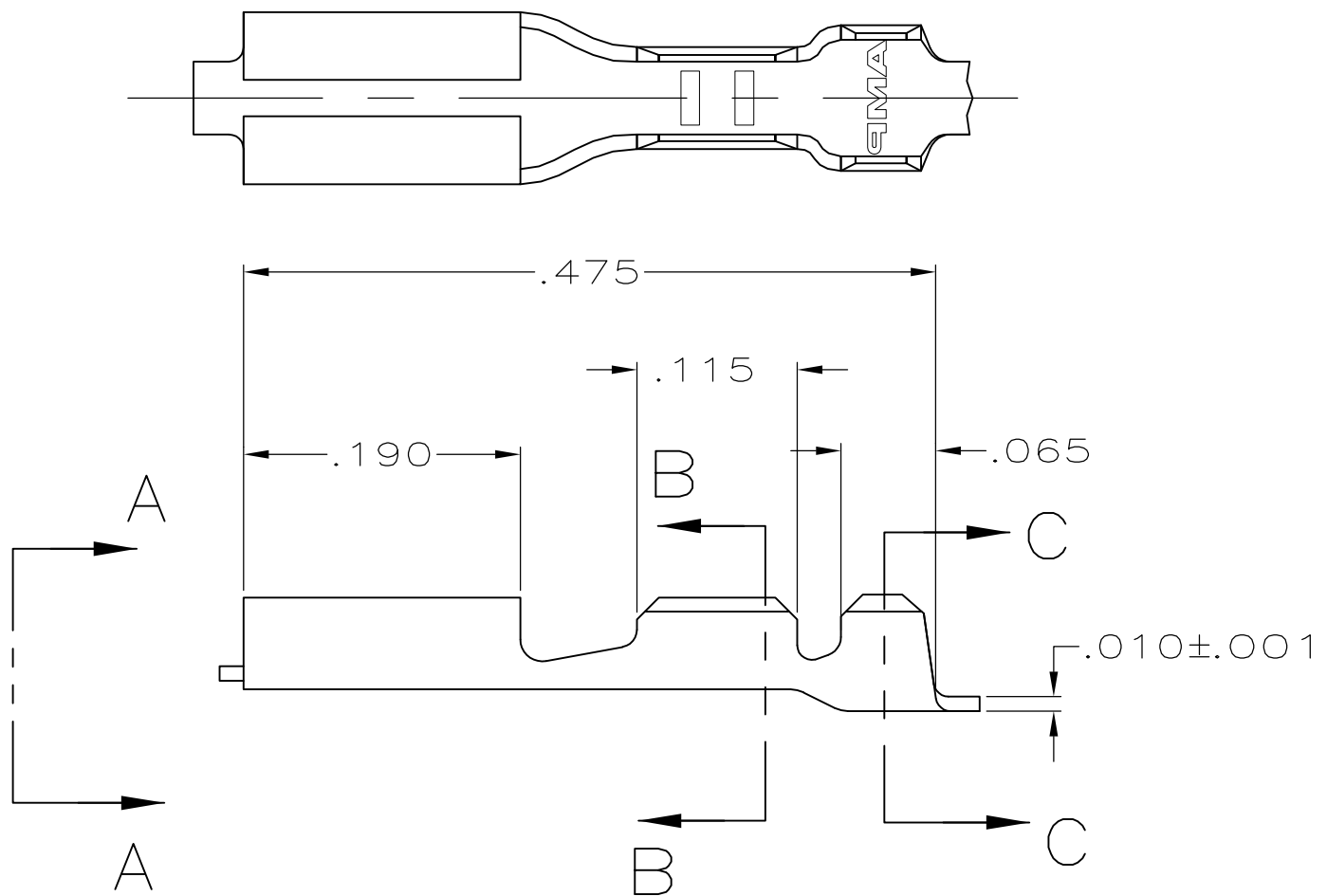


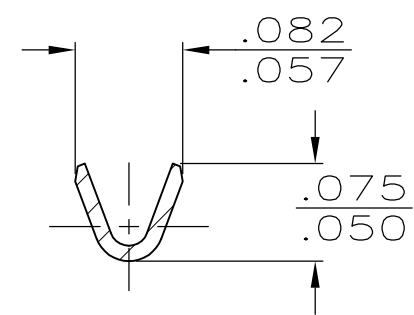
THIS DRAWING IS UNPUBLISHED. RELEASED FOR PUBLICATION  
 © COPYRIGHT - By - ALL RIGHTS RESERVED.

LOC	DIST	REVISIONS					
AF	50	P	LTR	DESCRIPTION	DATE	DWN	APVD
		F		REVISED PER ECR-12-013459	28NOV2012	KH	PD

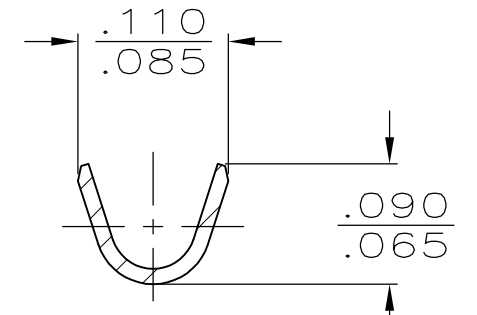
- 1 CONTINUOUS STRIP ON REELS.
- 2 MATING TAB SIZE IS .093 X .032±.001.
- 3 WIRE SIZE IS #26-#22 AWG.
- 4 INSULATION RANGE IS .035-.060 DIA.



VIEW A-A



SECTION B-B



SECTION C-C

61813-1  
 PART NO.

THIS DRAWING IS A CONTROLLED DOCUMENT.		DWN	JR RUTH	8/26/97	<b>TE Connectivity</b>				
DIMENSIONS: INCHES		CHK	MS FEHER	8/26/97				NAME TAB RECEPTACLE, .093	
		TOLERANCES UNLESS OTHERWISE SPECIFIED:		APVD	J HUZVAR	8/26/97	SIZE A3 00779 C-61813		
MATERIAL BRASS		FINISH PRE-TIN		PRODUCT SPEC		RESTRICTED TO			
				APPLICATION SPEC		SCALE 8:1			
				WEIGHT		SHEET 1 OF 1			
				CUSTOMER DRAWING		REV F			