

**PLEASE CHECK WWW.MOLEX.COM FOR LATEST PART INFORMATION**

**Part Number:** [0512271100](#)  
**Status:** **Active**  
**Description:** 2.00mm (.079") Pitch Wire-to-Wire Plug Housing, Positive Lock, 11 circuits

**Documents:**

[3D Model](#) [Product Specification PS-51216-006 \(PDF\)](#)  
[Drawing \(PDF\)](#) [RoHS Certificate of Compliance \(PDF\)](#)

**General**

Product Family Crimp Housings  
 Series [51227](#)  
 Product Name N/A

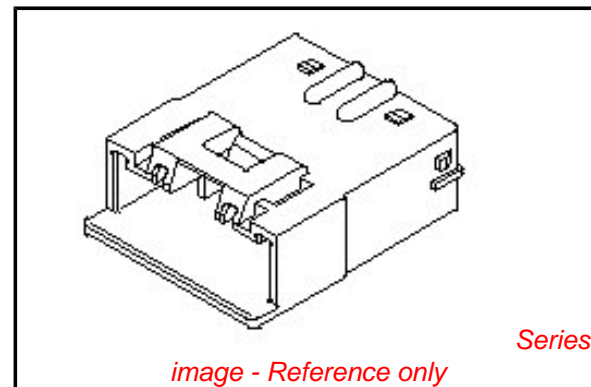
**Physical**

Circuits (maximum) 11  
 Color - Resin Natural  
 Gender Male  
 Glow-Wire Compliant No  
 Material - Resin Polyester  
 Number of Rows 1  
 Packaging Type Bag  
 Panel Mount No  
 Pitch - Mating Interface (in) 0.079 In  
 Pitch - Mating Interface (mm) 2.00 mm  
 Stackable No  
 Temperature Range - Operating -25°C to +85°C

**Material Info**

**Reference - Drawing Numbers**

Product Specification PS-51216-006, RPS-51216-006, RPS-51216-012  
 Sales Drawing SD-51227-002



**EU RoHS**

**ELV and RoHS  
 Compliant**  
**REACH SVHC  
 Contains SVHC: No**  
**Halogen-Free  
 Status  
 Not Reviewed**

**China RoHS**



**Need more information on product  
 environmental compliance?**

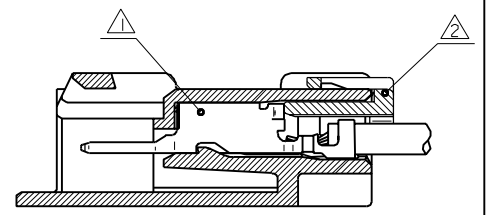
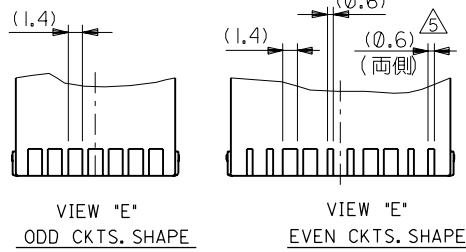
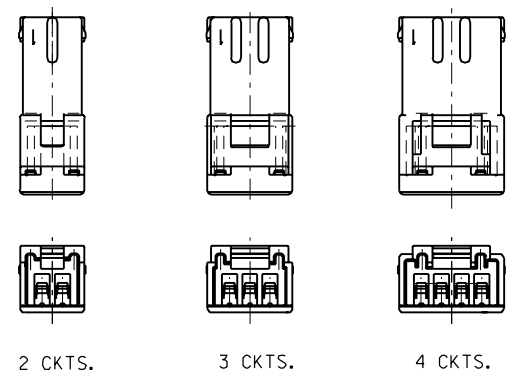
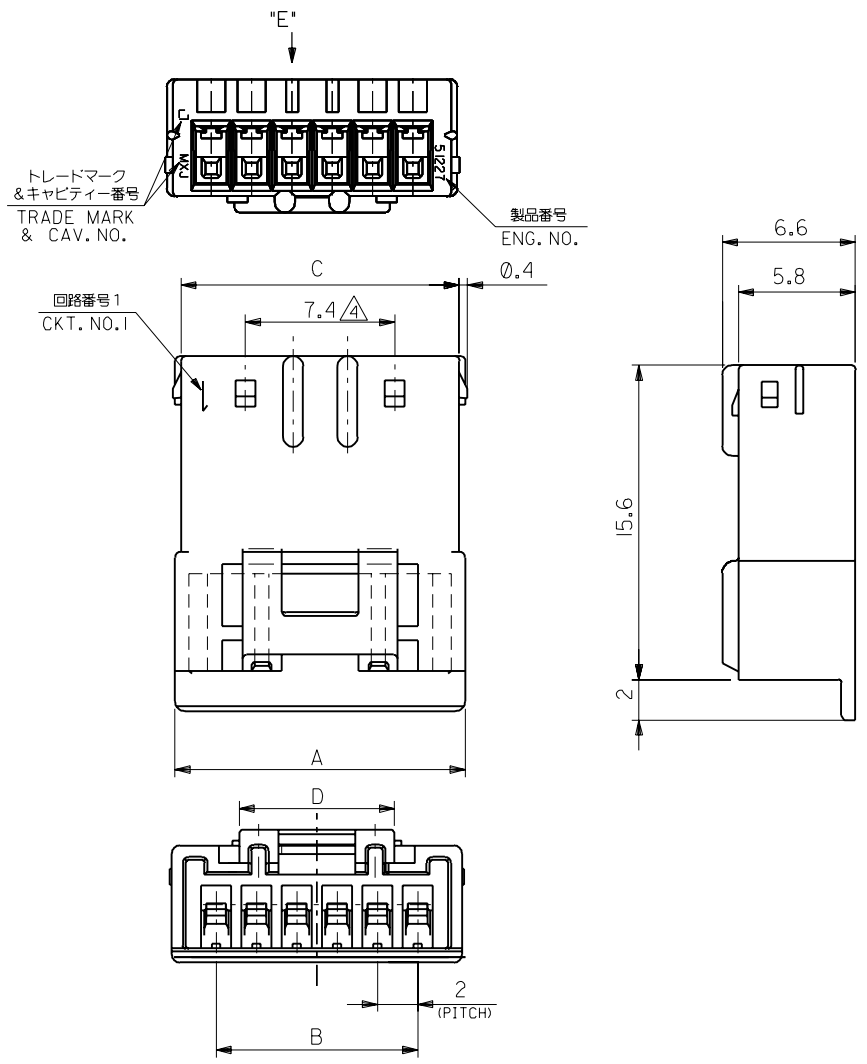
Email [productcompliance@molex.com](mailto:productcompliance@molex.com)  
 For a multiple part number RoHS Certificate of  
 Compliance, [click here](#)

Please visit the [Contact Us](#) section for any  
 non-product compliance questions.

**Search Parts in this Series**  
[51227Series](#)

**Mates With**  
[51216 Housing](#)

**Use With**  
[51217](#) , [56086](#)



ターミナル及びリテーナー装着状態図  
TERMINAL & RETAINER ASSEMBLY DRAWING

|   | 7.7  | 31.8 | 28   | 32.4 | 51227-1500   | 15   |
|---|------|------|------|------|--------------|------|
| ↑ | 29.8 | 26   | 30.4 |      | -1400        | 14   |
|   | 27.8 | 24   | 28.4 |      | -1300        | 13   |
|   | 25.8 | 22   | 26.4 |      | -1200        | 12   |
|   | 23.8 | 20   | 24.4 |      | -1100        | 11   |
|   | 21.8 | 18   | 22.4 |      | -1000        | 10   |
|   | 19.8 | 16   | 20.4 |      | -0900        | 9    |
|   | 17.8 | 14   | 18.4 |      | -0800        | 8    |
|   | 15.8 | 12   | 16.4 |      | -0700        | 7    |
|   | 13.8 | 10   | 14.4 |      | -0600        | 6    |
| ↓ | 11.8 | 8    | 12.4 |      | -0500        | 5    |
|   | 9.8  | 6    | 10.4 |      | -0400        | 4    |
|   | 7.7  | 7.8  | 4    | 8.4  | -0300        | 3    |
|   | 6.4  | 5.8  | 2    | 6.4  | 51227-0200   | 2    |
|   | D    | C    | B    | A    | MATERIAL NO. | CKT. |

- 注記 NOTES
- ① 適合ターミナル : 56086シリーズ
  - ② 適合リテーナー : 51217シリーズ  
APPLICABLE RETAINER : 51217 SERIES
  - 3. 嵌合相手 : 51216シリーズ  
MATE WITH : 51216 SERIES
  - ④ 5~15極に適用。  
APPLY 5-15 CIRCUITS.
  - ⑤ 10, 12, 14極に適用。  
APPLY 10,12,14 CIRCUITS.

DO NOT SCALE DRAWING

|  |                                  |                                  |                                  |  |  |   |  |   |                                   |                             |                     |           |
|--|----------------------------------|----------------------------------|----------------------------------|--|--|---|--|---|-----------------------------------|-----------------------------|---------------------|-----------|
| EC NO.<br>DRWN:<br>CHK:<br>APPR:   | EC NO.<br>DRWN:<br>CHK:<br>APPR: | EC NO.<br>DRWN:<br>CHK:<br>APPR: | EC NO.<br>DRWN:<br>CHK:<br>APPR: | RELEASED 01/06/21<br>EC NO. JC2001-1002<br>DRWN: H.II<br>CHK: T.YAMAGUCHI<br>APPR: T.YAMAGUCHI | MATERIAL 材料<br>PBTP, UL94V-0<br>[色: 自然色]<br>[COLOR: NATURAL] | GENERAL TOLERANCES:<br>(UNLESS SPECIFIED)<br>一般公差 | SCALE<br>---<br>DESIGN UNITS<br>mm INCH    | MODEL NO.<br>51227-**-00                            | DIMENSIONS:<br>mm INCH<br>mm ONLY |                             | SHT                 | REV       |
|  |                                  |                                  |                                  |  | FINISH 仕上げ<br>//   | 10 UNDER 未満<br>±0.2                               | DRAWN BY & DATE<br>H.II 01/06/21           | TITLE:<br>2.0 mm WIRE TO WIRE CONN.<br>PLUG HOUSING |                                   |                             |                     |           |
|  |                                  |                                  |                                  |  | WIRE RANGE 適用電線範囲<br>//                                      | 10 OVER 30 UNDER 未満<br>±0.25                      | CHECKED BY & DATE<br>T.YAMAGUCHI 01/06/21  | MOLEX MOLEX INCORPORATED                            |                                   |                             |                     |           |
|  |                                  |                                  |                                  |  | INS. RANGE 被覆外径<br>//  | 30 OVER 以上<br>±0.3                                | APPROVED BY & DATE<br>T.YAMAGUCHI 01/06/21 | CAD FILENAME<br>51227002.S01                        | MATERIAL NO.<br>SEE CHART         | DRAWING NO.<br>SD-51227-002 | SHEET NO.<br>1 OF 1 | SIZE<br>B |
| THIS DRAWING CONTAINS INFORMATION THAT IS PROPRIETARY TO MOLEX INCORPORATED AND SHOULD NOT BE USED WITHOUT WRITTEN PERMISSION. |                                  |                                  |                                  |  |  |   |  |   |                                   |                             | EN-02J(097) MXJ-54  |           |