

ATLANTIC VERSION TERMINATOR INTERFACE ADAPTER	PART NUMBER	REVISION	DESCRIPTION	FEED TYPE
	2266125-1	C	FINE CRIMP HEIGHT ADJUST	MECHANICAL
	2266125-2	C	FINE CRIMP HEIGHT ADJUST	PNEUMATIC
	2266125-5	C	FINE CRIMP HEIGHT ADJUST	SERVO LATCH PLATE ⁴
	2266125-6	C	NON-CRIMP HEIGHT ADJUST	SERVO LATCH PLATE ⁴
	2266125-7	C	FINE CRIMP HEIGHT ADJUST	NONE
	7-2266125-7	C	CRIMP TOOLING KIT	
	7-2266125-8	C	APPLICATOR CONVERSION KIT	

APPLICATOR STYLE CONVERSION CHART									
CONVERT TO	PART NUMBERS REQUIRED								
PNEUMATIC FEED	2119950-1	1338685-1	5-18022-5	2119641-1	2119799-1	2063440-1			
SERVO LATCH PLATE	2119951-1	-	8-2266125-5	1901094-3	-	2168400-6 (QUANTITY 2)			
SMART APPLICATOR	2161326-1	-	8-2266125-4	-	-	-			
MECHANICAL FEED	2119949-1	1338685-1	5-18022-5	2119653-1	-	-			
SERVO LATCH PLATE	2119951-1	-	8-2266125-5	1901094-3	-	2168400-6 (QUANTITY 2)			
SMART APPLICATOR	2161326-1	-	8-2266125-4	-	-	-			
MECHANICAL FEED	2119949-1	1338685-1	5-18022-5	2119653-1	-	-			
PNEUMATIC FEED	2119950-1	1338685-1	5-18022-5	2119641-1	2119799-1	2063440-1			

APPLICATOR DATA		
CRIMP	SIZE	TYPE
WIRE	2.97 mm [.117]	F
INSUL	3.40 mm [.134]	O

APPLICATOR INSTRUCTIONS 408-10389

APPLICATOR CONVERSION KITS	
PART NUMBER	INSULATION DIAMETER RANGE
7-2266124-8	Ø3.83-4.47mm [.151-.176]
7-2266125-8	Ø3.27-3.81mm [.129-.150]
7-2266126-8	Ø2.87-3.25mm [.113-.128]

TERMINAL DATA: DEUTSCH TERMINAL DEUTSCH CRIMP SPECIFICATION			
TERMINAL NAME: STAMPED CONTACT PIN SIZE 12			
WIRE STRIP LENGTH	INSULATION DIAMETER RANGE		
5.71-6.99 mm [.225-.275 IN]	Ø3.27-3.81 mm [.129-.150 IN]		
TERMINAL APPLICATION SPECIFICATION 0425-208-0000 Rev G			
TERMINALS APPLIED			
TE TERMINAL	DEUTSCH TERMINAL	TE TERMINAL	DEUTSCH TERMINAL
1572028-2	1060-12-0144	1572028-1	1060-12-0166

TERMINAL DATA: DEUTSCH TERMINAL DEUTSCH CRIMP SPECIFICATION			
TERMINAL NAME: STAMPED CONTACT SOCKET SIZE 12			
WIRE STRIP LENGTH	INSULATION DIAMETER RANGE		
5.71-6.99 mm [.225-.275 IN]	Ø3.27-3.81 mm [.129-.150 IN]		
TERMINAL APPLICATION SPECIFICATION 0425-208-0000 Rev G			
TERMINALS APPLIED			
TE TERMINAL	DEUTSCH TERMINAL	TE TERMINAL	DEUTSCH TERMINAL
286955-2	1062-12-0144	286955-1	1062-12-0166

WIRE SIZE	CRIMP HEIGHT mm [INCH]	CRIMP HEIGHT REFERENCE SETTING
4.00mm2	2.24+0.03/-0.05 [.088+.001/-.002]	4.9
12 AWG	2.03+0.03/-0.05 [.080+.001/-.002]	7.2
3.00mm2	2.03+0.03/-0.05 [.080+.001/-.002]	7.4
2.50mm2	1.88+0.03/-0.05 [.074+.001/-.002]	8.3
14 AWG	1.78+0.03/-0.05 [.070+.001/-.002]	9.7
2.00mm2	1.78+0.03/-0.05 [.070+.001/-.002]	9.7

- 1 RECOMMENDED SPARE PARTS
- 2 GREASE BEARING SURFACES LIGHTLY
- 3 LUBRICATE DAILY PER THE APPLICATOR INSTRUCTION SHEET SUPPLIED WITH THE APPLICATOR.
- 4 APPLICATOR SPECIFIC DATA TO BE ENTERED INTO BLANK MEMORY CHIP AT ASSEMBLY. SEE BELOW FOR PART NUMBER:
 MECHANICAL FEED WITH "SMART APPLICATOR" CONVERSION: 8-2266125-4
 PNEUMATIC FEED WITH "SMART APPLICATOR" CONVERSION: 8-2266125-4
 SERVO FEED WITH "FINE CRIMP HEIGHT ADJUST": 8-2266125-5
 SERVO FEED WITH "NON-CRIMP HEIGHT ADJUST": 8-2266125-6
- 5 ADJUSTMENT OF THE STRIPPER MAY BE REQUIRED WHEN MOVING THE APPLICATOR BETWEEN BENCH AND LEADMAKER APPLICATIONS.
- 6 APPLY PART NUMBER 1-23419-5 LOCTITE TO THREADS OF ITEMS 62. APPLY PART NUMBER 2-23419-6 LOCTITE TO THREADS OF ITEMS 242. FOR -6 ONLY APPLY PART NUMBER 1-23419-5 LOCTITE TO THREADS OF ITEMS 37.
- 7 GREASE THREADS, GROOVE AND O-RING ON ITEMS 35 & 252.
- 8 MAGNET, ITEM 166 MUST BE ORIENTED CORRECTLY IN ORDER TO PROPERLY ACTUATE THE COUNTER.
- 9 CRIMP HEIGHT REFERENCE SETTING WAS THE SETTING USED WHEN THE APPLICATOR WAS QUALIFIED AT THE FACTORY. ADJUSTMENT MAY BE NECESSARY WHEN RUNNING APPLICATOR IN THE FIELD.
- 10 SPARE FEED CAM STORAGE LOCATION REFER TO INSTRUCTION SHEET FOR ADDITIONAL INFORMATION.
- 11 TO CONVERT THE APPLICATOR TO A NON-CARRIER CUTTING STYLE, REMOVE ITEM 13 AND ATTACH TO THE LOCATION ON THE BACK SIDE OF THE HOUSING. REFER TO INSTRUCTION SHEET FOR ADDITIONAL INFORMATION.
- 12 WHEN ASSEMBLING A NON CRIMP HEIGHT ADJUST APPLICATOR (-6) USE SHIMS FROM ITEM 260 TO ACHIEVE A NOMINAL SHIM HEIGHT OF 3.56.
- 13 DIMENSION 2.0±0.5 APPLIES TO PIN TERMINALS 1060-12-01XX.
- 14 DIMENSION 7.9±0.5 APPLIES TO SOCKET TERMINALS 1062-12-01XX.
- 15 SEE APPROPRIATE APPLICATOR LOG SHEETS FOR APPLIED TERMINALS, WIRE RANGE AND MEMORY CHIP.
- 16 TERMINAL LUBRICANT IS RECOMMENDED.

***WARNING**
 ON INSTALLATION, SET WIRE DISC, ITEM 40 TO LARGEST WIRE SIZE SETTING. USE OF SETTINGS BELOW MINIMUM REQUIRED CRIMP HEIGHT SETTING WILL CAUSE DAMAGE TO CRIMP TOOLING.

-	-	1	1	1	1	1	2119791-9	DEPRESSOR, WIRE	286
-	-	-	1	-	-	-	2119957-2	APPLICATOR SHIM PACK	260
-	-	-	1	-	1	1	8-21084-0	O-RING, .676 ID, .070 DIA. MAT.	252
-	-	-	-	-	1	-	2119640-1	PUSH ROD, AIR FEED	250
-	-	-	-	-	1	-	2079988-1	BUSHING, LCH5-12, MISUMI	249
-78	-77	-7	-6	-5	-2	-1	PART NO	DESCRIPTION	ITEM NO

ATLANTIC VERSION
 Shown on sheets 1 of 4 & 2 of 4
 (Pacific version shown on sheets 3 of 4 & 4 of 4)

SET UP GAUGE	LOC	DIST	REVISIONS			
2119599-1	A	66	REV	DATE	BY	APPV
			C	ECR-16-002893	25FEB2016	MR GB
			C1	ECR-16-017522	12DEC2016	RS LZ

-	-	-	-	-	1	-	2119641-1	FEED CAM, AIR FEED	248
-	-	1	-	1	1	1	2119798-1	DETENT PIN	247
-	-	-	1	-	1	1	1-22279-3	SPRING, COMPRESSION	246
-	-	-	-	1	-	-	2119758-1	RAM, AMP STYLE, SIDE FEED, NON-ADJ.	245
-	-	1	1	1	1	1	2119082-9	CAM, SNAIL, INSULATION ADJUSTMENT	244
-	-	1	1	1	1	1	2079764-1	WASHER, WAVE SPRING, CREST-TO-CREST	243
-	-	1	1	1	1	1	2119083-1	RETAINER, INSULATION DIAL	242
-	-	1	1	1	1	1	7-18023-7	SCR, SKT HD CAP M3 X 4.0	241
-	-	-	2	2	-	-	2168400-6	SHCS, LOW HEAD, RoHS, M5 X 16	240
-	-	-	-	-	-	1	2119580-1	MECHANICAL FEED ASSEMBLY	239
-	-	-	-	-	-	1	2063440-1	AIR FEED MODULE	238
-	-	-	1	1	-	-	2119740-2	TAG, IDENTIFICATION	213
-	-	-	1	1	-	-	1901094-3	SPACER, FEEDER	198
-	-	-	-	-	2	-	21045-3	RING, RETAIN, EXTERN, 3/16 CRESCENT	172
-	-	1	1	1	1	1	994969-1	MAGNET, RARE EARTH HIGH ENERGY	166
-	-	REF	REF	REF	REF	REF	994970-2	COUNTER, MAGNETIC	164
-	-	-	-	-	-	1	240638-1	SPRING, FEED FINGER	163
-	-	-	-	-	-	1	3-23627-7	PIN, RETAIN, GRVD, 3/16 X .854	137
-	-	-	-	-	-	1	2119799-1	HOLDER, FEED FINGER, AF	136
-	-	-	REF	REF	-	-	SEE NOTE 4	MEMORY CHIP, PROGRAMMED	135
-	-	-	1	1	-	-	1633743-1	SERVO FEED LATCH ASM	133
-	-	1	1	1	1	1	1-18028-2	WASHER, FLAT, REG M4	119
-	-	-	REF	REF	-	-	2119944-1	FEED FINGER ASSEMBLY,SF	117
-	-	1	1	1	1	1	2119955-1	ASSY, LUBRICATOR, SIDE FEED	113
-	-	1	1	1	1	1	455888-5	SPACER, CRIMPER	82
1	-	-	-	-	-	-	2266125	PRINT, APPLICATOR LOG SHEET	72
-	-	1	1	1	1	1	2119956-1	DOCUMENTATION PACKAGE	71
-	-	1	1	1	1	1	2119791-9	DEPRESSOR, WIRE	70
-	-	1	-	-	-	1	2119740-1	TAG, IDENTIFICATION	67
-	-	2	2	2	2	2	2168078-1	SCREW, DRIVE, RH, RoHS, 2 x .188	66
-	-	1	-	-	1	1	2119793-1	LIMITER, ADJUSTMENT BOLT	63
-	-	3	-	3	3	3	992763-5	SCR, SET, SOC, CONE POINT, M3 x 4.0	62
-	-	1	1	1	1	1	2079383-4	SCR, BHSC, RoHS (M4 X 8)	60
-	-	-	-	-	-	1	5-18022-5	SCR, HEX HD CAP, M4 X 6.0	59
-	-	-	-	-	-	1	1338685-1	PAWL, FEED	56
-	-	4	4	4	4	4	2168400-1	SHCS, LOW HEAD, RoHS, M4 X 12	54
-	-	2	2	2	2	2	2168083-3	SCR, SKT HD CAP, RoHS, M4 X 12.0	53
-	-	1	1	1	1	1	5018030-1	NUT, HEX, REG, RoHS, M3	52
-	-	1	1	1	1	1	811242-5	BUMPER, HOLD DOWN	51
-	-	1	1	1	1	1	690753-2	SPACER, TONKER	50
-	-	-	-	-	-	1	18023-9	SCR, SKT HD CAP M4 X 6.0	49
-	-	-	-	-	-	1	2119652-1	FEED CAM, PRE FEED	48
-	-	-	-	-	-	1	2119653-1	FEED CAM, POST FEED	47
-	-	1	1	1	1	1	2119656-9	APPLICATOR BASIC ASSEMBLY, SF	46
-	-	1	-	-	-	1	2119370-1	RAM, AMP STYLE, SIDE FEED	44
-	-	1	1	1	1	1	2079383-7	SCR, BHSC, RoHS (M8 X 25)	41
-	-	1	-	-	-	1	2119645-1	DISC, NUMBERED FA WIRE ADJUSTMENT	40
-	-	1	-	-	-	1	2119957-1	APPLICATOR SHIM PACK	39
-	-	1	1	1	1	1	2119644-2	RAM WASHER, PRECISION	38
-	-	1	1	1	1	1	2119085-1	FA HEAD, ATLANTIC STYLE	37
-	-	1	-	-	-	1	2119092-1	BOLT, ADJUSTMENT	35
-	-	1	1	1	1	1	1752356-6	SUPPORT, TERMINAL	34
-	-	2	2	2	2	2	2079383-5	SCR, BHSC, RoHS (M4 X 20)	33
-	-	1	1	1	1	1	2161328-1	HEX HEAD, FLANGED, M5 x 8mm LONG	32
-	-	1	1	1	1	1	1-1320908-0	SPACER, STRIP GUIDE	30
-	-	1	1	1	1	1	2119959-1	ASSEMBLY, STRIP GUIDE	29
-	-	1	1	1	1	1	1320928-6	STRIP GUIDE	24
-	-	1	1	1	1	1	2168083-2	SCR, SKT HD CAP, RoHS, M4 X 8.0	21
-	-	1	1	1	1	1	1-18028-2	WASHER, FLAT, REG M4	20
-	-	1	1	1	1	1	2119533-1	STRIPPER, SIDE FEED	19
-	-	1	1	1	1	1	2119806-1	INSERT, SHEAR	13
-	-	1	1	1	1	1	3-22280-3	SPRING, COMPRESSION	12
-	-	1	1	1	1	1	1-356885-4	STOP, SHEAR	11
-	-	1	1	1	1	1	2119805-1	SHEAR HOLDER, FRONT	10
-	-	1	1	1	1	1	1803095-1	FLOATING SHEAR, FRONT	9
1	1	1	1	1	1	1	2-1803293-1	ANVIL, COMBINATION DEUTSCH STYLE	8
-	-	1	1	1	1	1	3-240641-7	SPACER	7
-	-	-	-	-	-	-	-	-	6
1	-	1	1	1	1	1	1-2119757-3	DEPRESSOR, SHEAR	5
-	-	1	1	1	1	1	238011-2	BLOCK, CRIMPER SPACER	4
1	1	1	1	1	1	1	2-1803019-7	CRIMPER, INSULATION O	3
-	-	1	1	1	1	1	455888-6	SPACER, CRIMPER	2
-	-	1	1	1	1	1	4-1633713-6	CRIMPER, WIRE PREMIUM	1
-78	-77	-7	-6	-5	-2	-1	PART NO	DESCRIPTION	ITEM NO

DIMENSIONS:		TOLERANCES UNLESS OTHERWISE SPECIFIED:		MATERIAL:		FINISH:		WEIGHT:		RESTRICTED TO:	
mm	0 PLC	±									
	1 PLC	±									
	2 PLC	±									
	3 PLC	±									
	4 PLC	±									
	ANGLES	±									

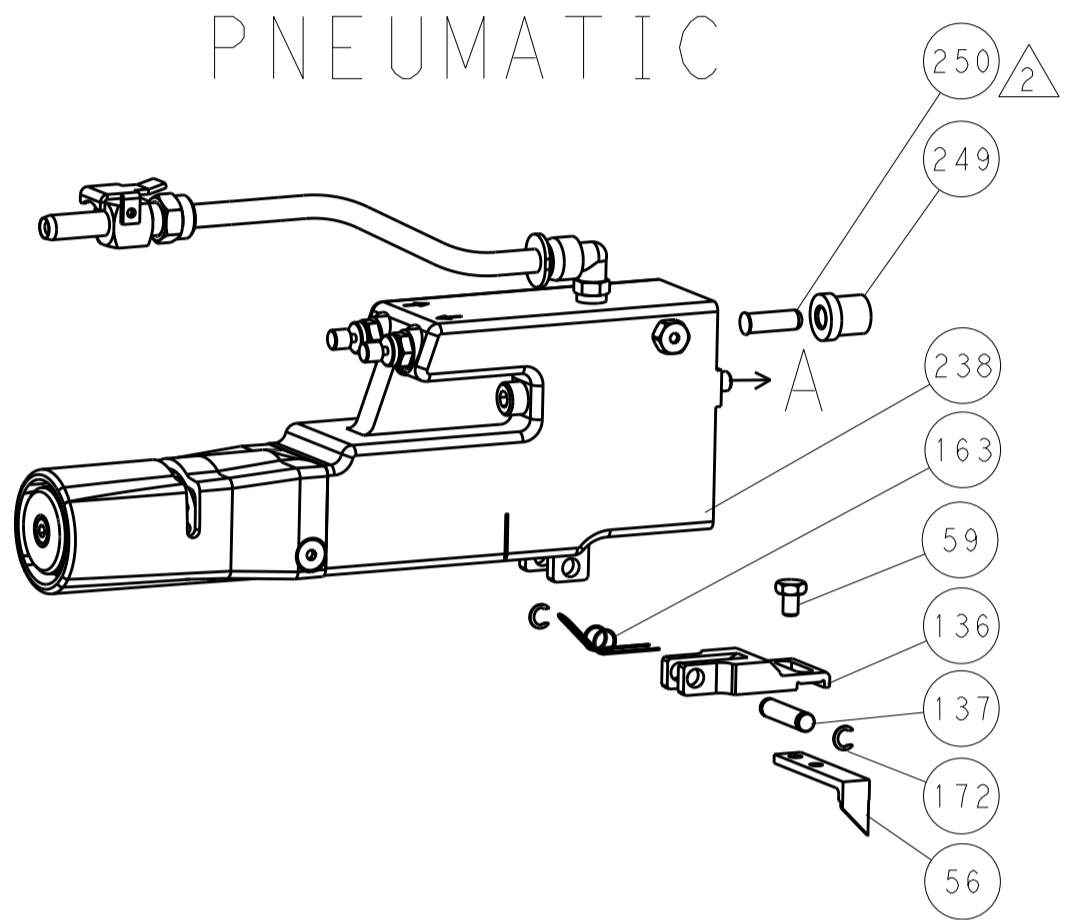
Customer Accessible Production Drawing SCALE 1:2 SHEET 1 OF 4 REV C1

LOC		DIST		REVISIONS			
A	66	P	LTM	DESCRIPTION	DATE	OWN	APVD
		-		SEE SHEET 1			

FEED TYPE MECHANICAL



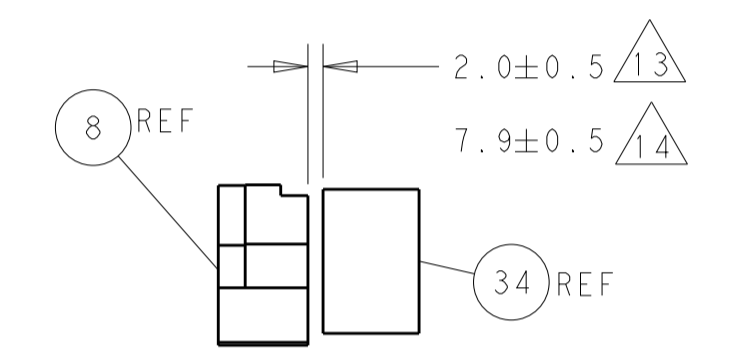
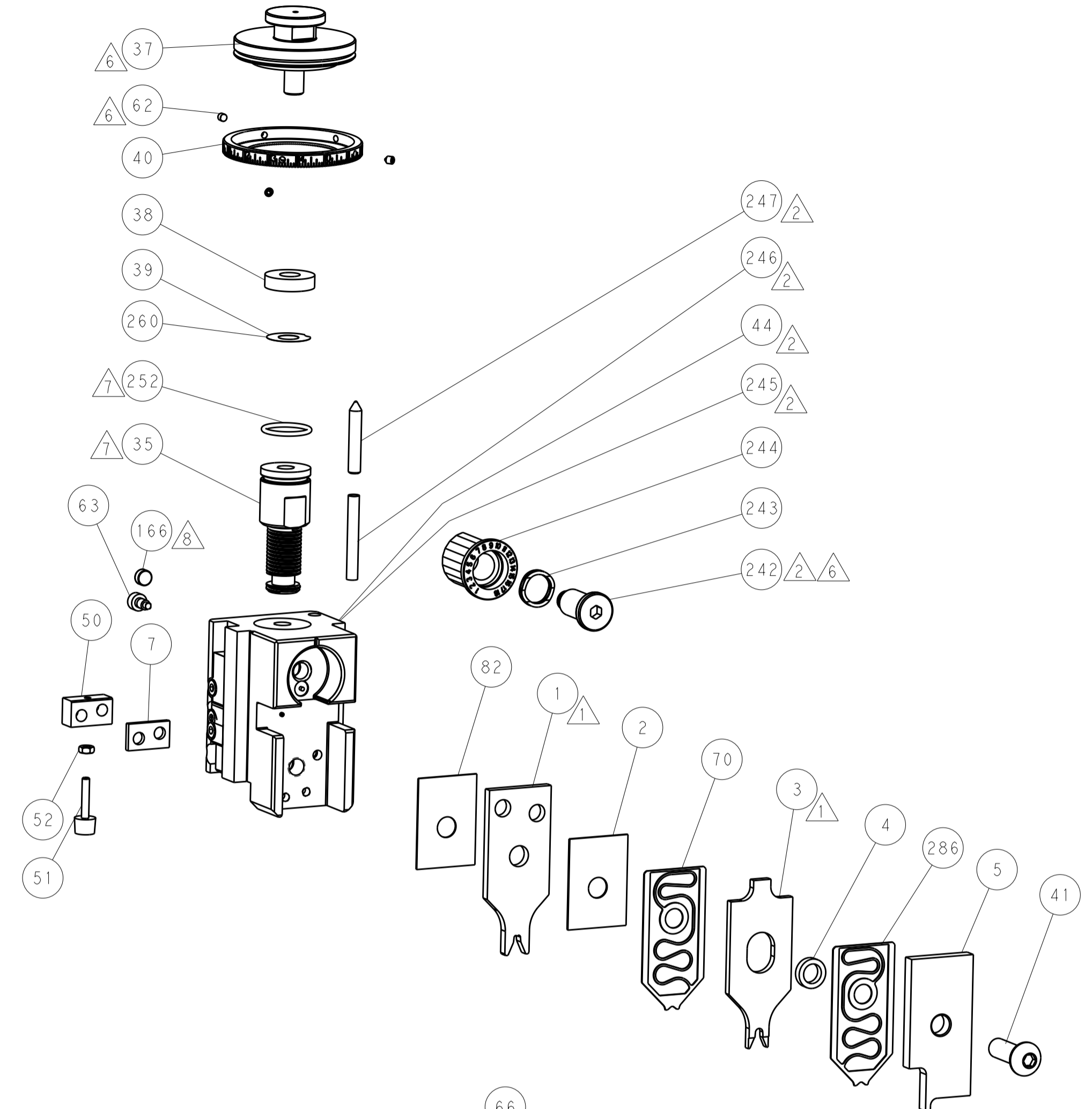
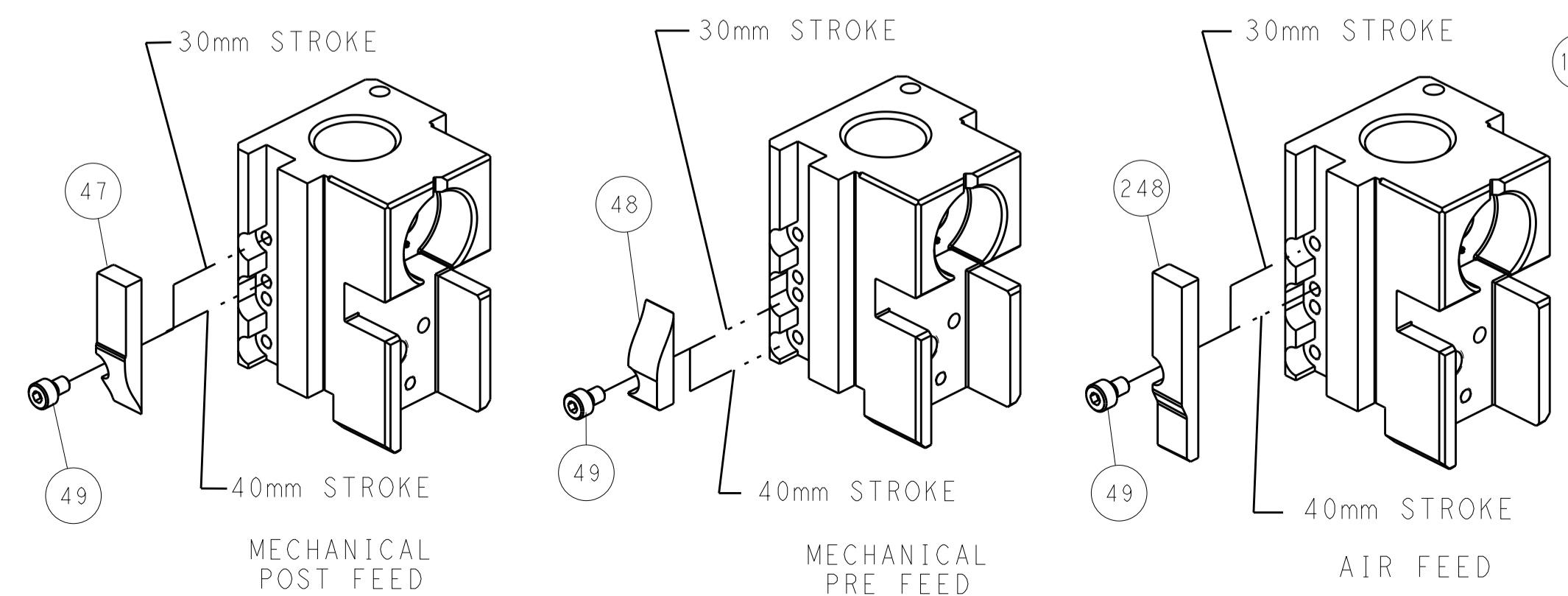
PNEUMATIC



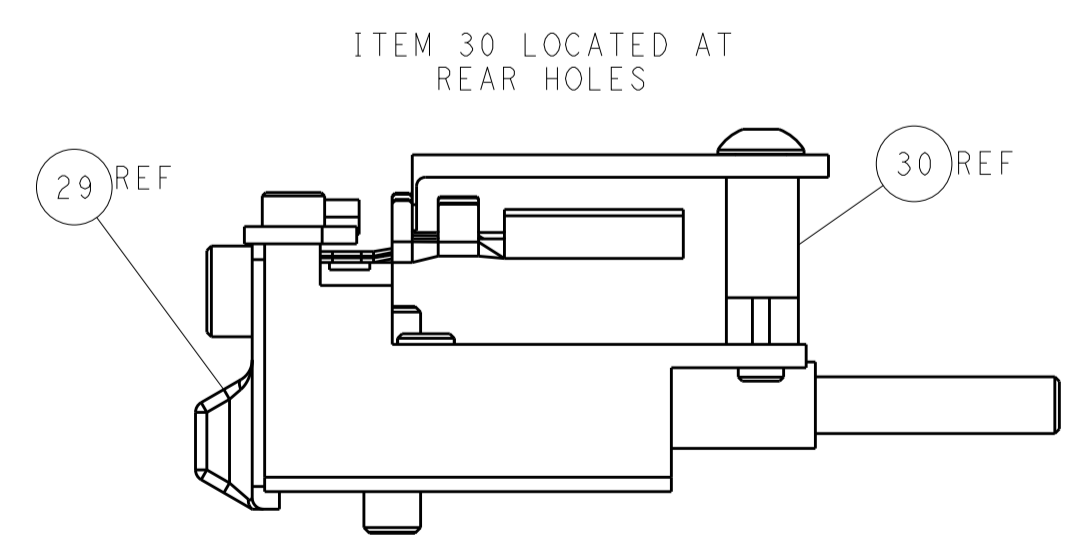
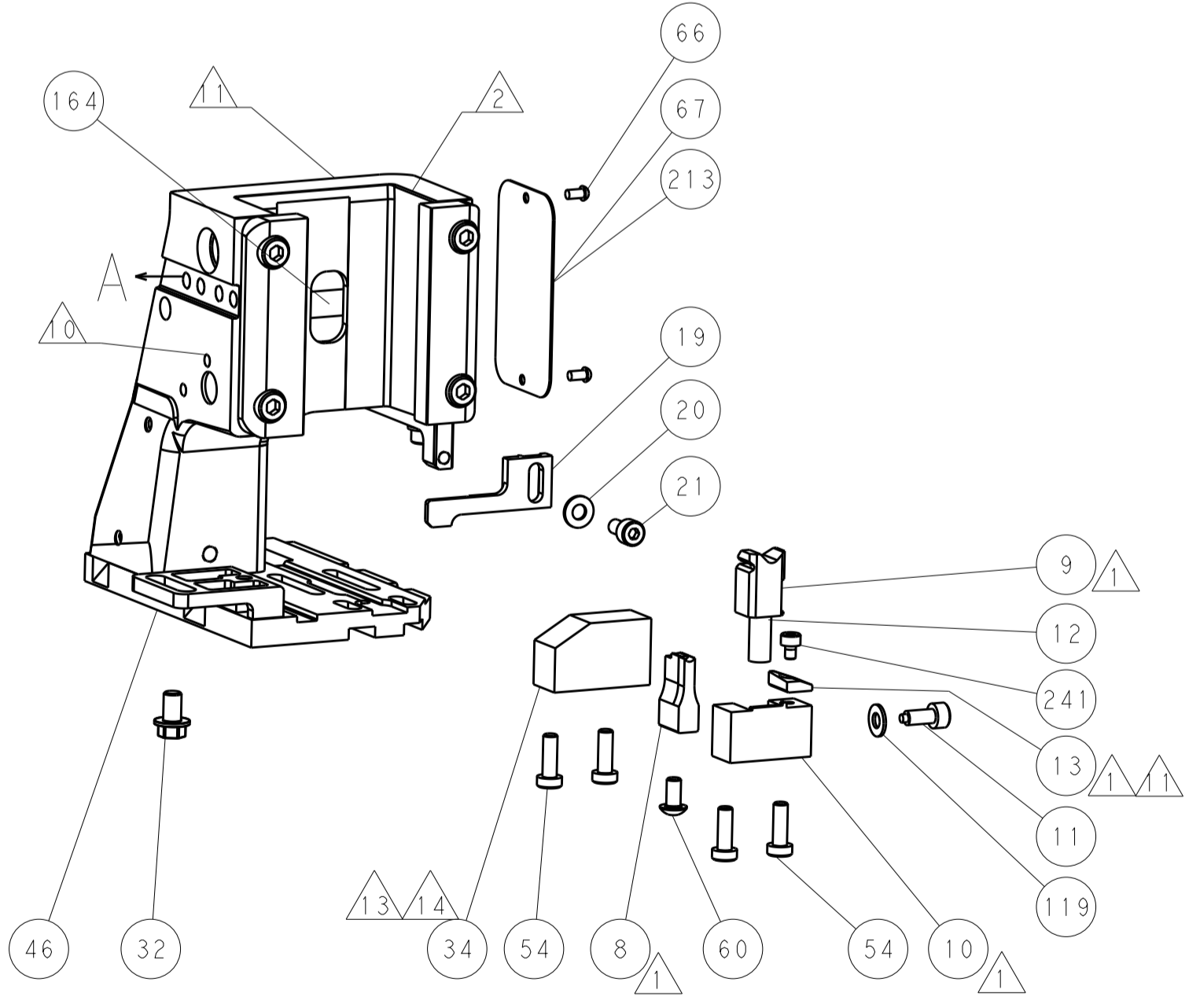
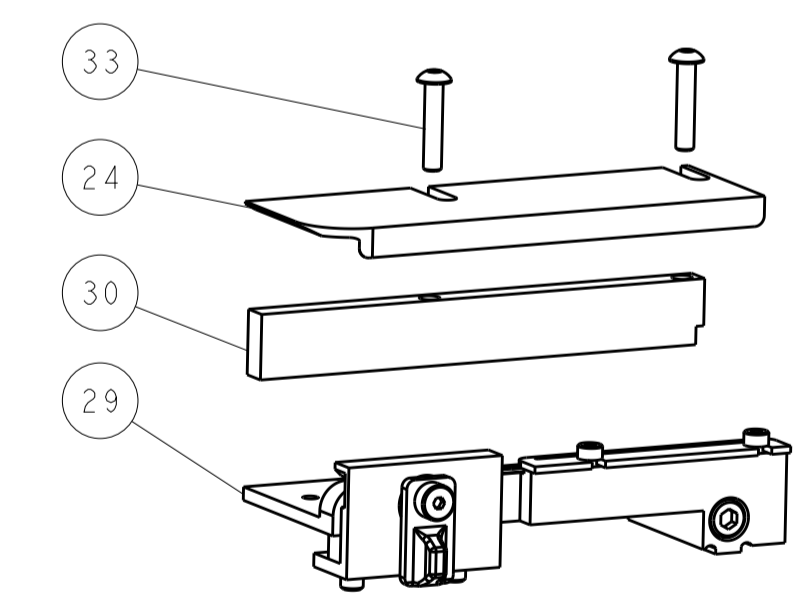
SERVO LATCH PLATE



CAM POSITIONS



TERMINAL SUPPORT LOCATION



ITEM 30 LOCATED AT REAR HOLES

FEED TRACK POSITION GUIDE BY INSULATION BARREL

ATLANTIC VERSION
 Shown on sheets 1 of 4 & 2 of 4
 (Pacific version shown on sheets 3 of 4 & 4 of 4)

DIMENSIONS:		TOLERANCES UNLESS OTHERWISE SPECIFIED:		DWG: R. KNEPPER 22-Oct-13		TE Connectivity	
mm	0 PLC ±	1 PLC ±	2 PLC ±	3 PLC ±	4 PLC ±	5 PLC ±	Harrisburg, PA 17105-3608
MATERIAL:		FINISH:		CHK: G. BAILEY 22-Oct-13		NAME: Ocean Side Feed Applicator	
				APVD: M. CLIFFORD 22-Oct-13		RESTRICTED TO:	
				PRODUCT SPEC:		SIZE: CAGE CODE: DRAWING NO:	
				APPLICATION SPEC:		A1 00779 ©=2266125	
				WEIGHT:		SCALE: 1:2 SHEET 2 OF 4 REV: C1	
				Customer Accessible Production Drawing		SHEETS 3 & 4 ARE NOT REQUIRED FOR ATLANTIC VERSION	

PACIFIC VERSION TERMINATOR INTERFACE ADAPTER	PART NUMBER	REVISION	DESCRIPTION	FEED TYPE
	2-2266125-1	C	FINE CRIMP HEIGHT ADJUST	MECHANICAL
	2-2266125-2	C	FINE CRIMP HEIGHT ADJUST	PNEUMATIC
	2-2266125-5	C	FINE CRIMP HEIGHT ADJUST	SERVO LATCH PLATE
	2-2266125-7	C	FINE CRIMP HEIGHT ADJUST	NONE
	7-2266125-7	C	CRIMP TOOLING KIT	-
	7-2266125-8	C	APPLICATOR CONVERSION KIT	-

APPLICATOR STYLE CONVERSION CHART									
CONVERT TO	PART NUMBERS REQUIRED								
PNEUMATIC FEED	2119950-1	1338685-1	5-18022-5	2119641-2	2119799-1	2063440-1			
SERVO LATCH PLATE	2119951-1	-	8-2266125-5	1901094-3	-	2168400-6 (QUANTITY 2)			
SMART APPLICATOR	2161326-1	-	8-2266125-4	-	-	-			
MECHANICAL FEED	2119949-1	1338685-1	5-18022-5	2119653-2	-	-			
SERVO LATCH PLATE	2119951-1	-	8-2266125-5	1901094-3	-	2168400-6 (QUANTITY 2)			
SMART APPLICATOR	2161326-1	-	8-2266125-4	-	-	-			
MECHANICAL FEED	2119949-1	1338685-1	5-18022-5	2119653-2	-	-			
PNEUMATIC FEED	2119950-1	1338685-1	5-18022-5	2119641-2	2119799-1	2063440-1			

APPLICATOR DATA		
CRIMP WIRE	SIZE	TYPE
	2.97 mm [.117]	F
INSUL	3.40 mm [.134]	O
APPLICATOR INSTRUCTIONS 408-10389		

APPLICATOR CONVERSION KITS	
PART NUMBER	INSULATION DIAMETER RANGE
7-2266124-8	Ø 3.83-4.47mm [.151-.176]
7-2266125-8	Ø 3.27-3.81mm [.129-.150]
7-2266126-8	Ø 2.87-3.25mm [.113-.128]

TERMINAL DATA: DEUTSCH TERMINAL DEUTSCH CRIMP SPECIFICATION			
TERMINAL NAME: STAMPED CONTACT PIN SIZE 12			
WIRE STRIP LENGTH		INSULATION DIAMETER RANGE	
5.71-6.99 mm [.225-.275 IN]		Ø 3.27-3.81 mm [.129-.150 IN]	
TERMINAL APPLICATION SPECIFICATION 0425-208-0000 Rev G			
TERMINALS APPLIED			
TE TERMINAL	DEUTSCH TERMINAL	TE TERMINAL	DEUTSCH TERMINAL
1572028-2	1060-12-0144	1572028-1	1060-12-0166

TERMINAL DATA: DEUTSCH TERMINAL DEUTSCH CRIMP SPECIFICATION			
TERMINAL NAME: STAMPED CONTACT SOCKET SIZE 12			
WIRE STRIP LENGTH		INSULATION DIAMETER RANGE	
5.71-6.99 mm [.225-.275 IN]		Ø 3.27-3.81 mm [.129-.150 IN]	
TERMINAL APPLICATION SPECIFICATION 0425-208-0000 Rev G			
TERMINALS APPLIED			
TE TERMINAL	DEUTSCH TERMINAL	TE TERMINAL	DEUTSCH TERMINAL
286955-2	1062-12-0144	286955-1	1062-12-0166

WIRE SIZE	CRIMP HEIGHT mm [INCH]	CRIMP HEIGHT REFERENCE SETTING
4.00mm2	2.24+0.03/-0.05 [.088+.001/-.002]	4.9
12 AWG	2.03+0.03/-0.05 [.080+.001/-.002]	7.2
3.00mm2	2.03+0.03/-0.05 [.080+.001/-.002]	7.4
2.50mm2	1.88+0.03/-0.05 [.074+.001/-.002]	8.3
14 AWG	1.78+0.03/-0.05 [.070+.001/-.002]	9.7
2.00mm2	1.78+0.03/-0.05 [.070+.001/-.002]	9.7

- RECOMMENDED SPARE PARTS
- GREASE BEARING SURFACES LIGHTLY
- LUBRICATE DAILY PER THE APPLICATOR INSTRUCTION SHEET SUPPLIED WITH THE APPLICATOR.
- APPLICATOR SPECIFIC DATA TO BE ENTERED INTO BLANK MEMORY CHIP AT ASSEMBLY. SEE BELOW FOR PART NUMBER:
 MECHANICAL FEED WITH "SMART APPLICATOR" CONVERSION: 8-2266125-4
 PNEUMATIC FEED WITH "SMART APPLICATOR" CONVERSION: 8-2266125-4
 SERVO FEED WITH "FINE CRIMP HEIGHT ADJUST": 8-2266125-5
- ADJUSTMENT OF THE STRIPPER MAY BE REQUIRED WHEN MOVING THE APPLICATOR BETWEEN BENCH AND LEADMAKER APPLICATIONS.
- APPLY PART NUMBER 1-23419-5 LOCTITE TO THREADS OF ITEMS 62. APPLY PART NUMBER 2-23419-6 LOCTITE TO THREADS OF ITEMS 242.
- GREASE THREADS, GROOVE AND O-RING ON ITEMS 139 & 152.
- MAGNET MUST BE ORIENTED CORRECTLY IN ORDER TO PROPERLY ACTUATE THE COUNTER.
- CRIMP HEIGHT REFERENCE SETTING WAS THE SETTING USED WHEN THE APPLICATOR WAS QUALIFIED AT THE FACTORY. ADJUSTMENT MAY BE NECESSARY WHEN RUNNING APPLICATOR IN THE FIELD.
- SPARE FEED CAM STORAGE LOCATION REFER TO INSTRUCTION SHEET FOR ADDITIONAL INFORMATION.
- TO CONVERT THE APPLICATOR TO A NON-CARRIER CUTTING STYLE, REMOVE ITEM 13 AND ATTACH TO THE LOCATION ON BACK SIDE OF THE HOUSING. REFER TO INSTRUCTION SHEET FOR ADDITIONAL INFORMATION.
- DIMENSION 2.00±0.50 [0.050±0.019] APPLIES TO PIN TERMINALS 1060-12-01XX.
- DIMENSION 7.92±0.50 [0.312±0.019] APPLIES TO SOCKET TERMINALS 1062-12-01XX.
- SEE APPROPRIATE APPLICATOR LOG SHEETS FOR APPLIED TERMINALS, WIRE RANGE AND MEMORY CHIP.
- TERMINAL LUBRICANT IS RECOMMENDED.

***WARNING**
 ON INSTALLATION, SET WIRE DISC, ITEM 40 TO LARGEST WIRE SIZE SETTING. USE OF SETTINGS BELOW MINIMUM REQUIRED CRIMP HEIGHT SETTING WILL CAUSE DAMAGE TO CRIMP TOOLING.

-	-	1	1	1	1	2119791-9	DEPRESSOR, WIRE	286
-	-	1	1	1	1	2119782-1	FINE ADJUST HEAD ASM, PACIFIC STYLE	251
-	-	-	-	1	-	2119640-1	PUSH ROD, AIR FEED	250
-78	-77	-27	-25	-22	-21	PART NO	DESCRIPTION	ITEM NO

PACIFIC VERSION
 Shown on sheets 3 of 4 & 4 of 4
 (Atlantic version shown on sheets 1 of 4 & 2 of 4)

SET UP GAUGE	LOC	DIST	REVISIONS			
2119599-1	A	66	REV	DATE	BY	APPV
			-	SEE SHEET 1	-	-

-	-	-	-	1	-	2079988-1	BUSHING, LCH5-12, MISUMI	249	
-	-	1	1	1	1	1-22279-3	SPRING, COMPRESSION	246	
-	-	1	1	1	1	2119082-9	CAM, SNAIL, INSULATION ADJUSTMENT	244	
-	-	1	1	1	1	2079764-1	WASHER, WAVE SPRING, CREST-TO-CREST	243	
-	-	1	1	1	1	2119083-1	RETAINER, INSULATION DIAL	242	
-	-	1	1	1	1	7-18023-7	SCR, SKT HD CAP M3 X 4.0	241	
-	-	-	-	2	-	2168400-6	SHCS, LOW HEAD, RoHS, M5 X 16	240	
-	-	-	-	-	1	2119580-1	MECHANICAL FEED ASSEMBLY	239	
-	-	-	-	-	1	2063440-1	AIR FEED MODULE	238	
-	-	-	-	1	-	2119740-2	TAG, IDENTIFICATION	213	
-	-	-	-	1	-	1901094-3	SPACER, FEEDER	198	
-	-	-	-	-	2	21045-3	RING, RETAIN, EXTERN, 3/16 CRESCENT	172	
-	-	1	1	1	1	994969-1	MAGNET, RARE EARTH HIGH ENERGY	166	
-	-	REF	REF	REF	REF	994970-2	COUNTER, MAGNETIC	164	
-	-	-	-	1	-	240638-1	SPRING, FEED FINGER	163	
-	-	1	1	1	1	8-21084-1	O-RING, .801 ID, .070 DIA. MAT.	152	
-	-	-	-	-	1	2119641-2	FEED CAM, AIR FEED	151	
-	-	1	1	1	1	2119798-2	DETENT PIN	145	
-	-	1	1	1	1	2079383-8	SCR, BHSC, RoHS (M4 X 16)	144	
-	-	4	4	4	4	2168400-5	SHCS, LOW HEAD, RoHS, M4 X 20	143	
-	-	-	-	-	1	2119653-2	FEED CAM, POST FEED	142	
-	-	1	1	1	1	1-2119656-0	APPLICATOR BASIC ASSEMBLY, SF	141	
-	-	1	1	1	1	2119650-1	RAM, ASIAN STYLE, SIDE FEED	140	
-	-	1	1	1	1	2119092-2	BOLT, ADJUSTMENT	139	
-	-	-	-	1	-	3-23627-7	PIN, RETAIN, GRVD, 3/16 X .854	137	
-	-	-	-	-	1	2119799-1	HOLDER, FEED FINGER, AF	136	
-	-	-	-	REF	-	SEE NOTE 4	MEMORY CHIP, PROGRAMMED	135	
-	-	-	-	1	-	1633743-1	SERVO FEED LATCH ASM	133	
-	-	1	1	1	1	1-18028-2	WASHER, FLAT, REG M4	119	
-	-	-	-	REF	-	2119944-1	FEED FINGER ASSEMBLY, SF	117	
-	-	1	1	1	1	2119955-1	ASSY, LUBRICATOR, SIDE FEED	113	
-	-	1	1	1	1	455888-5	SPACER, CRIMPER	82	
1	-	-	-	-	-	2266125	PRINT, APPLICATOR LOG SHEET	72	
-	-	1	1	1	1	2119956-1	DOCUMENTATION PACKAGE	71	
-	-	1	1	1	1	2119791-9	DEPRESSOR, WIRE	70	
-	-	1	-	-	1	2119740-1	TAG, IDENTIFICATION	67	
-	-	2	2	2	2	2168078-1	SCREW, DRIVE, RH, RoHS, 2 x .188	66	
-	-	1	1	1	1	2119793-1	LIMITER, ADJUSTMENT BOLT	63	
-	-	3	3	3	3	992763-5	SCR, SET, SOC, CONE POINT, M3 X 4.0	62	
-	-	-	-	-	1	1	5-18022-5	SCR, HEX HD CAP, M4 X 6.0	59
-	-	-	-	-	1	1	1338685-1	PAWL, FEED	56
2	-	2	2	2	2	2168083-3	SCR, SKT HD CAP, RoHS, M4 X 12.0	53	
-	-	1	1	1	1	5018030-1	NUT, HEX, REG, RoHS, M3	52	
-	-	1	1	1	1	811242-5	BUMPER, HOLD DOWN	51	
-	-	1	1	1	1	690753-2	SPACER, TONKER	50	
-	-	-	-	-	1	2	18023-9	SCR, SKT HD CAP M4 X 6.0	49
-	-	-	-	-	1	1	2119652-1	FEED CAM, PRE FEED	48
-	-	1	1	1	1	2079383-7	SCR, BHSC, RoHS (M8 X 25)	41	
-	-	1	1	1	1	2119645-1	DISC, NUMBERED FA WIRE ADJUSTMENT	40	
-	-	1	1	1	1	2119957-1	APPLICATOR SHIM PACK	39	
1	-	1	1	1	1	2119644-2	RAM WASHER, PRECISION	38	
-	-	1	1	1	1	1752356-6	SUPPORT, TERMINAL	34	
-	-	2	2	2	2	2079383-5	SCR, BHSC, RoHS (M4 X 20)	33	
-	-	1	1	1	1	2161328-1	HEX HEAD, FLANGED, M5 X 8mm LONG	32	
-	-	1	1	1	1	1-1320908-0	SPACER, STRIP GUIDE	30	
-	-	1	1	1	1	2119959-1	ASSEMBLY, STRIP GUIDE	29	
-	-	1	1	1	1	1320928-6	STRIP GUIDE	24	
-	-	1	1	1	1	2168083-2	SCR, SKT HD CAP, RoHS, M4 X 8.0	21	
-	-	1	1	1	1	1-18028-2	WASHER, FLAT, REG M4	20	
-	-	1	1	1	1	2119533-1	STRIPPER, SIDE FEED	19	
-	-	1	1	1	1	2119806-1	INSERT, SHEAR	13	
-	-	1	1	1	1	3-22280-3	SPRING, COMPRESSION	12	
-	-	1	1	1	1	1-356885-4	STOP, SHEAR	11	
-	-	1	1	1	1	2119805-1	SHEAR HOLDER, FRONT	10	
-	-	1	1	1	1	1803095-1	FLOATING SHEAR, FRONT	9	
1	1	1	1	1	1	2-1803293-1	ANVIL, COMBINATION DEUTSCH STYLE	8	
-	-	1	1	1	1	3-240641-7	SPACER	7	
-	-	-	-	-	-	-	-	6	
1	-	1	1	1	1	1-2119757-3	DEPRESSOR, SHEAR	5	
-	-	1	1	1	1	238011-2	BLOCK, CRIMPER SPACER	4	
1	1	1	1	1	1	2-1803019-7	CRIMPER, INSULATION O	3	
-	-	1	1	1	1	455888-6	SPACER, CRIMPER	2	
-	-	1	1	1	1	4-1633713-6	CRIMPER, WIRE PREMIUM	1	
-78	-77	-27	-25	-22	-21	PART NO	DESCRIPTION	ITEM NO	

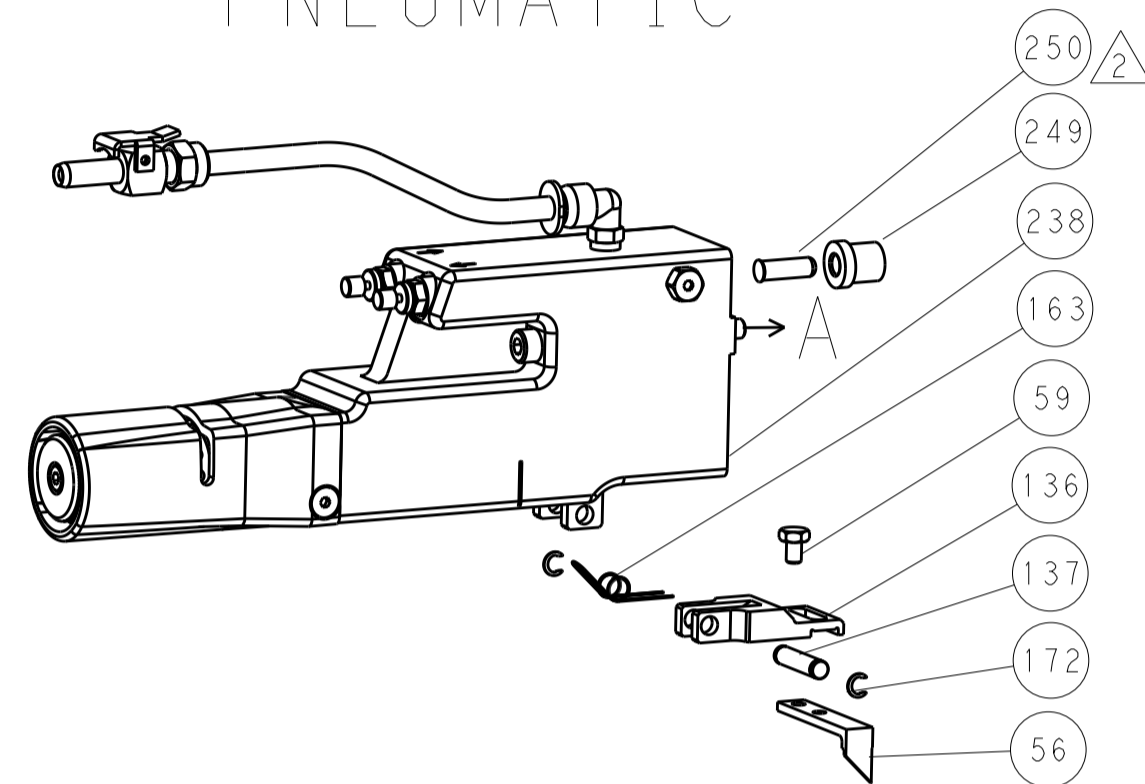
DIMENSIONS:		TOLERANCES UNLESS OTHERWISE SPECIFIED:		APPROVED:		DATE:	
mm	0 PLC ±	1 PLC ±	2 PLC ±	APV	DR	22-Oct-13	22-Oct-13
	3 PLC ±	4 PLC ±	ANGLES ±	NAME	NAME		
	FINISH						
MATERIAL				WEIGHT	SCALE	SHEET	REV
					1:2	3 OF 4	C1

REV. NO.		REVISIONS		
LOC	DIST	DATE	BY	APPV
A	66			
		SEE SHEET 1		

FEED TYPE MECHANICAL



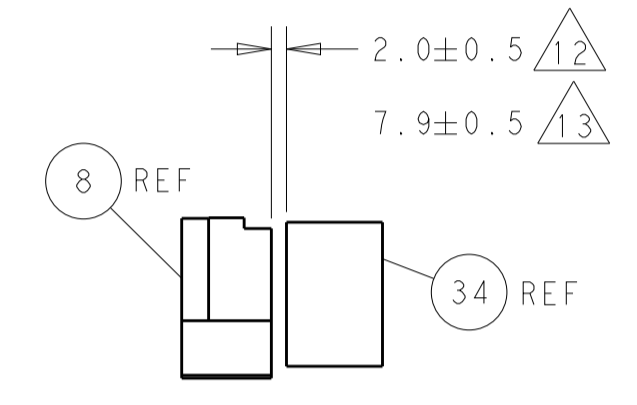
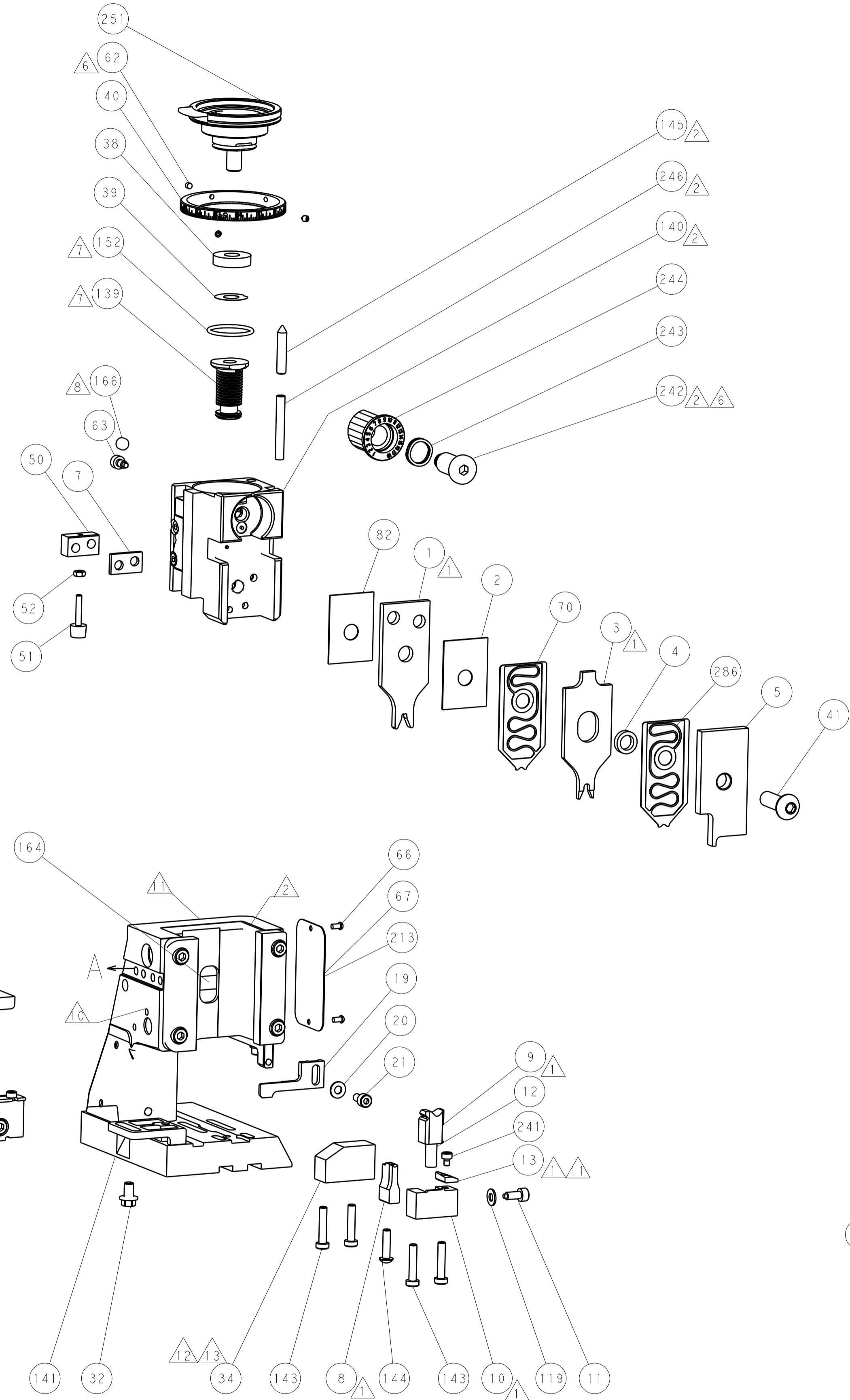
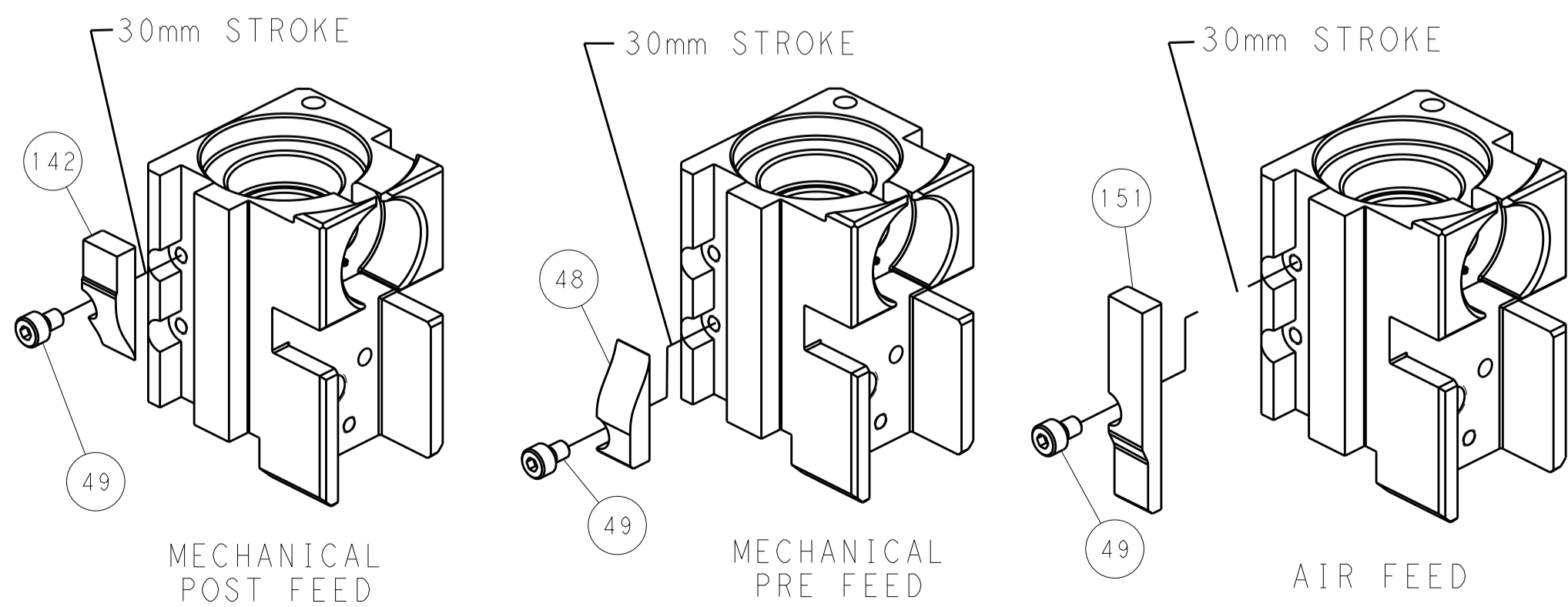
PNEUMATIC



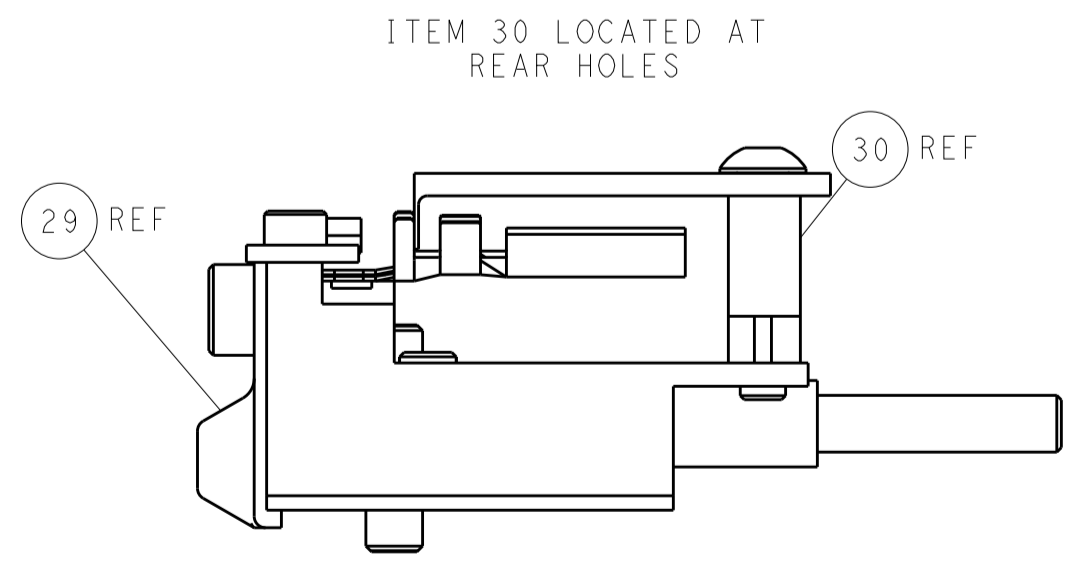
SERVO LATCH PLATE



CAM POSITIONS



TERMINAL SUPPORT LOCATION



FEED TRACK POSITION GUIDE BY INSULATION BARREL

PACIFIC VERSION
 Shown on sheets 3 of 4 & 4 of 4
 (Atlantic version shown on sheets 1 of 4 & 2 of 4)

DIMENSIONS: mm 		TOLERANCES UNLESS OTHERWISE SPECIFIED: 0 PLC ± 1 PLC ± 2 PLC ± 3 PLC ± 4 PLC ± ANGLES ±		DWN R. KNEPPER 22-Oct-13 CHK G. BAILEY 22-Oct-13 APVD M. CLIFFORD 22-Oct-13 PRODUCT SPEC APPLICATION SPEC WEIGHT SCALE 1:2 SHEET 4 OF 4 REV C1		STE TE Connectivity Harrisburg, PA 17105-3608 NAME Ocean Side Feed Applicator SIZE CAGE CODE DRAWING NO. A1 00779 C=2266125 RESTRICTED TO	
-----------------------	--	---	--	--	--	---	--