

# Magnetorque Non-Contacting Steering Torque Sensor

SX-4400



## Features:

- Ideally suited for demanding electric power steering systems

~~Pb~~ **RoHS 2 compliant**

## Electrical

Supply Voltage	4.5 to 5.5 VDC
Linearity	±3%
Hysteresis	±1.3%
Microgradient	±30% of theoretical slope over 0.4° interval
Sensed Angle	±5°
Supply Current	8 to 16 mA
Clamp Low	8 to 12%
Clamp High	88 to 92%
Sensitivity	0.388 to 0.412 V/°

## Mechanical

Mechanical Travel, Input Rotor	Continuous
Mechanical Travel, Output Rotor	Continuous
Turning Torque (rotor to rotor)	0 NM (non-contacting)
Turning Torque (input rotor to housing)	0 NM (non-contacting)
Turning Torque (output rotor to housing)	0.05 NM maximum
Weight	101grams maximum

## Environmental

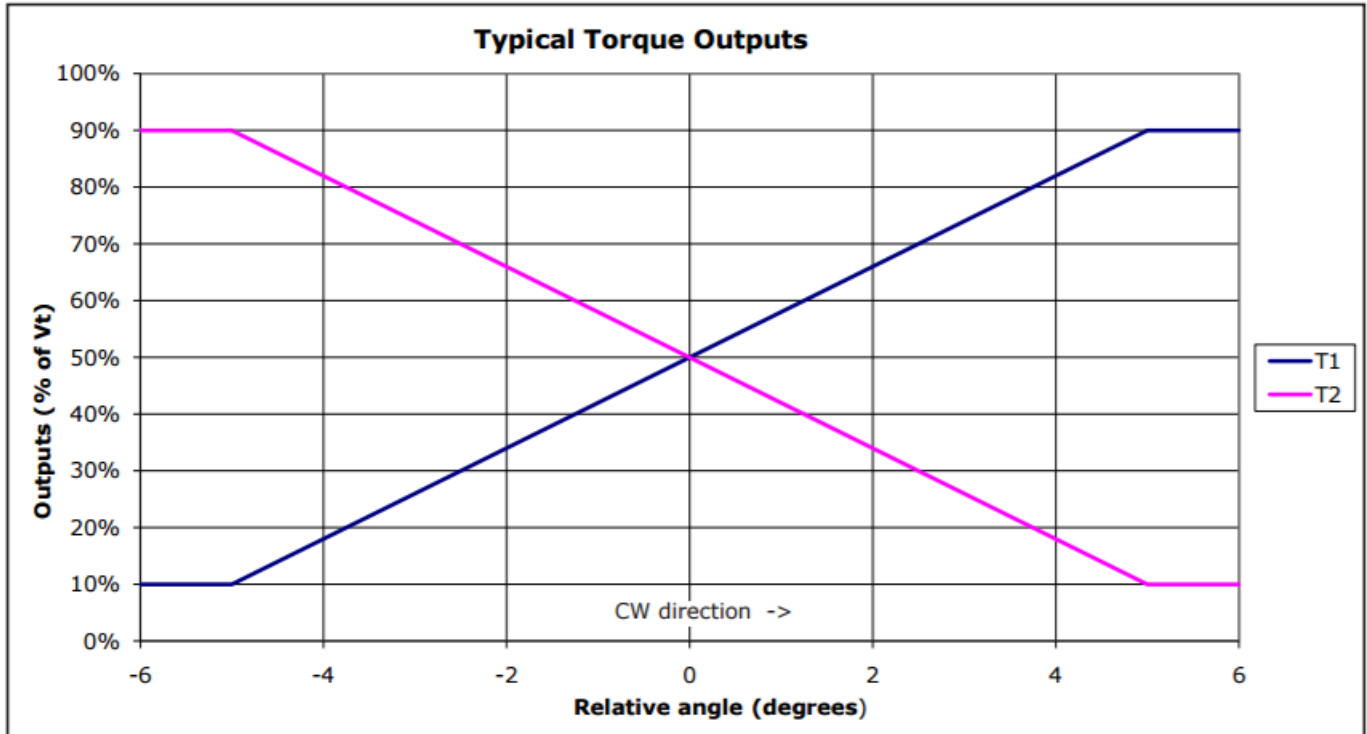
Operating Temperature Range	-40°C to +85°C
Vibration	10 to 55 Hz with 1 mm P-P constant displacement, 120 hours each of 3 planes
Input Rotor Rotational Life	Infinite (floating)
Output Rotor Rotational Life	10 million cycles
Storage Temperature Range	-55°C to +125°C

### General Note

TT Electronics reserves the right to make changes in product specification without notice or liability. All information is subject to TT Electronics' own data and is considered accurate at time of going to print.

TT Electronics | BI Technologies  
4200 Bonita Place, Fullerton, CA 92835-1053, USA | Ph: +1 714 447 2300  
www.ttelectronics.com | sensors@ttelectronics.com

## Output Charts

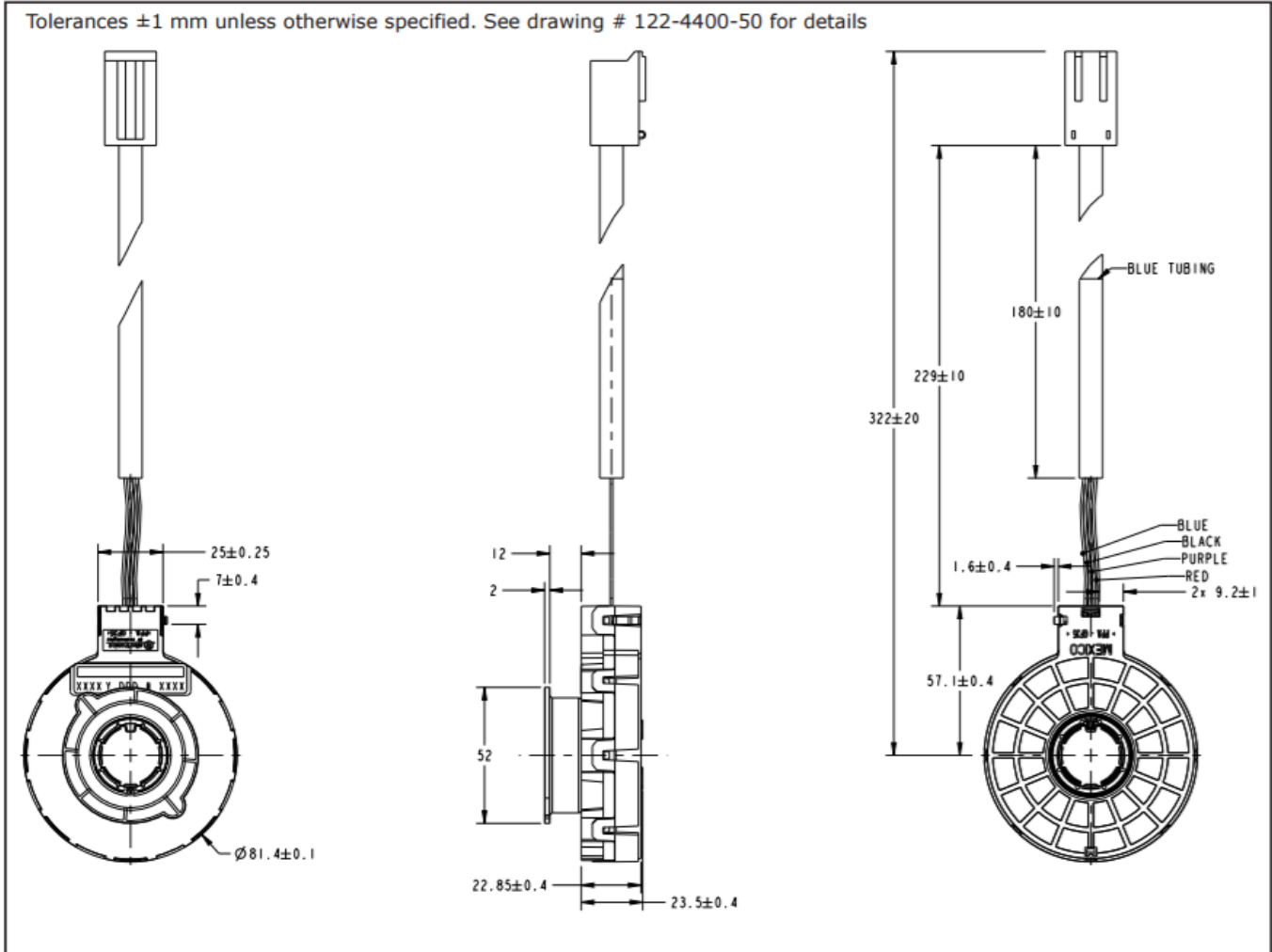


### General Note

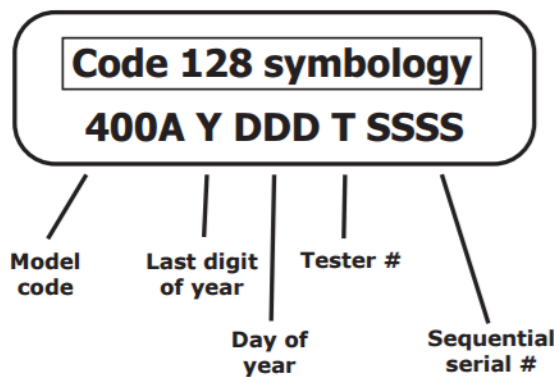
TT Electronics reserves the right to make changes in product specification without notice or liability. All information is subject to TT Electronics' own data and is considered accurate at time of going to print.

TT Electronics | BI Technologies  
4200 Bonita Place, Fullerton, CA 92835-1053, USA | Ph: +1 714 447 2300  
www.ttelectronics.com | sensors@ttelectronics.com

## Outline Drawing



## Barcode Label



### General Note

TT Electronics reserves the right to make changes in product specification without notice or liability. All information is subject to TT Electronics' own data and is considered accurate at time of going to print.

TT Electronics | BI Technologies  
 4200 Bonita Place, Fullerton, CA 92835-1053, USA | Ph: +1 714 447 2300  
[www.ttelectronics.com](http://www.ttelectronics.com) | [sensors@ttelectronics.com](mailto:sensors@ttelectronics.com)

# Magnetorque Non-Contacting Steering Torque Sensor

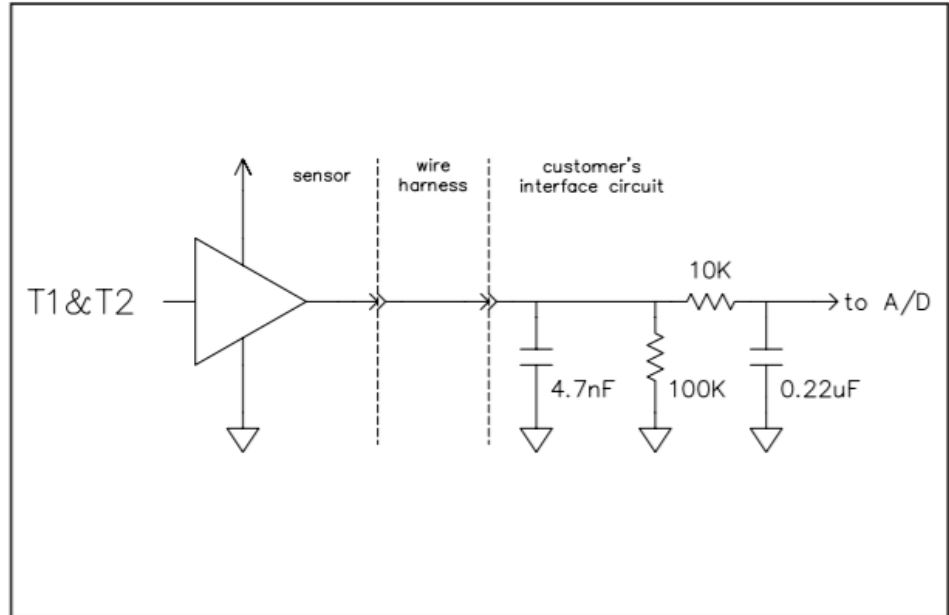


## Pinouts & Recommended Interface

PIN No.	SIGNAL	WIRE COLOR
1	VCC	RED
2	GND	BLACK
3	N/A	N/A
4	T1	BLUE
5	T2	PURPLE
6	N/A	N/A

YASAKI MATING CONNECTOR #7123-8365  
CONNECTOR FRONT VIEW



### General Note

TT Electronics reserves the right to make changes in product specification without notice or liability. All information is subject to TT Electronics' own data and is considered accurate at time of going to print.

TT Electronics | BI Technologies  
4200 Bonita Place, Fullerton, CA 92835-1053, USA | Ph: +1 714 447 2300  
www.ttelectronics.com | sensors@ttelectronics.com