

# Datasheet

## Subsea Acoustic Data Logger System



### Description

Sonardyne's new generation of Subsea Acoustic Data Logger System uses a spread spectrum, high speed acoustic link to allow large volumes of logged data to be rapidly and accurately retrieved at the surface.

When combined with the feature of ROV portability, the system is the ideal solution for initial well appraisal, where frequent downhole pressure and temperature readings need to be logged over a period of a few weeks. However, the new system is equally suitable for long-term deployments where it may remain installed on a wellhead, logging data for several years without intervention.

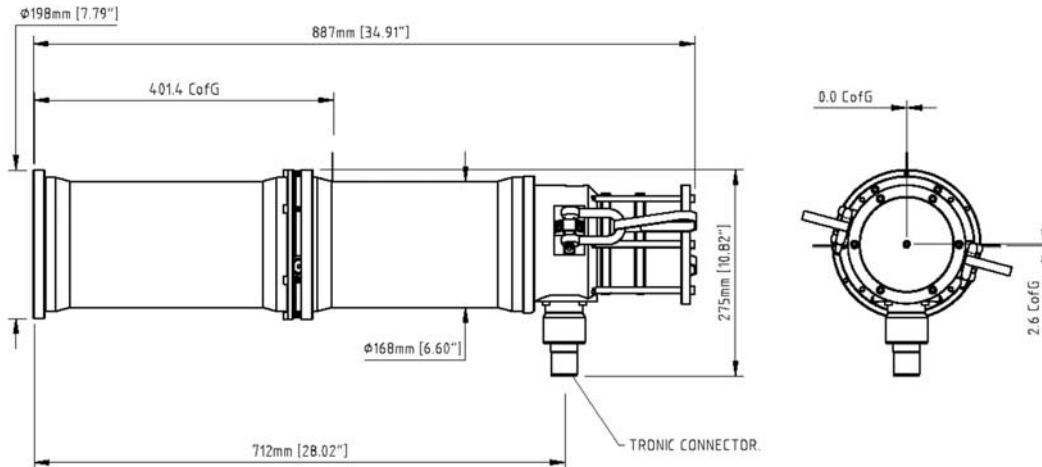
The latest system is ideal for initial well appraisal and can easily be moved between wells by ROV. It uses a high speed acoustic data link for rapid retrieval of the large volumes of downhole data often associated with well appraisal activities. As such, the subsea unit can be interfaced to all industry standard downhole gauges whilst custom interfaces can be supplied on request.

### Key Features

- Designed for ROV deployment and retrieval
- Easily moved between wells
- High speed, spread spectrum acoustic data link
- Interfaces to all industry standard gauges
- Depth rated to over 10,000 feet (3,000 Metres)
- Fully adjustable data logging rate
- Long-life seabed deployment

# Specifications

## Subsea Acoustic Data Logger System



Feature	Type 8057
Depth Rating	3,000 Metres
Operating Frequency	LF (14–19kHz)
Transducer Beamshape	±90° (Shallow) ±30° (Deep)
Transmit Source Level (dB re 1µPa @ 1m)	192dB (Shallow) 202dB (Deep)
Receiver Threshold (dB re 1µPa)	<100 dB
Power	Long Life Lithium
Typical Battery Life (assuming 3 gauges)	
At a reading rate of: 1 reading every 10 minutes	230 days
1 reading every hour	2.5 years
1 reading every day	5 years
Acoustic Data Link	High Speed, Spread Spectrum
Acoustic Data Transmission Rate	600 Baud (True payload rate- raw data rate is 1200 Baud)
Data Storage Capacity	8Mb Standard (Expandable to 16Mb)
External Interfaces	Analogue or Serial
	1x Gauge √F 1x Serial Port
External connectors	ROV Mateable
Battery Storage	14.5 V
ROV Transportable	Yes
Mechanical Construction	Super Duplex Stainless Steel
Weight in Air	70kg
Weight in Water	50kg

Note 1. The standard 8Mb capacity represents more than 3 years of data storage, at one reading (of 3 gauges) every 10 minutes. For virtually all practical applications, there will be substantial memory capacity left unused at the end of the deployment, as the memory usage life will typically exceed the life of the internal battery pack.