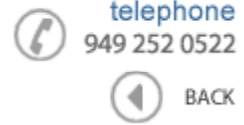




Data Sheet



Product Category: IF SAW Filter

Part Number: 835-IF70.0M-KA Package: 35.0 x 12.8 Thru Hole Application: Base Station & Repeater Last Modified: May 24 2003

TYPE :
70.0 MHz Bandpass Filter
18.6 MHz Bandwidth

PART NUMBER :
835-IF70.0M-KA

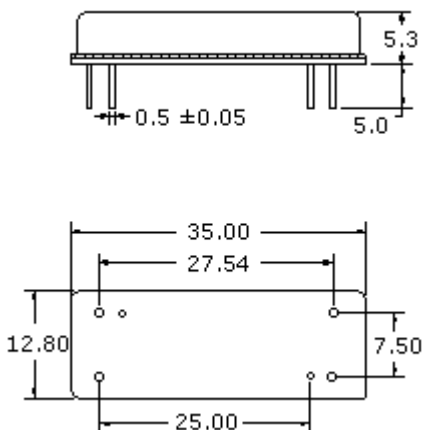


OPERATING CONDITIONS / ELECTRICAL CHARACTERISTICS

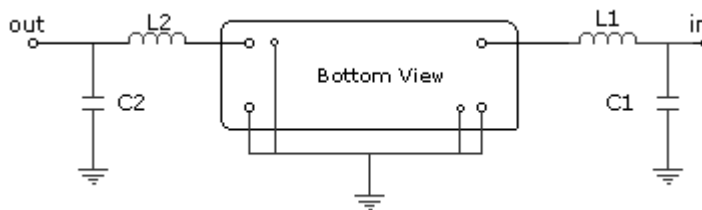
PARAMETERS	Minimum	Typical	Maximum	Units
Center Frequency	69.94	70.00	70.06	MHz
Insertion Loss	-	25.5	27.0	dB
1dB Bandwidth	18.40	18.45	-	MHz
3dB Bandwidth	18.60	18.65	-	MHz
40dB Bandwidth	-	19.50	19.60	MHz
50dB Bandwidth	-	19.60	19.70	MHz
Passband Ripple	-	0.60	1.0	dB
Group Delay Variation	-	55	100	nsec
Absolute Delay	-	4.43	-	µsec
Ultimate Rejection	50	55	-	dB

* Custom SAW IF Filters available. Contact Oscilent for assistance.

PACKAGE OUTLINE (mm)



TEST FIXTURE



L1 = 100nH C1 = 36pF
L2 = 120nH C2 = 0pF
Source/Load Impedance = 50 ohms

Oscilent Corporation - CALL 949.252.0522
17962 Sky Park Circle, Building D, Irvine, CA 92614, USA
Fax: 949.252.0599, E-Mail: Sales@Oscilent.com

Part No.: 835-IF70.0M-KA

[Crystal Oscillators](#) | [Quartz Crystal](#) | [TCXO](#) | [VCXO](#) | [IF SAW Filter](#) | [RF SAW Filter](#) | [Ceramic Resonator](#)
[Crystal Filter](#) | [Ceramic Filter](#) | [SAW Filter / SAW Devices](#) | [Site Map](#)