

T1/CEPT/ISDN-PRI 3KV - REINFORCED SMD TRANSFORMERS

- 🏠 For T1/CEPT/ISDN-PRI Telecommunications Applications
- 🏠 Designed to Meet CCITT and FCC Requirements
- 🏠 Designed for Majority of Line Interface Transceiver Chips
- 🏠 Package meets UL 94-V0 Flammability
- 🏠 3KV Reinforced Insulation to EN60950
- 🏠 Dual Core SMD Package

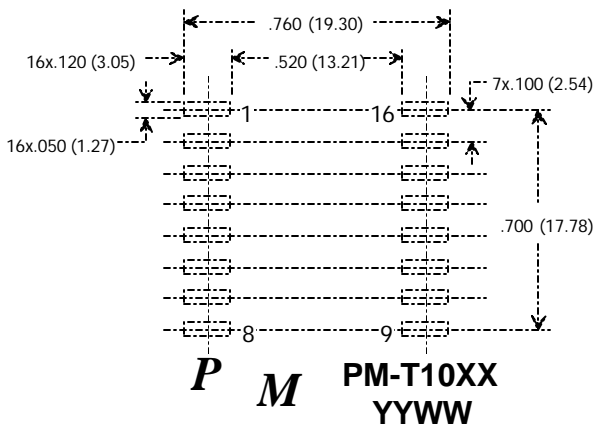
EXTENDED TEMP RANGE

ELECTRICAL SPECIFICATIONS AT 25°C - OPERATING TEMPERATURE RANGE -40°C TO +85°C

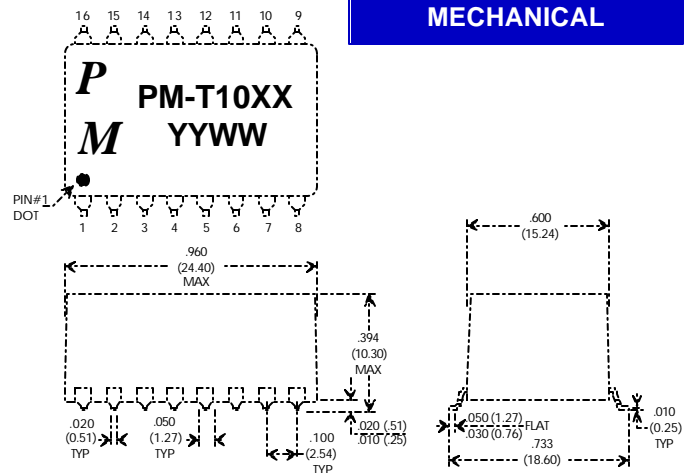
PART NUMBER	TURNS RATIO PRI : SEC (± 3%)	PRIMARY OCL (mH Min.)	PRIMARY L _p (mH Max.)	PRI-SEC Cw/w (pf Max.)	PRIMARY/SEC DCR (Ohms Max.)	PRIMARY PINS	Package / Schematic
PM-T1030	1ct:1ct & 1ct:1ct	1.20 & 1.20	1.00	50	0.80 / 0.80	1-3 & 6-8	A
PM-T1031	1ct:1ct & 1ct:2ct	1.20 & 1.20	1.00	50	0.80 / 1.00	1-3 & 6-8	A
PM-T1032	1ct:1.15ct & 1ct:1ct	1.60 & 1.60	1.20	50	0.80 / 0.90	16-14 & 6-8	A
PM-T1033	1ct:1.15ct & 1ct:1.15ct	1.20 & 1.20	1.00	50	0.80 / 0.90	1-3 & 6-8	A
PM-T1034	1ct:1.15ct & 1ct:2ct	1.50 & 1.20	1.00	50	0.80 / 1.00	16-14 & 6-8	A
PM-T1036	1ct:1.36ct & 1ct:1.36ct	1.20 & 1.20	1.00	50	0.80 / 1.00	1-3 & 6-8	A
PM-T1037	1ct:1.41ct & 1ct:1.41ct	1.20 & 1.20	1.00	50	0.80 / 1.00	16-14 & 11-9	A
PM-T1038	1ct:1ct & 1ct:1.36ct	1.20 & 1.20	1.00	50	0.80 / 1.00	1-3 & 6-8	A
PM-T1039	1ct:2ct & 1ct:1.08ct	1.20 & 1.20	1.00	50	0.80 / 1.00	16-14 & 6-8	A
PM-T1043	1ct:2ct & 1ct:1.14ct	1.20 & 1.20	1.00	50	0.80 / 1.00	16-14 & 6-8	A
PM-T1044	1ct:2ct & 1ct:1.36ct	1.20 & 1.20	1.00	50	0.80 / 1.00	16-14 & 6-8	A
PM-T1045	1ct:2ct & 1ct:2ct	1.20 & 1.20	1.00	50	0.80 / 1.00	16-14 & 6-8	A
PM-T1055	1ct:2ct & 1ct:2ct	1.20 & 1.20	1.00	50	0.80 / 1.00	16-14 & 11-9	A
PM-T1060 ⁽¹⁾	1:1.26tp & 1:1.26tp	1.50 & 1.50	0.90	50	0.80 / 1.00	1-3 & 6-8	B

(1) Dual Ratio Transformers, tp = tapped as follows PM-T1060: CORE A = PINS 16-14 : PINS 1-3 = 1:1.26 ; PIN S15-14 : PIN S1-3 = 1:1.00
CORE B = PINS 11-09 : PINS 6-8 = 1:1.26 ; PIN S10-09 : PINS 6-8 = 1:1.00

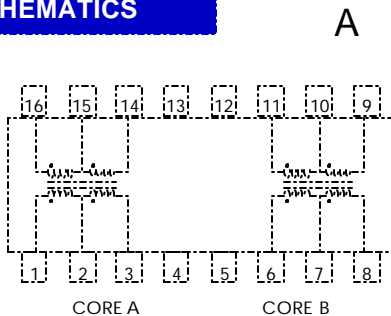
PCB LAYOUT



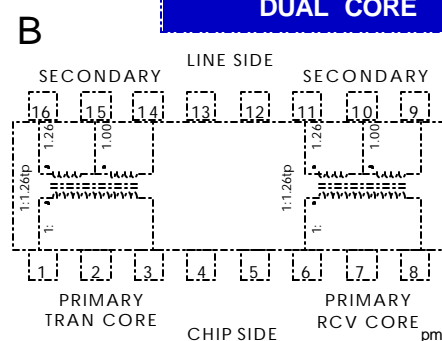
MECHANICAL



SCHEMATICS



DUAL CORE



Specifications subject to change without notice.

pmt10xx 6/98



T1/CEPT/ISDN-PRI 3KV - REINFORCED SMD TRANSFORMERS

CROSS REFERENCE LISTING

<u>PREMIER PART#</u>	<u>X-REF NAME & PART#</u>
PM-T1045	=Pulse T1045, PM is EXTENDED TEMP
PM-T1030 (Ext. Temp)	Pulse T1030
PM-T1031 (Ext. Temp)	Pulse T1031
PM-T1034 (Ext. Temp)	Pulse T1034
PM-T1036 (Ext. Temp)	Pulse T1036
PM-T1037 (Ext. Temp)	Pulse T1037
PM-T1039 (Ext. Temp)	Pulse T1039
PM-T1043 (Ext. Temp)	Pulse T1043
PM-T1044 (Ext. Temp)	Pulse T1044
PM-T1045 (Ext. Temp)	Pulse T1045