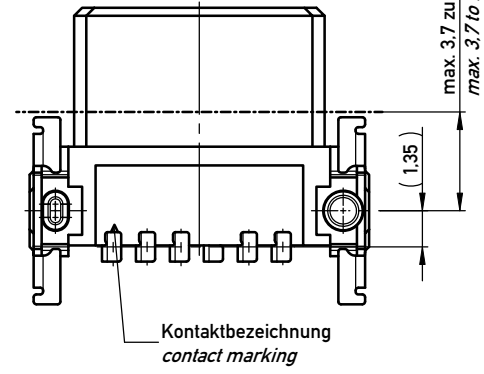
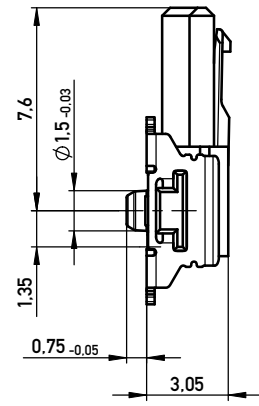
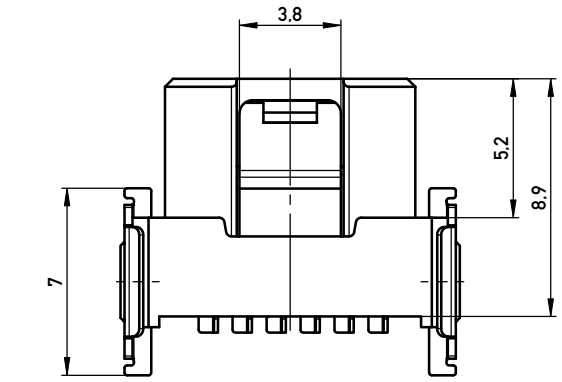
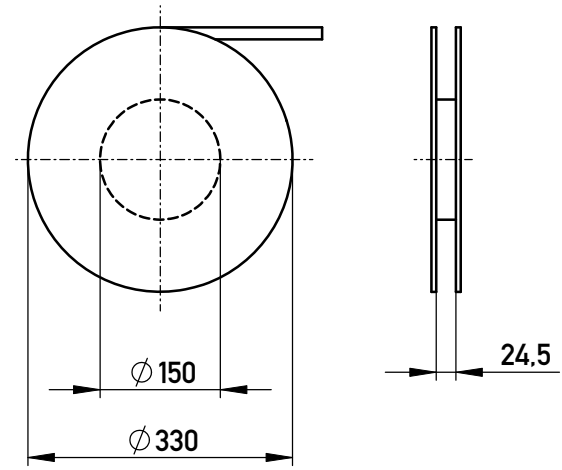
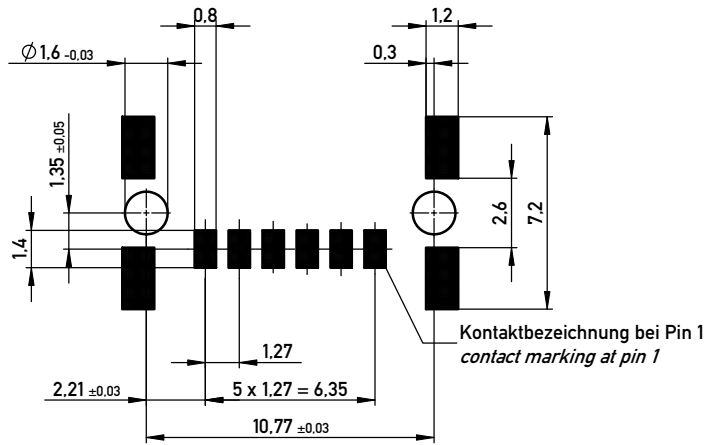
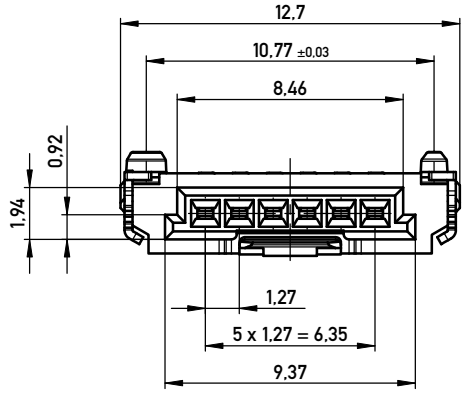
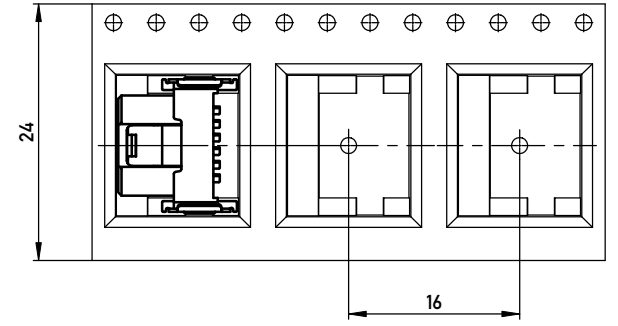


Leiterplatten-Layout Vorschlag für SMT
PCB-Layout Proposal for SMT

Verpackt in Gurtverpackung - *Tape on Reel Packaging*
Verpackungseinheit: 850 Stück - *Packaging unit: 850 pcs*



Abspulrichtung - *Reel off Direction*



Anforderungsstufe 1
Performance Level 1

Kontaktbereich vergoldet
Mating Area gold plating

Anschlussbereich verzinkt 4-6 µm
Terminal Area 4-6 µm tin plating

Koplanarität der Anschlüsse ≤ 0.1 mm
Coplanarity Area of Termination ≤ 0.1 mm

Copyright by ERNI GmbH
Proprietary notice pursuant to ISO 16016 to be observed.

Information: nur mit Hilfsmittel lösbar <i>only with tool unlockable</i>		Tolerances		Scale 5:1	mit Verriegelung <i>with locking mechanism</i>	
All rights reserved. Only for Information. To ensure that this is the latest version of this drawing, please contact one of the ERNI companies before using.		Subject to modification without prior notice. Drawing will not be updated.		Designation 1.27 SRC P, 6-polig 1.27 SRC P, 6-pin		
ERNI		www.ERNI.com		384803		I
a	08.06.2010					A3
Index	Date			Class SRCP		