

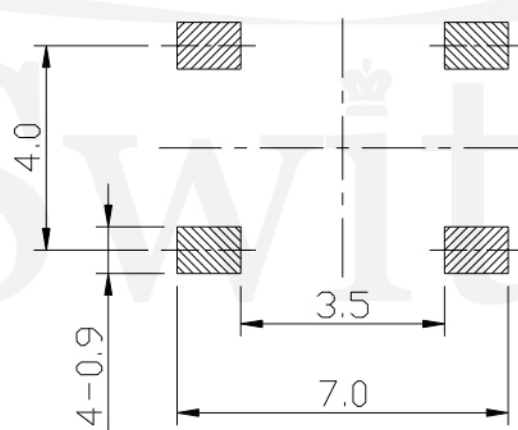
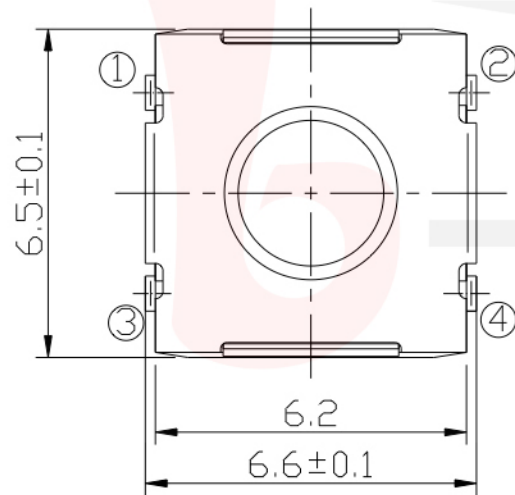
### GT-TC125X-HXXX-LX

G-SWITCH

**Operating Force**  
 A=160gf  
 B=250gf  
 D=350gf

**Switch Height (mm)**  
 H031=3.1mm  
 H034=3.4mm  
 H043=4.3mm  
 H050=5.0mm

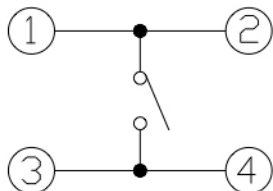
**Switch lifetime (Force)**  
 L1=100,000 Cycles(D)  
 L3=300,000 Cycles(A, B)  
 L5=500,000 Cycles(A, B)



### P.C.B LAND DIMENSION

**G-Switch Specification:**

Operating temperature range : -30°Cto+85°C  
 Rating : 50mA.12V DC  
 Insulation resistance : 100MΩ min.100V DC  
 Dielectric strength : 250V AC for 1 min  
 Contact resistance : 100m Ω max.  
 Travel:0.35±0.1mm



**CIRCUIT DIAGRAM**



### G-Switch Electronic (HongKong) CO.,Ltd

Unless otherwise specified, Tolerance: X.           ±0.30 X.x          ±0.20 X.xx         ±0.15 X.xxx       ±0.10 Angles      ±3°	DESIGN FengFengChen	DATE 2019.05.29	Molde code:		
	CHECKED	DATE	GT-TC125X-HXXX-LX		
	APPROVED	DATE			
	<a href="http://www.dg-switch.com">http://www.dg-switch.com</a>		REV.: X1	SCALE: 4:1	UNIT: mm
TEL:0769-82388879	SIZE: A4	SHEET: 1/1			