

IPC-5122

Desktop/Wallmount Chassis for MicroATX Motherboard



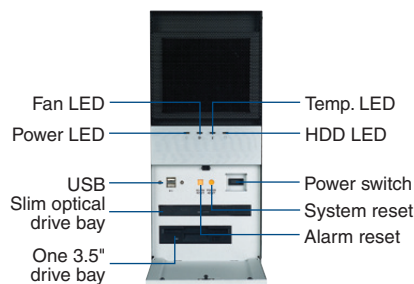
Features

- Streamlined in-chassis airflow design
- Supports up to four expansion slots
- Shock-proof and anti-vibration drive bay design for industrial applications
- Optional 80 plus bronze 300 W or 400 W power supply
- Smart monitor system and LED indication for system faults detection
- Easy-to-maintain system fan and reusable air filter



Specifications

Drive Bay	Slim Optical Drive	Front-accessible	Internal
	3.5"	1	1
Cooling	Fan	1 (12 cm / 85 CFM)	
	Air Filter	Yes	
Front I/O Interface	USB	2	
Miscellaneous	LED Indicators	Power, HDD, fan and temperature	
	Control	Power switch, alarm reset and system reset buttons	
	Rear Panel	Six 9-pin D-Sub openings	
Environment		Operating	Non-Operating
	Temperature	0 ~ 40° C (32 ~ 104° F)	-20 ~ 60° C (-4 ~ 140° F)
	Humidity	10 ~ 85% @ 40° C, non-condensing	10 ~ 95% @ 40° C, non-condensing
	Vibration (5 ~ 500 Hz)	1 Grms	2 G
	Shock	10 G (with 11 ms duration, half sine wave)	30 G
Physical Characteristics	Dimensions (W x H x D)	157 x 360 x 340 mm (6.2" x 14.2" x 13.4")	
	Weight	6.5 kg (14.3 lb)	



Inside view



Rear view



Easy-open door

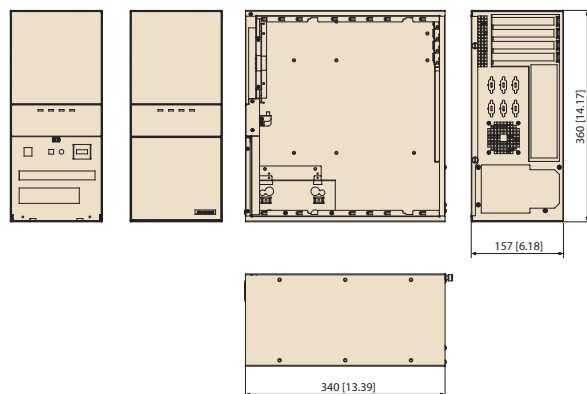


Gently press the hook to pull the air filter out



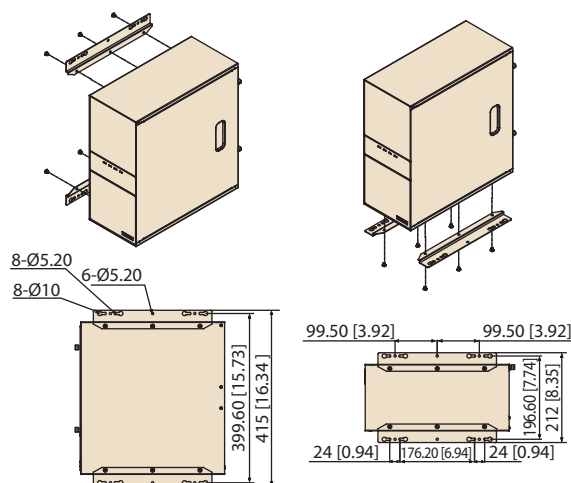
Dimensions

Unit: mm [inch]



Installation

Unit: mm [inch]



Ordering Information

Part Number	Power Supply	Motherboard	Regulations
IPC-5122-00XE	Without power supply, with ATX switch	-	-

Power Supply Options

(For detailed power supply specs, please refer to Chapter 6)

Part Number	Specifications	
	Watts	Input
PS8-300ATX-ZBE (ATX, PFC)	300 W	AC100~240V (full-range)
PS8-400ATX-ZE (ATX, PFC)	400 W	AC100~240V (full-range)

Optional Accessories

Part Number	Description
1990001392	Fan filter 140 x 120 x 12 mm
96SCOM-8X-ST-SN-B	Black slim 8X/24X/24X SATA Combo
96SDVR-8X-ST-SN-B	Black slim 8X SATA DVDRW-ROM
1700011772	SATA Power cable for slim ODD
IDT-3120E	Mobile rack for converting a 3.5" drive bay to dual 2.5" SATA HDD trays