

Spark gap - FLT-ISG-100-EX - 2905579

Please be informed that the data shown in this PDF Document is generated from our Online Catalog. Please find the complete data in the user's documentation. Our General Terms of Use for Downloads are valid (<http://phoenixcontact.com/download>)

Isolating spark gap for the hazardous area with plastic sleeve and M10 connection thread screws. For indirect connection/grounding of operationally isolated system parts in the event of lightning.




Your advantages

- ✔ Isolating spark gap for indirect equipotential bonding
- ✔ Protection of insulating flanges in pipelines
- ✔ Can be used in Ex protection zone 1
- ✔ Accessories for lightning current absorbing connection available



Key Commercial Data

Packing unit	1 pc
GTIN	 4 055626 002446
GTIN	4055626002446

Technical data

Dimensions

Length	100 mm +2 mm
Diameter housing	45.50 mm

Ambient conditions

Degree of protection	IP67 (according to IEC 60529)
Ambient temperature (operation)	-20 °C ... 60 °C
Ambient temperature (storage/transport)	-40 °C ... 60 °C
Altitude	≤ 2000 m (amsl (above mean sea level))
Permissible humidity (operation)	95 % (According to DIN ISO 60068-2-30 method 1)

General

Mounting type	Screw mounting
Color	traffic grey A RAL 7042

Spark gap - FLT-ISG-100-EX - 2905579

Technical data

General

Type	Screw-on module
Surge protection fault message	none

Additional descriptions

Note	Connection: screw (DIN 933), M10x25, wrench size: 17 mm, spring washer (DIN 7980), size: 10
------	---

Protective circuit

Nominal discharge current I_n (8/20) μ s	100 kA
Impulse discharge current (10/350) μ s I_{imp}	100 kA
Alternating voltage response U_{aw}	≤ 0.5 kV
Rated power-frequency withstand voltage U_{wAC}	250 V AC
Rated DC withstand voltage U_{wDC}	354 V DC
Rated impulse sparkover voltage $U_{r imp}$	≤ 1.25 kV
Rated alternating discharge current	500 A / 0.2 s (at 50/60 Hz, max. discharge current in the event of external voltage influence at the installation location)
Response time t_A	≤ 100 ns

Connection data

Connection name	Flange
Connection method	Connection bolts
Screw thread	M10

Standards and Regulations

Standards/regulations	IEC 62561-3 2012
	EN 62561-3 2012

Conformity / approvals

ATEX	# II 2 G Ex d IIC T6 Gb
	# II 2 D Ex tb IIIC T80 °C Db IP 66/67
IECEX	Ex d IIC T6 Gb
	Ex tb IIIC T80 °C Db IP66/67

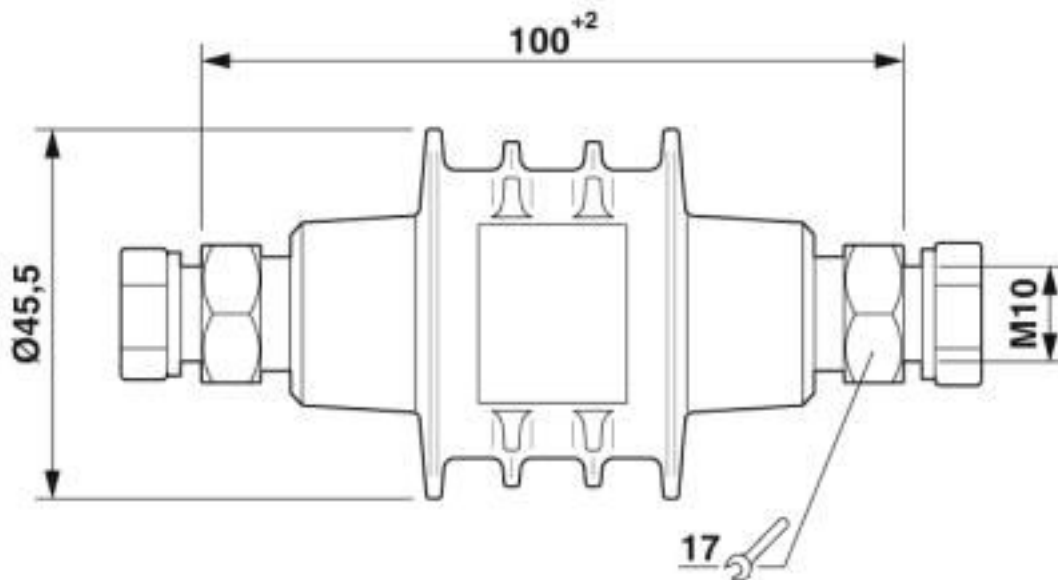
Environmental Product Compliance

REACH SVHC	Lead 7439-92-1
China RoHS	Environmentally Friendly Use Period = 50 years
	For details about hazardous substances go to tab "Downloads", Category "Manufacturer's declaration"

Drawings

Spark gap - FLT-ISG-100-EX - 2905579

Dimensional drawing



Classifications

eCl@ss

eCl@ss 10.0.1	27140201
eCl@ss 4.0	27140200
eCl@ss 4.1	27140200
eCl@ss 5.0	27140200
eCl@ss 5.1	27140200
eCl@ss 6.0	27140200
eCl@ss 7.0	27140201
eCl@ss 8.0	27140201
eCl@ss 9.0	27140201

ETIM

ETIM 4.0	EC000510
ETIM 5.0	EC000510
ETIM 6.0	EC000510
ETIM 7.0	EC000510

UNSPSC

UNSPSC 13.2	39121620
UNSPSC 18.0	39121620
UNSPSC 19.0	39121620
UNSPSC 20.0	39121620
UNSPSC 21.0	39121620

Spark gap - FLT-ISG-100-EX - 2905579

Approvals

Approvals

Approvals

UL Listed

Ex Approvals

IECEX / ATEX / UL Listed / EAC Ex

Approval details

UL Listed		http://database.ul.com/cgi-bin/XYV/template/LISEXT/1FRAME/index.htm	FILE E 482435
-----------	--	---	---------------

Accessories

Accessories

Mounting material

Fixing plate - FLT-ISG-PL-11 - 2905584



Plate for fixing the FLT-ISG-100-EX isolating spark gap to a flange, drill hole diameter of 11 mm.

Fixing plate - FLT-ISG-PL-14 - 2905586



Plate for fixing the FLT-ISG-100-EX isolating spark gap to a flange, drill hole diameter of 14 mm.

Fixing plate - FLT-ISG-PL-18 - 2905587



Plate for fixing the FLT-ISG-100-EX isolating spark gap to a flange, drill hole diameter of 18 mm.

Spark gap - FLT-ISG-100-EX - 2905579

Accessories

Fixing plate - FLT-ISG-PL-22 - 2905588



Plate for fixing the FLT-ISG-100-EX isolating spark gap to a flange, drill hole diameter of 22 mm.

Fixing plate - FLT-ISG-PL-26 - 2905745



Plate for fixing the FLT-ISG-100-EX isolating spark gap to a flange, drill hole diameter of 26 mm.

Fixing plate - FLT-ISG-PL-33 - 2905747



Plate for fixing the FLT-ISG-100-EX isolating spark gap to a flange, drill hole diameter of 33 mm.

Fixing plate - FLT-ISG-PL-36 - 2905754



Plate for fixing the FLT-ISG-100-EX isolating spark gap to a flange, drill hole diameter of 36 mm.

Fixing plate - FLT-ISG-PL-39 - 2905755



Plate for fixing the FLT-ISG-100-EX isolating spark gap to a flange, drill hole diameter of 39 mm.

Spark gap - FLT-ISG-100-EX - 2905579

Accessories

Fixing plate - FLT-ISG-PL-42 - 2905756



Plate for fixing the FLT-ISG-100-EX isolating spark gap to a flange, drill hole diameter of 42 mm.

Fixing bracket - FLT-ISG-BR-11 - 2905580



Bracket for fixing the FLT-ISG-100-EX isolating spark gap to a flange, drill hole diameter of 11 mm.

Fixing bracket - FLT-ISG-BR-14 - 2905581



Bracket for fixing the FLT-ISG-100-EX isolating spark gap to a flange, drill hole diameter of 14 mm.

Fixing bracket - FLT-ISG-BR-18 - 2905582



Bracket for fixing the FLT-ISG-100-EX isolating spark gap to a flange, drill hole diameter of 18 mm.

Fixing bracket - FLT-ISG-BR-22 - 2905583



Bracket for fixing the FLT-ISG-100-EX isolating spark gap to a flange, drill hole diameter of 22 mm.

Spark gap - FLT-ISG-100-EX - 2905579

Accessories

Fixing bracket - FLT-ISG-BR-26 - 2905757



Bracket for fixing the FLT-ISG-100-EX isolating spark gap to a flange, drill hole diameter of 26 mm.

Fixing bracket - FLT-ISG-BR-30 - 2905758



Bracket for fixing the FLT-ISG-100-EX isolating spark gap to a flange, drill hole diameter of 30 mm.

Fixing bracket - FLT-ISG-BR-33 - 2905759



Bracket for fixing the FLT-ISG-100-EX isolating spark gap to a flange, drill hole diameter of 33 mm.

Fixing bracket - FLT-ISG-BR-36 - 2905760



Bracket for fixing the FLT-ISG-100-EX isolating spark gap to a flange, drill hole diameter of 36 mm.

Fixing bracket - FLT-ISG-BR-39 - 2905761



Bracket for fixing the FLT-ISG-100-EX isolating spark gap to a flange, drill hole diameter of 39 mm.

Spark gap - FLT-ISG-100-EX - 2905579

Accessories

Fixing bracket - FLT-ISG-BR-42 - 2905762



Bracket for fixing the FLT-ISG-100-EX isolating spark gap to a flange, drill hole diameter of 42 mm.

Fixing bracket - FLT-ISG-BR-48 - 2905763



Bracket for fixing the FLT-ISG-100-EX isolating spark gap to a flange, drill hole diameter of 48 mm.

Fixing bracket - FLT-ISG-BR-56 - 2905764



Bracket for fixing the FLT-ISG-100-EX isolating spark gap to a flange, drill hole diameter of 56 mm.

Fixing bracket - FLT-ISG-BR-62 - 2905765



Bracket for fixing the FLT-ISG-100-EX isolating spark gap to a flange, drill hole diameter of 62 mm.

Connecting cable - FLT-ISG-CA-100 - 2905589



Connecting cable for FLT-ISG-100-EX, length 100 mm.

Spark gap - FLT-ISG-100-EX - 2905579

Accessories

Connecting cable - FLT-ISG-CA-200 - 2905590



Connecting cable for FLT-ISG-100-EX, length 200 mm.

Connecting cable - FLT-ISG-CA-300 - 2905591



Connecting cable for FLT-ISG-100-EX, length 300 mm.

Phoenix Contact 2020 © - all rights reserved
<http://www.phoenixcontact.com>

PHOENIX CONTACT GmbH & Co. KG
Flachsmarktstr. 8
32825 Blomberg
Germany
Tel. +49 5235 300
Fax +49 5235 3 41200
<http://www.phoenixcontact.com>