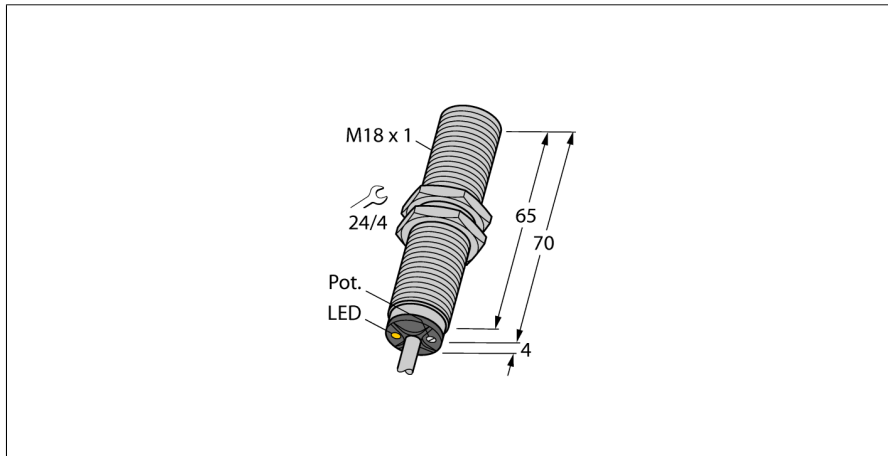
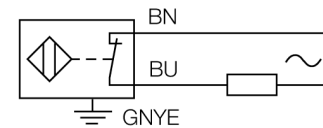


Capacitive sensor BC5-M18-RZ3X



- M18 × 1 threaded barrel
- Chrome-plated brass
- Fine adjustment via potentiometer
- AC 2-wire, 20...250 VAC
- NC contact
- Cable connection

Wiring Diagram



Functional principle

Capacitive proximity switches are designed for non-contact and wear-free detection of electrically conductive as well as non-conductive metal objects.

Type designation	BC5-M18-RZ3X
Ident-No.	2305100
Rated switching distance (flush)	5 mm
Rated switching distance (non-flush)	5 mm
Secured operating distance	≤ (0.72 × S _n) mm
Hysteresis	2...20 %
Temperature drift	type 20 %
Repeat accuracy	≤ 2 % of full scale
Ambient temperature	-25...+70 °C
Operating voltage	20...250VAC
AC rated operational current	≤ 500 mA
Frequency	≥ 50...≤ 60 Hz
Smallest operating current I _o	≥ 5 mA
Residual current	≤ 1.7 mA
Switching frequency	0.02 kHz
Isolation test voltage	≤ 1.5 kV
Output function	2-wire, NC contact, 2-wire
Voltage drop at I _o	≤ 7 V
Approvals	UL ABS cULus
Design	Threaded barrel, M18 × 1
Dimensions	74 mm
Housing material	Metal, CuZn, Chrome-plated
Active area material	Plastic, PBT-GF30-V0, yellow
Admissible pressure on front cap	≤ 4 bar
Max. tightening torque housing nut	25 Nm
Electrical connection	Cables
Cable quality	Ø 5.2mm, LifYY, PVC, 2 m
Cable cross section	3 × 0.5 mm ²
Vibration resistance	55 Hz (1 mm)
Shock resistance	30 g (11 ms)
Protection class	IP67
MTTF	1080 years acc. to SN 29500 (Ed. 99) 40 °C
Packaging unit	1
Switching state	LED, Yellow

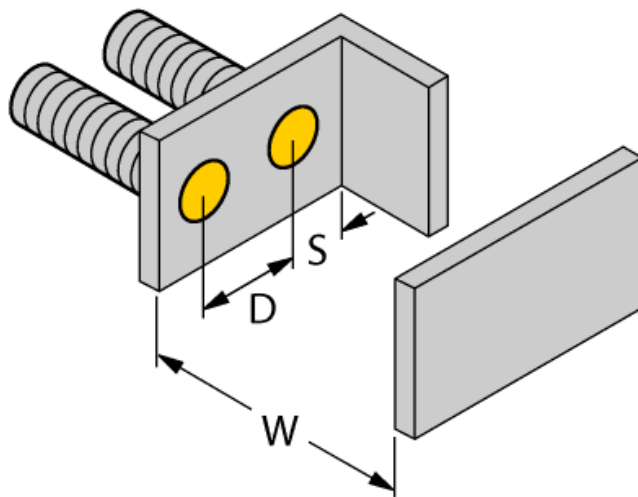
Capacitive sensor
BC5-M18-RZ3X

Mounting instructions/Description	minimum distances
Distance D	36 mm
Distance W	15 mm
Distance S	27 mm
Distance G	30 mm

Diameter active area B	Ø 18 mm
-------------------------------	---------



The given minimum distances have been checked against the standard switching distance. Should the sensitivity of the sensors be changed via potentiometer, the data sheet specifications no longer apply.



**Capacitive sensor
BC5-M18-RZ3X**

Accessories

Type code	Ident-No.	Description	
BS-18	69471	Mounting bracket for threaded barrel devices; material: PA66-GF	
BSN 18	69472	Fixing clamp; material: PA66-GF	
BST-18B	6947214	Fixing clamp for threaded barrel devices, with dead-stop; material: PA6	
MAP-M18	6950012	Mounting adapter; material: Polypropylene; sensor replacement with filled container possible (adapter remains in container during sensor replacement)	