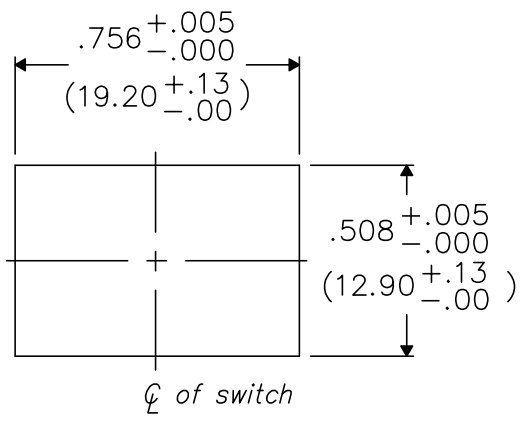
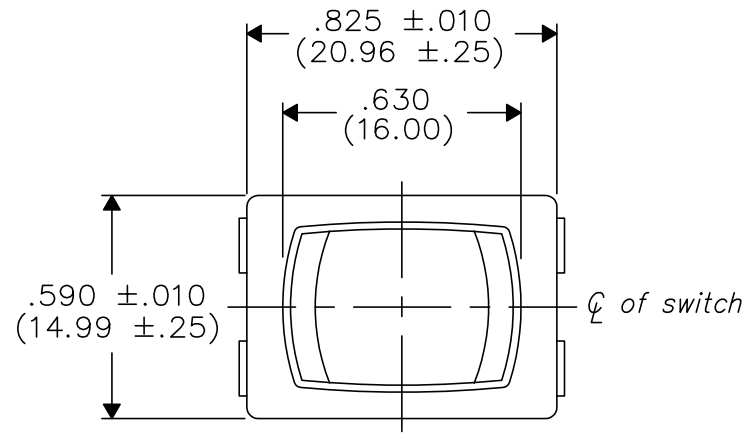
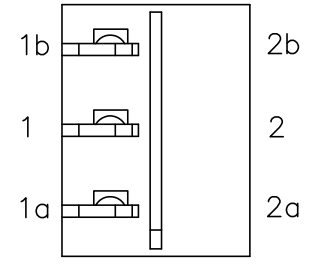


DIMENSIONS IN INCHES (MILLIMETERS)  
DO NOT SCALE DRAWING .....

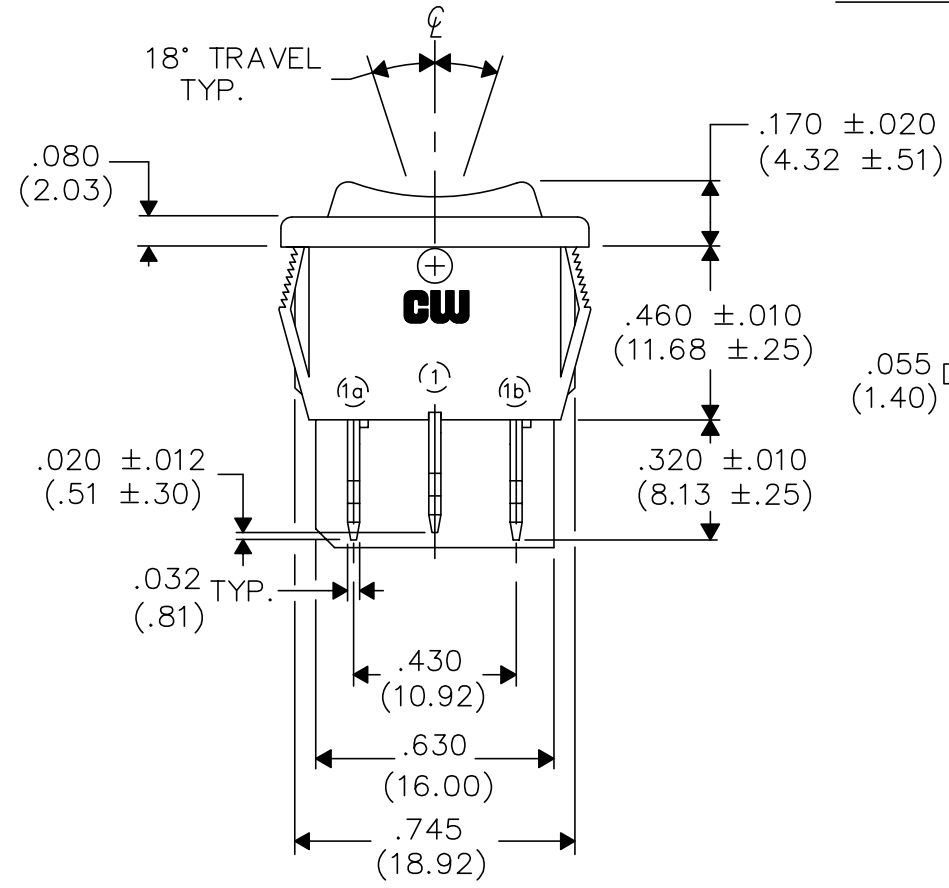
Dwg. No.  
GRS-4013A-1300



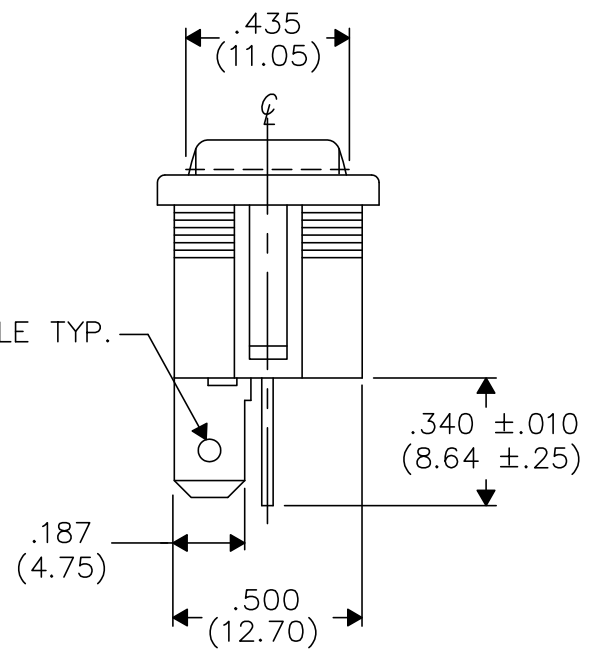
PANEL PIERCING



BOTTOM VIEW



.055 DIA. HOLE TYP.  
(1.40)



1 2 3 4 5 6 7 8 9 10

B-FORMAT 2002  
REVISIONS  
0  
RELEASED.  
DGW 1-30-2002  
1-31-02

**CW** INDUSTRIES  
Southampton, Pa. 18966  
TOLERANCES UNLESS OTHERWISE SPECIFIED  
2 Place Decimal ±.010 METRIC  
3 Place Decimal ±.005 1 Place Dec. ±.25mm  
Angles ..... ±1' 2 Place Dec. ±.13mm  
Made for: CW IND.  
Drawn by: DGW 1-30-2002  
Checked by: GG 1-31-02  
Approval: BF 1-31-02

Title: ASSEMBLY  
ROCKER SWIDGET  
S.P.- CENTER OFF  
Division: SWITCH  
Dwg. No. GRS-4013A-1300

PDF FILE MADE (QRO)