

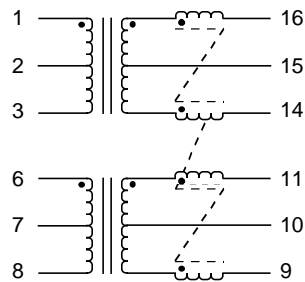
EPE6379S

- 1500 Vrms Isolation
- Robust design allows for toughest soldering processes
- Complies with or exceeds IEEE 802.3, 10Base-T Standards

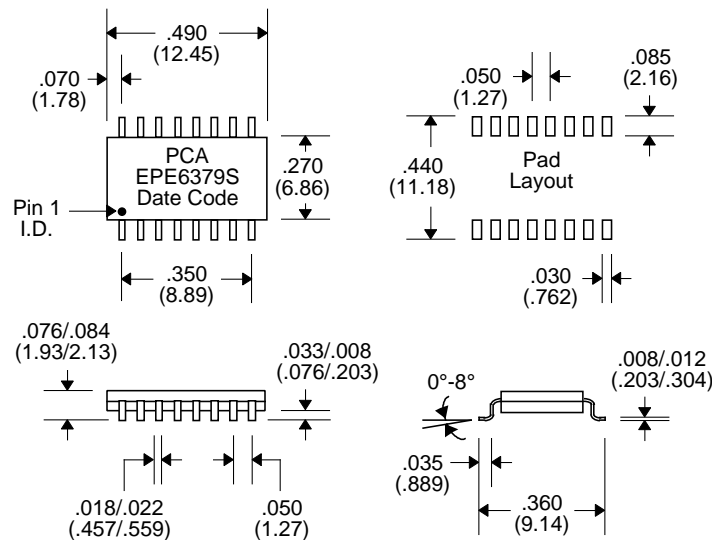
Electrical Parameters @ 25° C

OCL (μ H Min.)		Interwinding Capacitance (pF Max.)	Primary Leakage Inductance (μ H Max.)	Turns Ratio		Primary DCR (Max.)	
100 KHz, 0.1 Vrms	@ 100 KHz, 0.1 Vrms			@ 100 KHz, 0.1 Vrms	1CT:1CT	1CT:2.5CT	Xmit
200	35			Xmit & Rcv			
Pins 1-3	Pins 6-8	15	0.4	Pins 1-3:16-14	Pins 6-8:11-9	0.8	0.8

Schematic



Package



Unless Otherwise Specified Dimensions are in Inches /mm \pm .010 / .25