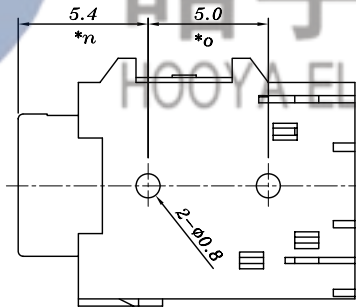
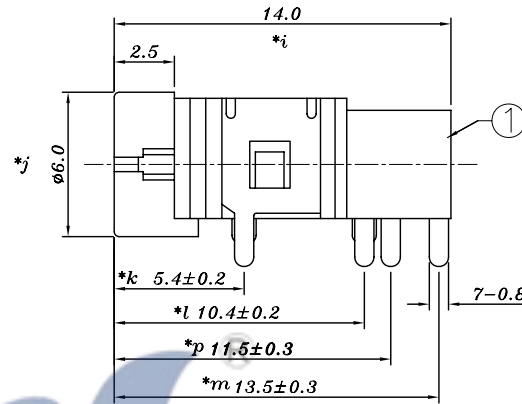
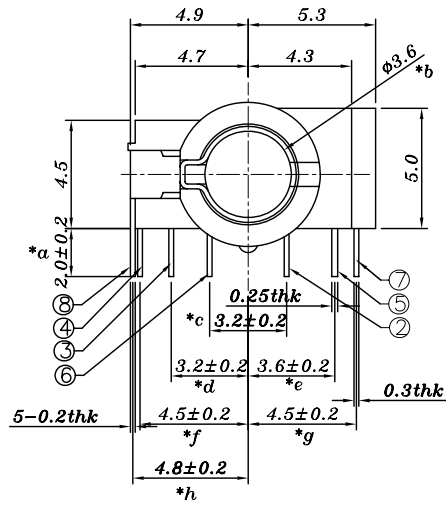
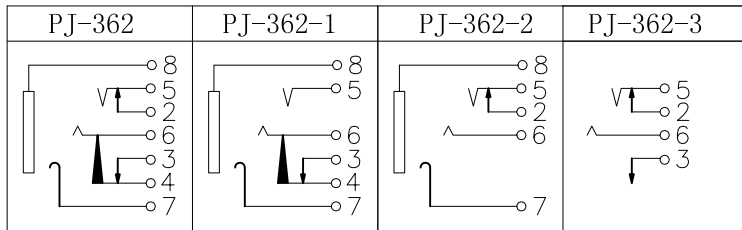
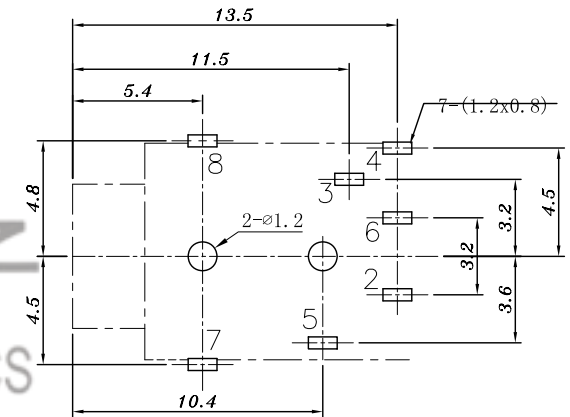


SCHMATIC



P.C.B LAYOUT TOP VIEW



8	AXIS SUPPORT	PHOSPHOR BRONZE	1	Au-PLATED	TOLERANCE UNLESS SPECIFIED							
7	CONTACT FOOT	PHOSPHOR BRONZE	1	Ag-PLATED	UP TO 5mm: ±0.1	ANGULAR	1					
6	SPRING PIECE	SUS	1	Ag-PLATED	ABOVE 5mm: ±0.2	±1°	NO	DATE	REVISIONS		BY	APPD
5	SPRING	PHOSPHOR BRONZE	1	Ag-PLATED	TITLE: PHONE JACK			UNIT : MM	ROHS COMPLIANT	DWN		
4	SPRING	SUS	1	Ag-PLATED	MODEL: PJ-362			SCALE: 1:1	CHK'D			
3	CONTACT FOOT	BRASS	1	Ag-PLATED	HAOYU(HONGKONG)LIMITED				APPD			
2	CONTACT FOOT	BRASS	1	Ag-PLATED	皓宇(香港)有限公司				PRO.AGL:		REV :A0	
1	HOUSING	PBT	1									
NO.	PART NAME	MATERIAL	QTY	FINISHING								