

**PLEASE CHECK WWW.MOLEX.COM FOR LATEST PART INFORMATION**

**Part Number:** [0743232061](#)  
**Status:** **Active**  
**Description:** MicroCross™ DVI Analog, Single Link, High Volume Plug Connector Sub- assembly, ESD Type, Vertical, Gold (Au) Flash, 17 Circuits, Lead Free

**Documents:**

[Drawing \(PDF\)](#) [RoHS Certificate of Compliance \(PDF\)](#)

**Agency Certification**

CSA LR19980  
 UL E29179

**General**

Product Family I/O Connectors  
 Series [74323](#)  
 Application Wire-to-Board  
 Comments DDWG (Digital Display Working Group) Standard  
 Component Type I/O Plug Connector Subassembly  
 Product Name MicroCross™DVI  
 Type N/A

**Physical**

Boot Color N/A  
 Circuits (Loaded) 17  
 Circuits (maximum) 29  
 Circuits Detail Circuits 1-2,6-8,14-16,17-18,23-24; C1-C5 are loaded  
 Color - Resin Black  
 Durability (mating cycles max) 100  
 Flammability 94V-0  
 Keying to Mating Part Yes  
 Lock to Mating Part Yes  
 Material - Metal Copper Alloy  
 Material - Plating Mating Gold  
 Material - Plating Termination Tin  
 Material - Resin High Temperature Thermoplastic  
 Number of Rows 3  
 Orientation Vertical  
 PCB Retention None  
 Packaging Type Tray  
 Panel Mount N/A  
 Pitch - Mating Interface (in) 0.075 In, 0.100 In  
 Pitch - Mating Interface (mm) 1.90 mm, 2.54 mm  
 Pitch - Term. Interface (in) 0.075 In, 0.100 In  
 Pitch - Term. Interface (mm) 1.90 mm, 2.54 mm  
 Plating min: Mating (µin) 10  
 Plating min: Mating (µm) 0.25  
 Plating min: Termination (µin) 150  
 Plating min: Termination (µm) 3.80  
 Polarized to Mating Part Yes  
 Polarized to PCB Yes  
 Ports 1  
 Temperature Range - Operating -20°C to +85°C  
 Termination Interface: Style Solder or Weld  
 Waterproof / Dustproof No  
 Wire Size AWG N/A

**EU RoHS**

**ELV and RoHS  
 Compliant  
 REACH SVHC  
 Not Reviewed  
 Halogen-Free  
 Status  
 Not Reviewed**

**China RoHS**



**Need more information on product environmental compliance?**

Email [productcompliance@molex.com](mailto:productcompliance@molex.com)  
 For a multiple part number RoHS Certificate of Compliance, [click here](#)

Please visit the [Contact Us](#) section for any non-product compliance questions.

**Search Parts in this Series**

[74323Series](#)

**Mates With**

Other receptacle components, [74320](#) DVI Receptacle, [67351](#) DVI Receptacle

**Application Tooling | FAQ**

*Tooling specifications and manuals are found by selecting the products below. Crimp Height Specifications are then contained in the Application Tooling Specification document.*

**Global**

Description	Product #
MicroCross™	<a href="#">0621003700</a>
Soldering Fixture	

**Electrical**

Current - Maximum per Contact	3A
Grounding to Panel	Yes
Shield Type	Full Shield
Shielded	Yes
Voltage - Maximum	40V AC (RMS)

**Material Info****Reference - Drawing Numbers**

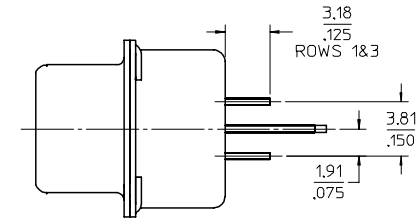
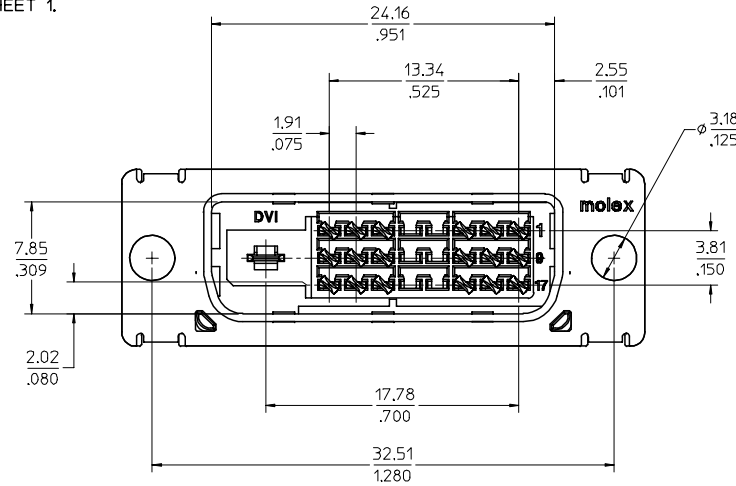
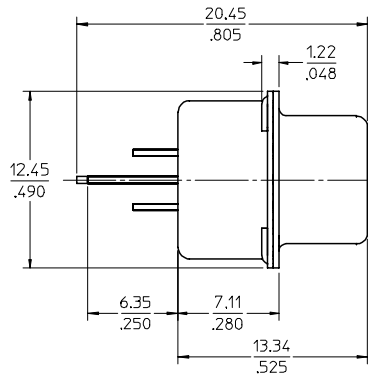
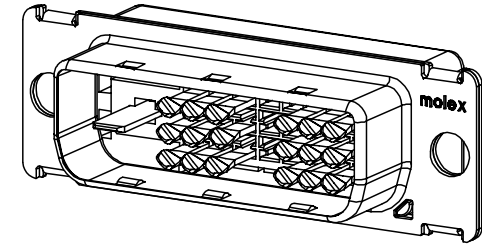
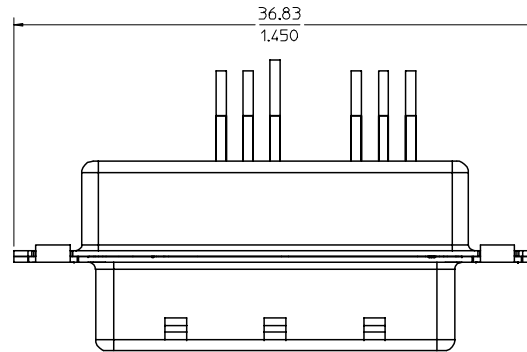
Sales Drawing	SD-74323-006
---------------	--------------

This document was generated on 04/05/2010

**PLEASE CHECK [WWW.MOLEX.COM](http://WWW.MOLEX.COM) FOR LATEST PART INFORMATION**

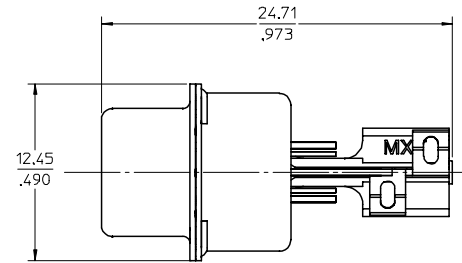
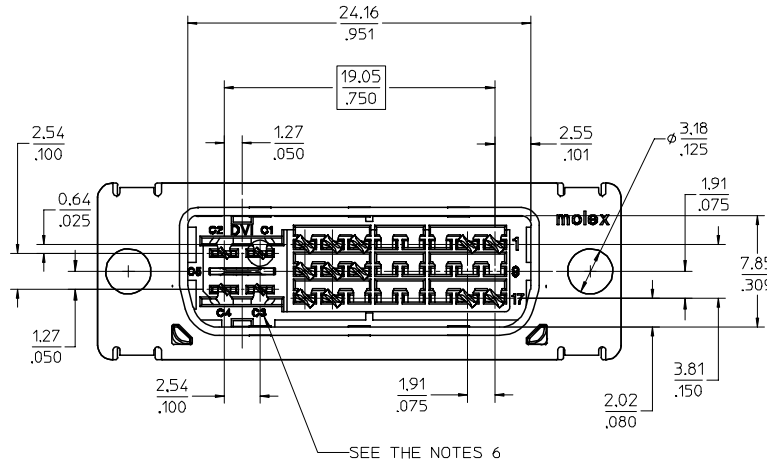
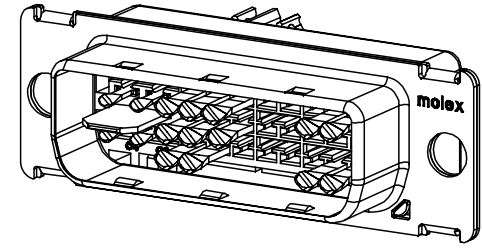
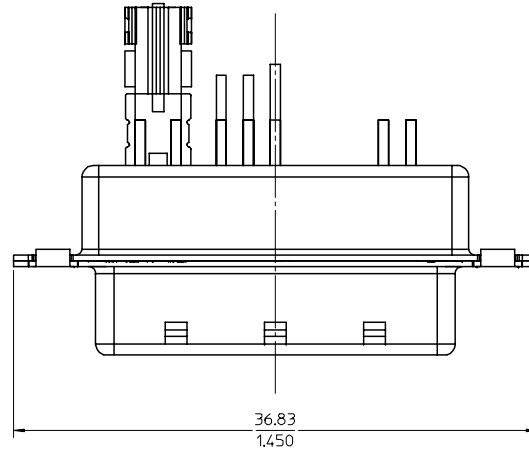
NOTES:

1. MATERIALS: HOUSING: HIGH TEMPERATURE PLASTIC  
UL 94V-0, COLOR: BLACK  
TERMINAL: COPPER ALLOY  
SHIELD: STEEL ALLOY
2. FINISH: TERMINAL: SEE THE CHART FOR GOLD PLATING OVER 1.27 MICROMETER (50 μ') NICKEL IN CONTACT AREA AND 3.81 MICROMETER (150 μ') PURE TIN OVER 1.27 MICROMETER (50 μ') NICKEL AT SOLDERING AREA.  
SHIELD: 3.81 MICROMETER (150 μ') BRIGHT TIN OVER 1.27 MICROMETER (50 μ') NICKEL OVERALL.
3. PRODUCT SPECIFICATION: PS-74320-001 .
4. PACKAGING: PARTS ARE TO BE PACKAGED 40 PCS PER TRAY.
5. THE LOADED CIRCUITS SEE THE CHART.
6. THE TEXTS ARE SHOWN FOR REFERENCE ONLY.
7. THE DIMENSION SHOWN ON SHEET 1 REFLECT THE DVI-D SINGLE AND DUAL LINK SUB-ASSEMBLY.  
THE DIMENSION SHOWN ON SHEET 2 REFLECT THE DVI-A AND DVI-I SUB-ASSEMBLY, FOR ALL OTHER DIMENSIONS REFER TO SHEET 1.



LEAD-FREE EC NO: SH2005-0067 DRWN: DXUE 2004/09/02 CHK: YTYA004/09/03 APPR: JZHOU	DESCRIPTION	QUALITY SYMBOLS	GENERAL TOLERANCES (UNLESS SPECIFIED)	SCALE 4:1	DESIGN UNITS INCH	THIRD ANGLE PROJECTION	REVISE ON CAD ONLY
		▽-0	mm INCH	DIMENSION STYLE IN/MM		DVI HIGH VOLUME PLUG CONNECTOR SUB-ASSEMBLY FOR ESD TYPE	
		◻-0	4 PLACES ± --- ± --- 3 PLACES ± --- ± .010 2 PLACES ± 0.25 ± --- 1 PLACE ± --- ± ---	DRAWN BY GRACE	DATE 00/08/09	MOLEX INCORPORATED	
		ANGULAR ± 1 °	DRAFT WHERE APPLICABLE MUST REMAIN WITHIN DIMENSIONS	CHECKED BY JASON	DATE 00/08/21	MATERIAL NO. SEE CHART	DOCUMENT NO. SD-74323-006
THIS DRAWING CONTAINS INFORMATION THAT IS PROPRIETARY TO MOLEX INCORPORATED AND SHOULD NOT BE USED WITHOUT WRITTEN PERMISSION							

PART NUMBER	DESCRIPTION	LOADED CIRCUITS REF.
74323-2051	DVI-D Au FLASH SINGLE LINK	1-3,6-8,9-11,14-16,17-19,22-24, WITH KEY
74323-2052	DVI-D 30 u' Au SINGLE LINK	
74323-2053	DVI-D Au FLASH DUAL LINK	1-24, WITH KEY
74323-2054	DVI-D 30 u' Au DUAL LINK	
74323-2061	DVI-A Au FLASH	1-2,6-8,14-16,17-18,23-24, C1,C2,C3,C4,C5
74323-2062	DVI-A 30 u' Au	
74323-2071	DVI-I Au FLASH SINGLE LINK	1-3,6-8,9-11,14-16,17-19,22-24, C1,C2,C3,C4,C5
74323-2072	DVI-I 30 u' Au SINGLE LINK	
74323-2073	DVI-I Au FLASH DUAL LINK	1-24, C1,C2,C3,C4,C5
74323-2074	DVI-I 30 u' Au DUAL LINK	



SEE THE NOTES 6

LEAD-FREE EC NO.: SH2005-0067 DRWN: DXUE 2004/09/02 CHK: YTY 2004/09/03 APPR: JZHOU	QUALITY SYMBOLS ▽ - 0 ◻ - 0	GENERAL TOLERANCES (UNLESS SPECIFIED) mm INCH 4 PLACES ± --- ± --- 3 PLACES ± --- ± .010 2 PLACES ± 0.25 ± --- 1 PLACE ± --- ± --- ANGULAR ± 1 °	SCALE 4:1 DESIGN UNITS INCH DIMENSION STYLE IN/MM DRAWN BY DATE GRACE 00/08/09 CHECKED BY DATE JASON 00/08/21 APPROVED BY DATE MEGA 00/08/21	THIRD ANGLE PROJECTION REVISE ON CAD ONLY
	DRAFT WHERE APPLICABLE MUST REMAIN WITHIN DIMENSIONS		MATERIAL NO. SEE CHART DOCUMENT NO. SD-74323-006 SHEET NO. 2 OF 2	MOLEX INCORPORATED
	THIS DRAWING CONTAINS INFORMATION THAT IS PROPRIETARY TO MOLEX INCORPORATED AND SHOULD NOT BE USED WITHOUT WRITTEN PERMISSION			
	EC NO.: SH2005-0067 DRWN: DXUE 2004/09/02 CHK: YTY 2004/09/03 APPR: JZHOU			