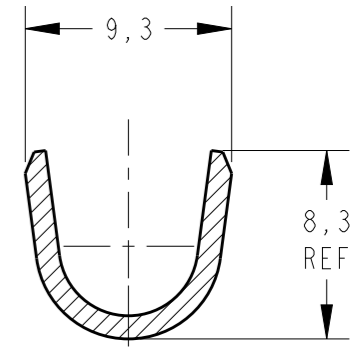
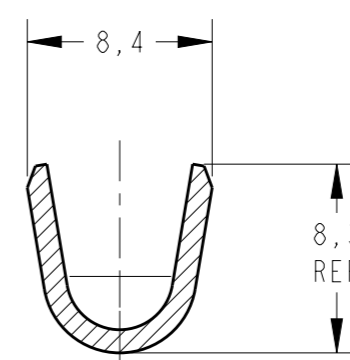
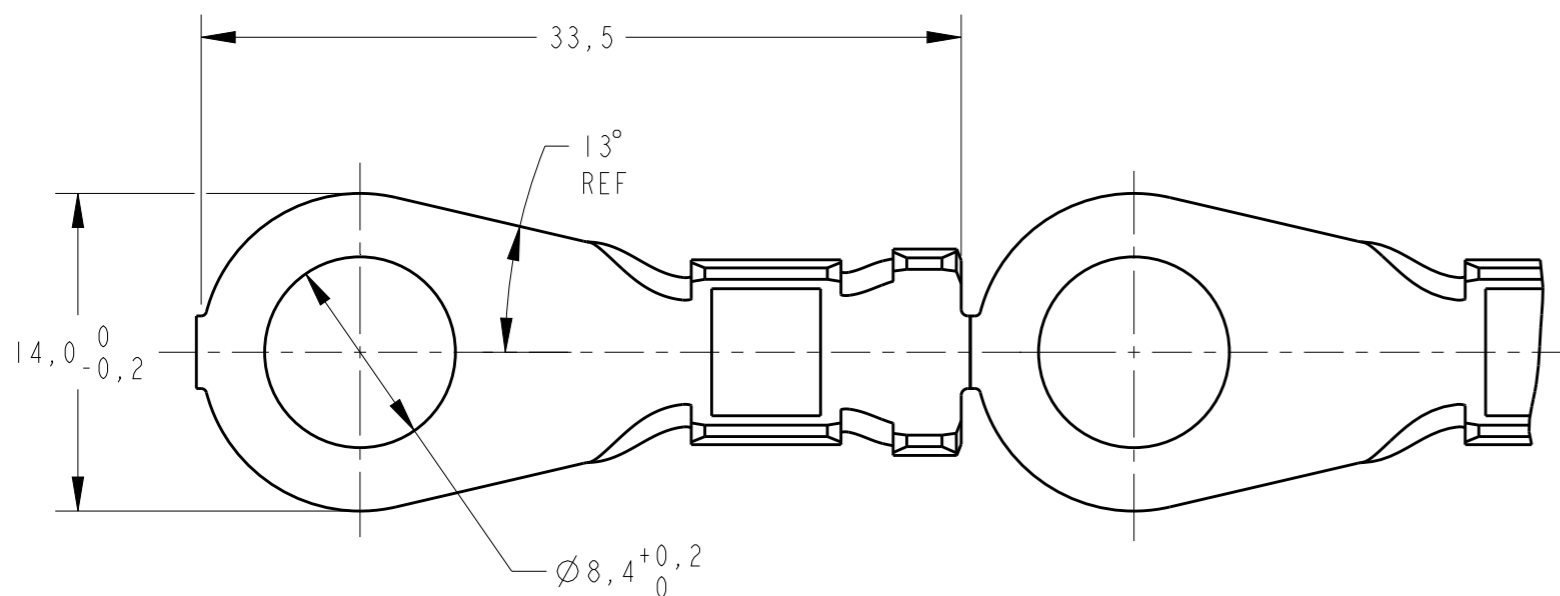


creo
Creo Parametric 2.0
**DO NOT REVISE
EXCEPT BY CAD**

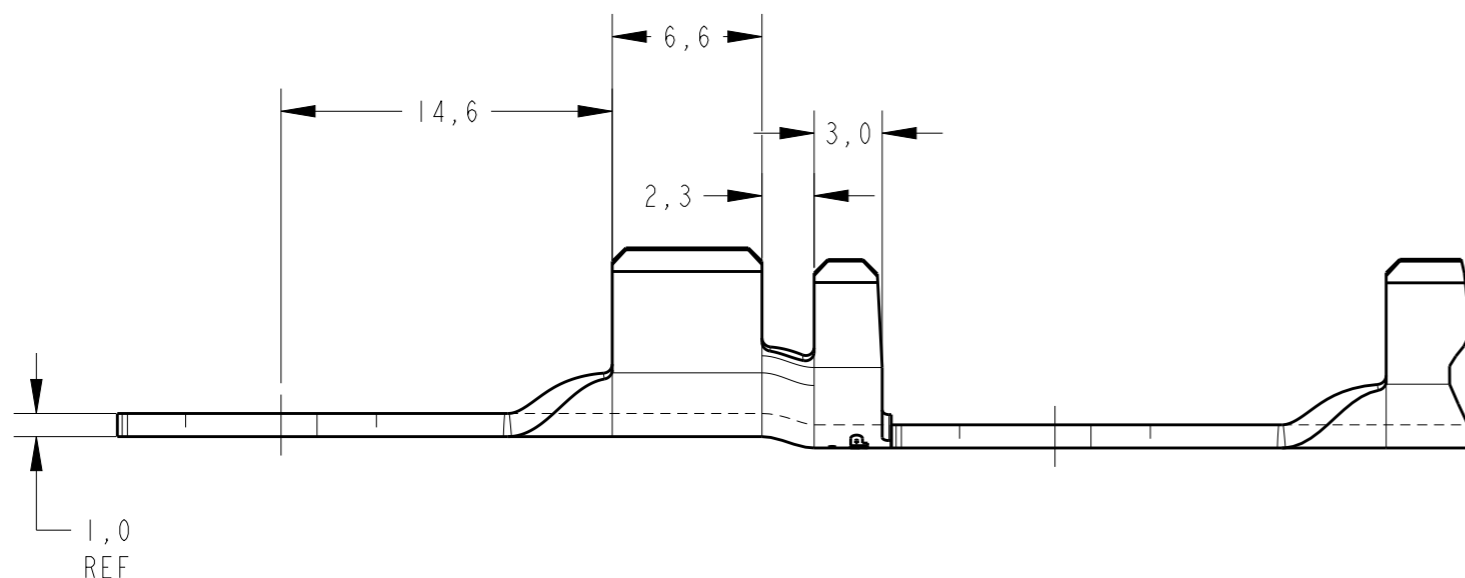
REVISIONS

P	LTR	DESCRIPTION	DATE	DWN	APVD
	A	REDRAW BY CAD ECO-14-013530	08SEP2014	NCL	LWP
	AI	REV.BY ECO 16-006124	10JUN2016	HC	WLS



SECTION A-A
SCALE 3:1

SECTION B-B
SCALE 3:1



OBSOLETE	ESTANHADO / TINNER	BRONZE FOSFOROSO	881001-4
	—	BRONZE FOSFOROSO	881001-3
	ESTANHADO / TINNER	LATÃO / BRASS	881001-2
OBSOLETE		LATÃO / BRASS	881001-1
	FINISH	MATERIAL	PART NO

Ø 4,6-6,6mm.	6,0-10,0mm2
INSUL RANGE	WIRE RANGE

THIS DRAWING IS A CONTROLLED DOCUMENT.

DWN 08SEP2014
NCLAPRESA
CHK 08SEP2014
FCHRISTIANO
APVD 08SEP2014
I WPRADO

STE TE Connectivity

DIMENSIONS:	TOLERANCES UNLESS OTHERWISE SPECIFIED:
mm	
0 PLC	±-
1 PLC	±0,5
2 PLC	±-
3 PLC	±-
4 PLC	±-
ANGLES	±°

PRODUCT SPEC -
APPLICATION SPEC -
WEIGHT -

NAME		RESTRICTED TO	
- RING TONGUE		-	
SIZE	CAGE CODE	DRAWING NO	
A3	00779	©-881001	

MATERIAL SEE TABLE
FINISH SEE TABLE

Customer Drawing SCALE 3:1 SHEET 1 OF 1 REV AI



PERSPECTIVE VIEW
SCALE 1:1