

RC56D-USB

Integrated V.90/K56flex

Modem Device Sets with USB Interface for Desktop Applications

Introduction

The CONEXANT™ RC56D Modem Device Set supports the USB (Universal Serial Bus), as described by the Universal Serial Bus Specification Revision 1.0. USB provides a flexible interconnect between a PC and a wide range of peripherals, such as to a CONEXANT modem device set.

The CONEXANT RC56D family devices, in conjunction with the R8292 USB controller provide a complete USB modem solution. The supported modem feature set for the USB modem solution is the same as the standard RC56D parallel host interface device set (see "RC56D and RC336D Integrated V.90/K56flex/V.34 Modem Device Set for Desktop Applications" Data Sheet, Order No. MD211).

The modem models, which include the R8292 UCU (USB Controller Unit in 68-PLCC), are listed in Table 1.

Hardware

A complete accelerator kit implementing the USB solution is offered as "Perth" (AK56-D540). This design consists of the RC56D parallel host interface device set and the R8292 USB Controller Unit (UCU). The R8292 operates with a 12 MHz crystal. A 32K x 8, 150 ns EEPROM is required for USB controller firmware. Additionally, one latch, one transistor, and two bus transceivers are required.

The R8292 USB Controller is based on the MCS®51 microcontroller. It is a hubless USB peripheral controller that supports suspend/resume modes and isochronous/non-isochronous transfers.

Firmware

Firmware for the R8292 controller is provided in object form, however, vendor specific descriptors can be customized with a supplied utility. Vendor ID, Product ID, Device Release Number, Manufacturer Name, Product Name, and Serial Number can all be modified.

Drivers

A complete set of software drivers is provided for Windows 98 and Windows 95 OSR 2.1 support. Sample INF files are also provided.

Features

- All features supported by the RC56D family (see data sheet Order No. MD211)
- Universal Serial Bus Specification Rev 1.0 compliant
- Three function endpoint pairs with corresponding transmit/receive FIFO pairs
- Automatic transmit/receive FIFO management
- USB full speed 12Mbps
- USB low speed 1.5Mbps
- Reset separation
- Four LED driver outputs
- On-chip phase-locked loop (PLL)
- On-chip USB transceivers
- 256 bytes on-chip Data RAM
- Suspend/Resume
- Vendor specific descriptors
- Windows 98 support
- Windows 95 OSR 2.1 support
- Extension pickup/remote hang-up detection
- Line-in-use detection

Table 1. Modem Models and Functions

Model/Order/Part Numbers					Supported Functions ²	
Marketing Model Number ¹	Device Set Order Number	MCU [80-PQFP] Part No.	MDP [100-PQFP] Part No.	UCU [68-PLCC] Part No. ³	V.90/ K56flex Data, V.34 Fax, Fax Cl 1 and 2, Voice/TAM, Host DSVD, V.80	FDSP, AudioSpan
RC56D/SP-USB	DS56-L122-011	L2800-38	R6764-61	R8292-11	Y	Y
RC56D-USB	DS56-L122-021	L2800-38	R6764-63	R8292-11	Y	-

Notes:

- Model options:
 D Downloadable
 SP Speakerphone
 USB USB interface
- Supported functions (Y = Supported; - = Not supported):
 AudioSpan Analog simultaneous voice and data
 DSVD Digital simultaneous voice and data
 Fax Cl 1 and 2 Fax Class 1, 1.0, and Fax Class 2 support
 FDSP Full-duplex speakerphone
 Voice/TAM Voice and telephone answering machine support (handset support requires SP model)
- R8292 is the CONEXANT internal part number for the Intel 80931AA.

Information provided by CONEXANT SYSTEMS, INC. is believed to be accurate and reliable. However, no responsibility is assumed by CONEXANT for its use, nor any infringement of patents or other rights of third parties which may result from its use. No license is granted by implication or otherwise under any patent rights of CONEXANT other than for circuitry embodied in CONEXANT products. CONEXANT reserves the right to change circuitry at any time without notice. This document is subject to change without notice.

K56flex is a trademark of CONEXANT SYSTEMS, INC. and Lucent Technologies.
 CONEXANT, "What's Next in Communications Technologies", MNP 10EC, and ConfigurACE are trademarks of CONEXANT SYSTEMS, INC.
 MNP is a trademark of Compaq Computer Corporation.
 MCS is a registered trademark of Intel Corporation.

©1998, CONEXANT SYSTEMS, INC.
 Printed in U.S.A.
 All Rights Reserved



System Architecture

Hardware Interface

A system block diagram is shown in Figure 1.

The major interface signals are shown in Figure 2.

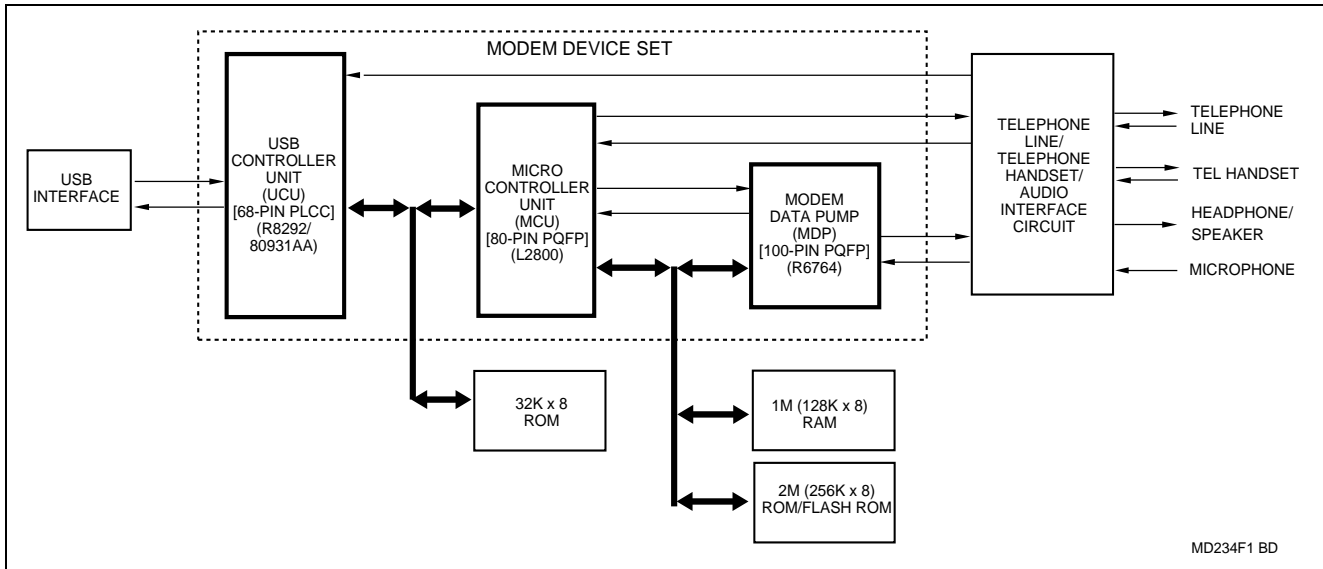


Figure 1. Block Diagram

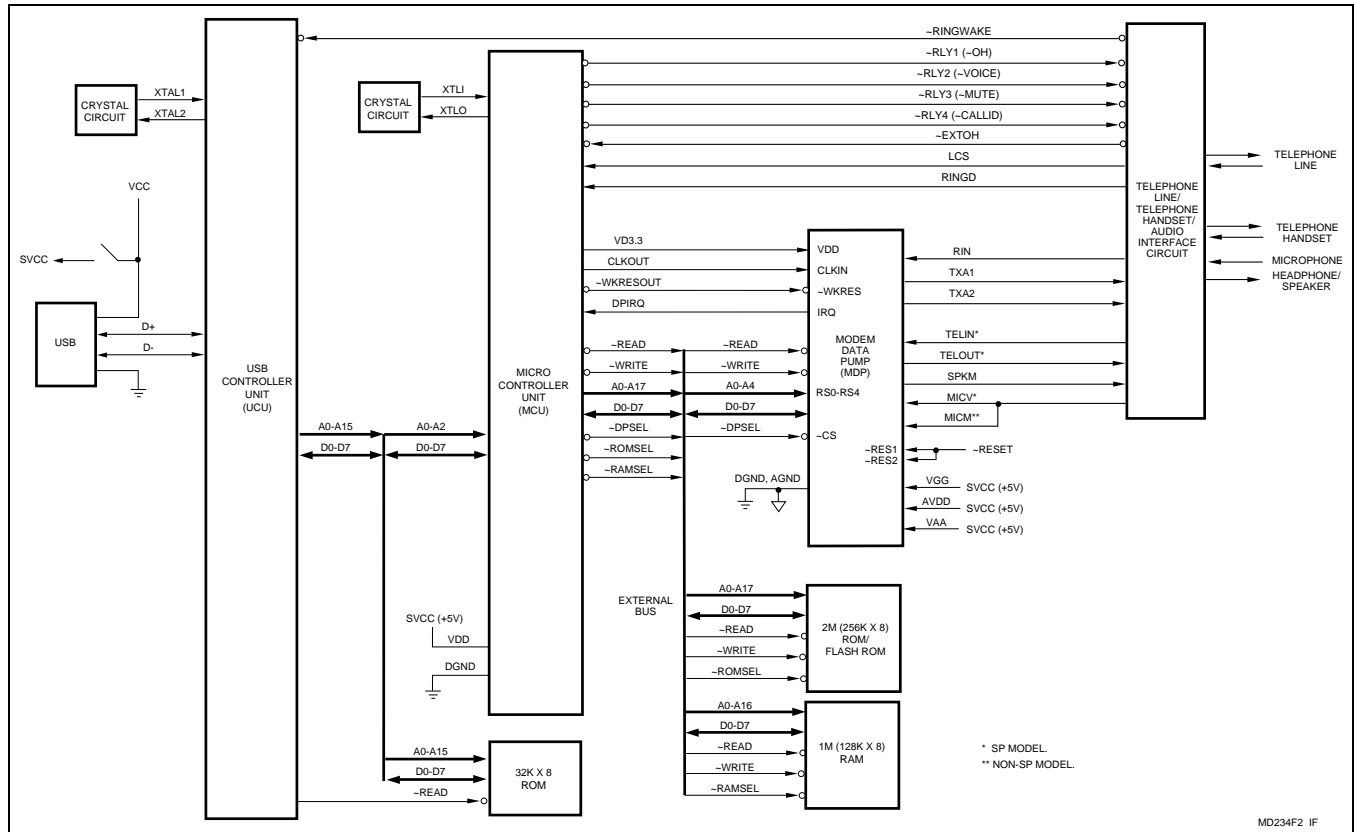


Figure 2. Hardware Interface Signals

R8292 Signal Pin Assignments and Descriptions

The R8292 68-pin PLCC signal pin assignments are shown in Figure 3.

The R8292 68-pin PLCC signals are described in Table 2.

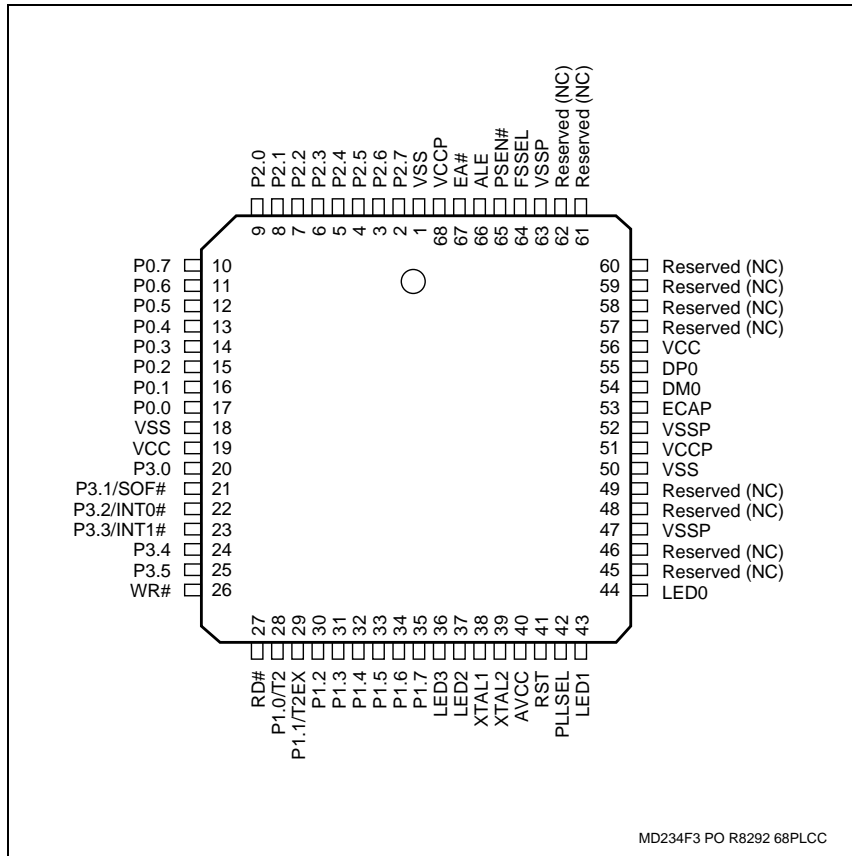


Figure 3. R8292 68-Pin PLCC Pin Signals

Table 2. R8292 68-Pin PLCC Pin Signal Descriptions

Signal Name	Type	Description
ALE	O	Address Latch Enable. ALE signals the start of an external bus cycle and indicates that valid address information is available on lines A15:8 and AD7:0. An external latch can use ALE to demultiplex the address from the address/data bus.
AVCC	PWR	Analog VCC. AVCC input for the phase locked loop circuitry.
DM0, DP0	I/O	USB Port 0. DP0 and DM0 are the differential data plus and data minus signals of USB port 0, the upstream differential port. These lines do not have internal pullup resistors. Provide an external 1.5 K Ω pullup resistor at DP0. If DP0 is not pulled high, a continuous SEO (USB reset) will be applied to these inputs causing the 8x931 to stay in reset.
EA#	I	External Access. Directs program memory accesses to on-chip or off-chip code memory. For EA# strapped to ground, all program memory accesses are off-chip. For EA# strapped to VCC, program accesses on-chip ROM if the address is within the range of the on-chip ROM; otherwise the access is off-chip. The value of EA# is latched at reset. For devices without on-chip ROM, EA# must be strapped to ground.
ECAP	I	External Capacitor. Connect a 2.2 μ F capacitor between this pin and VSS to ensure proper operation of the differential line drivers.
FSSEL	I	Full Speed Select. Connect to VCC for 12MHz Xtal and 12Mbps full speed USB rate.
INT1#	I	HINT. Host bus interrupt input is set high by MCU when the MCU receiver error flag, received data available, transmitter holding register empty, or modem status interrupt is asserted.
INT0#	I	RINGWAKE. Used to notify the host of an incoming ring in order to come out of suspend mode.
LED3:0	O	LED Drivers. Designed to drive LEDs connected directly to VCC. NC.
OVRI#/P3.0	I	Overcurrent Sense. Sense input to indicate an overcurrent condition on an external down-stream port. Active low with an internal pullup. NC.
P0.7:0	I/O	Address/Data Lines. Eight-bit, open-drain, bidirectional I/O lines with Schmitt trigger inputs that represent lower byte of external memory address multiplexed with data.
P1.7	I/O	NC. Quasi-bidirectional I/O port with internal pullup.
P1.6	O	Ready Indicate. Active low output to drive READY LED. Port has internal pullup.
P1.5	O	DCD Indicate. Active low output to drive DCD LED. Port has internal pullup.
P1.4	O	DATA Indicate. Active low output to drive DATA LED. Port has internal pullup.
P1.3	O	MODEMPWRCNTRL. Active low output used to control power supply to non-USB side of isolation. Port has internal pullup.
P1.2	O	MDMRESET. Active low output used to reset the MCU and MDP. This port has an internal pullup.
P1.1	I/O	NC. Quasi-bidirectional I/O port with internal pullup.
P1.0	I/O	NC. Quasi-bidirectional I/O port with internal pullup.
P2.7:0	O	Address Lines. Eight-bit port with internal pullups used for upper byte of external memory address.
P3.5	I/O	NC. Quasi-bidirectional I/O port with internal pullup.
P3.4	I/O	NC. Quasi-bidirectional I/O port with internal pullup.
PLLSEL	I	Phase-locked Loop Select. Connect to VCC for 12MHz Xtal and 12Mbps full speed USB rate.
PSEN#	O	Program Store Enable. Read signal output. Asserted for read accesses to external program memory.
RD#	O	Read. Asserted for read accesses to external data memory.
RST	I	Reset. Reset input to the chip. Holding this pin high for 64 oscillator periods while the oscillator is running resets the device. The port pins are driven to their reset conditions when a voltage greater than VIH1 is applied, whether or not the oscillator is running. This pin has an internal pulldown resistor which allows the device to be reset by connecting a capacitor between this pin and VCC. Asserting RST when the chip is in idle mode or powerdown mode returns the chip to normal operation.
SOF#/P3.1	O	Start of Frame. Start of frame pulse. Active low. Asserted for 8 states when frame timer is locked to USB frame timing and SOF token or artificial SOF is detected. NC.

Table 2. R8292 68-Pin PLCC Pin Signal Descriptions (Cont'd)

Signal Name	Type	Description
VCC	PWR	Supply Voltage. Connect this pin to the +5v supply voltage.
VSS	GND	Circuit Ground. Connect this pin to ground.
WR#	O	Write. Write signal output to external memory.
XTAL1	I	Oscillator Amplifier Input. When implementing the on-chip oscillator, connect the external crystal or ceramic resonator across XTAL1 and XTAL2. If an external clock source is used, connect it to this pin.
XTAL2	O	Oscillator Amplifier Output. When implementing the on-chip oscillator, connect the external crystal or ceramic resonator across XTAL1 and XTAL2. If an external oscillator is used, leave XTAL2 unconnected.

USB General Operation

Descriptors

USB devices report their attributes using descriptors. A descriptor is a data structure with a defined format, which begins with a byte-wide field that contains the total number of bytes in the descriptor followed by a byte-wide field that identifies the descriptor type.

Class and vendor specific descriptors may be returned in one of two ways. Class and vendor specific descriptors that are related to standard descriptors are returned in the same data buffer as the standard descriptor. If a class or vendor specific descriptor is not related to a standard descriptor, it is returned using class or vendor specific requests.

Device Descriptor

A device descriptor describes general information about a USB device, which applies globally to the device and all of the device's configurations (see Table 3). A USB device has only one device descriptor. Vendor ID, Product ID, and Device Release Number can be changed. The Manufacturer Name, Product Name, and Serial Number can also be customized.

Table 3. Device Descriptors

Offset	Field	Size	Value	Default	Description
0	<i>bLength</i>	1	Number	12	Size of this descriptor in bytes.
1	<i>bDescriptorType</i>	1	Constant	01	DEVICE Descriptor Type.
2	<i>bcdUSB</i>	2	BCD	0100	USB Specification Release Number in Binary-Coded Decimal (i.e., 2.10 is 0x210). This field identifies the release of the USB Specification that the device and its descriptors are compliant with.
4	<i>bDeviceClass</i>	1	Class	00	Class code (assigned by USB). If this field is reset to 0, each interface within a configuration specifies its own class information and the various interfaces operate independently. If this field is set to a value between 1 and 0xFE, the device supports different class specifications on different interfaces and the interfaces may not operate independently. This value identifies the class definition used for the aggregate interfaces. (For example, a CD-ROM device with audio and digital data interfaces that require transport control to eject CDs or start them spinning.) If this field is set to 0xFF, the device class is vendor specific.
5	<i>bDeviceSubClass</i>	1	SubClass	00	Subclass code (assigned by USB). These codes are qualified by the value of the <i>bDeviceClass</i> field. If the <i>bDeviceClass</i> field is reset to 0, this field must also be reset to 0. If the <i>bDeviceClass</i> field is not set to 0xFF, all values are reserved for assignment by USB.
6	<i>bDeviceProtocol</i>	1	Protocol	00	Protocol code (assigned by USB). These codes are qualified by the value of the <i>bDeviceClass</i> and the <i>bDeviceSubClass</i> fields. If a device supports class-specific protocols on a device basis as opposed to an interface basis, this code identifies the protocols that the device uses as defined by the specification of the device class. If this field is reset to 0, the device does not use class specific protocols on a device basis. However, it may use class specific protocols on an interface basis. If this field is set to 0xFF, the device uses a vendor specific protocol on a device basis.
7	<i>bMaxPacketSize0</i>	1	Number	08	Maximum packet size for endpoint zero (only 8, 16, 32, or 64 are valid).
8	<i>idVendor</i>	2	ID	1394	Vendor ID (assigned by USB).
10	<i>idProduct</i>	2	ID	7470	Product ID (assigned by the manufacturer).
12	<i>bcdDevice</i>	2	BCD	0100	Device release number in binary-coded decimal.
14	<i>iManufacturer</i>	1	Index	01	Index of string descriptor describing manufacturer.
15	<i>iProduct</i>	1	Index	02	Index of string descriptor describing product.
16	<i>iSerialNumber</i>	1	Index	03	Index of string descriptor describing the device's serial number.
17	<i>bNumConfigurations</i>	1	Number	02	Number of possible configurations.

Configuration Descriptor

A configuration descriptor describes information about a specific device configuration (see Table 4). The descriptor describes the number of interfaces provided by the configuration.

Table 4. Configuration Descriptors

Offset	Field	Size	Value	Default	Description
0	<i>bLength</i>	1	Number	09	Size of this descriptor in bytes.
1	<i>bDescriptorType</i>	1	Constant	02	CONFIGURATION.
2	<i>wTotalLength</i>	2	Number	002E	Total length of data returned for this configuration. Includes the combined length of all descriptors (configuration, interface, endpoint, and class or vendor specific) returned for this configuration.
4	<i>bNumInterfaces</i>	1	Number	01	Number of interfaces supported by this configuration.
5	<i>bConfigurationValue</i>	1	Number	01	Value to use as an argument to Set Configuration to select this configuration.
6	<i>iConfiguration</i>	1	Index	00	Index of string descriptor describing this configuration.
7	<i>bmAttributes</i>	1	Bitmap	A0	<p>Configuration characteristics</p> <ul style="list-style-type: none"> D7 Bus Powered D6 Self Powered D5 Remote Wakeup D4..0 Reserved (reset to 0) <p>A device configuration that uses power from the bus and a local source sets both D7 and D6. The actual power source at runtime may be determined using the Get Status device request.</p> <p>If a device configuration supports remote wakeup, D5 is set to 1.</p>
8	<i>MaxPower</i>	1	mA	C8	<p>Maximum power consumption of USB device from the bus in this specific configuration when the device is fully operational. Expressed in 2 mA units (i.e., 50 = 100 mA).</p> <p>Note: A device configuration reports whether the configuration is bus-powered or self-powered. Device status reports whether the device is currently self-powered. If a device is disconnected from its external power source, it updates device status to indicate that it is no longer self-powered.</p> <p>A device may not increase its power draw from the bus, when it loses its external power source, beyond the amount reported by its configuration.</p> <p>If a device can continue to operate when disconnected from its external power source, it continues to do so. If the device cannot continue to operate, it fails operations it can no longer support. Host software may determine the cause of the failure by checking the status and noting the loss of the device's power source.</p>

Interface Descriptor

An interface descriptor describes a specific interface provided by the associated configuration (see Table 5). It is always returned as part of a configuration descriptor. An interface descriptor never includes endpoint zero in the number of endpoints.

Table 5. Interface Descriptors

Offset	Field	Size	Value	Default	Description
0	<i>bLength</i>	1	Number	09	Size of this descriptor in bytes.
1	<i>bDescriptorType</i>	1	Constant	04	INTERFACE Descriptor Type.
2	<i>bInterfaceNumber</i>	1	Number	00	Number of interface. Zero-based value identifying the index in the array of concurrent interfaces supported by this configuration.
3	<i>bAlternateSetting</i>	1	Number	00	Value used to select alternate setting for the interface identified in the prior field.
4	<i>bNumEndpoints</i>	1	Number	04	Number of endpoints used by this interface (excluding endpoint zero). If this value is 0, this interface only uses endpoint zero.
5	<i>bInterfaceClass</i>	1	Class	00	Class code (assigned by USB). If this field is reset to 0, the interface does not belong to any USB specified device class. If this field is set to 0xFF, the interface class is vendor specific. All other values are reserved for assignment by USB.
6	<i>bInterfaceSubClass</i>	1	SubClass	00	Subclass code (assigned by USB). These codes are qualified by the value of the <i>bInterfaceClass</i> field. If the <i>bInterfaceClass</i> field is reset to 0, this field must also be reset to 0. If the <i>bInterfaceClass</i> field is not set to 0xFF, all values are reserved for assignment by USB.
7	<i>bInterfaceProtocol</i>	1	Protocol	00	Protocol code (assigned by USB). These codes are qualified by the value of the <i>bInterfaceClass</i> and the <i>bInterfaceSubClass</i> fields. If an interface supports class-specific requests, this code identifies the protocols that the device uses as defined by the specification of the device class. If this field is reset to 0, the device does not use a class specific protocol on this interface. If this field is set to 0xFF, the device uses a vendor specific protocol for this interface.
8	<i>iInterface</i>	1	Index	00	Index of string descriptor describing this interface.

Endpoint Descriptor

Each endpoint used for an interface has its own descriptor, which contains the information required by the host to determine the bandwidth requirements of each endpoint (see Table 6). An endpoint descriptor, like an Interface Descriptor, is always returned as part of a configuration descriptor. The default values are:

- Bulk In 1: 07058102100000
- Bulk Out 1: 07050102100000
- Bulk In 2: 07058203080064
- Bulk Out 2: 07050202080000

Table 6. Endpoint Descriptors

Offset	Field	Size	Value	Description
0	<i>bLength</i>	1	Number	Size of this descriptor in bytes.
1	<i>bDescriptorType</i>	1	Constant	ENDPOINT Descriptor Type.
2	<i>bEndpointAddress</i>	1	Endpoint	The address of the endpoint on the USB device described by this descriptor. The address is encoded as follows: Bit 0..3: The endpoint number Bit 4..6: Reserved, reset to 0 Bit 7: Direction, ignored for control endpoints 0 OUT endpoint 1 IN endpoint
3	<i>bmAttributes</i>	1	Bit Map	This field describes the endpoint's attributes when it is configured using the <i>bConfigurationValue</i> . Bit 0..1: Transfer Type 00 Control 01 Isochronous 10 Bulk 11 Interrupt All other bits are reserved
4	<i>wMaxPacketSize</i>	2	Number	Maximum packet size this endpoint is capable of sending or receiving when this configuration is selected. For isochronous endpoints, this value is used to reserve the bus time in the schedule, required for the per frame data payloads. The pipe may, on an ongoing basis, actually use less bandwidth than that reserved. The device reports, if necessary, the actual bandwidth used via its normal, non-USB defined mechanisms. For interrupt, bulk, and control endpoints smaller data payloads may be sent, but will terminate the transfer and may or may not require intervention to restart. Refer to Chapter 5 for more information.
6	<i>bInterval</i>	1	Number	Interval for polling endpoint for data transfers. Expressed in milliseconds. This field is ignored for bulk and control endpoints. For isochronous endpoints this field must be set to 1. For interrupt endpoints, this field may range from 1 to 255.

Enumeration

The R8292 enumeration process consists of the following steps:

1. Get device descriptor. The host requests and reads the device descriptor to determine maximum packet size.
2. Set address. The host sends the R8292's function address in a data packet using function endpoint 0. Device firmware interprets this data.
3. Get device descriptor. The host requests and reads the device descriptor to determine such information as device class, USB Specification compliance level, maximum packet size for endpoint 0, vendor id, product id. Etc.
4. Get configuration descriptor. The host requests and reads the device configuration descriptor to determine such information as the number of interfaces and endpoints; endpoint transfer type, packet size, and direction; power source ;maximum power; etc. When the host requests the configuration descriptor, all related interface and endpoint descriptors are returned.
5. Set configuration. The host assigns a configuration value to the device to establish the current configuration.

Endpoint Pairs

Data transfers with the host are made to/from endpoint pairs on the USB module. The R8292 provides three function endpoint pairs as follows.

Table 7. Endpoint Pairs

Endpoint Pair	Transmit FIFO	Receive FIFO	USB Data Transfer Types
Function Endpoint 0	8 bytes	8 bytes	Control
Function Endpoint 1	16 bytes	16 bytes	Control, Interrupt, Bulk, Isochronous
Function Endpoint 2	8 bytes	8 bytes	Control, Interrupt, Bulk

Design Considerations

In addition to the design considerations found in the RC56D/RC336D Designer's Guide (Order No. 1154), the following should be taken into account when designing a USB solution.

Series Resistor Requirement for Impedance Matching

Per USB rev. 1.0 specification, the impedance of the differential driver must be between $29\ \Omega$ and $33\ \Omega$ should be connected to each USB line; i.e., on D_{p0} and D_{m0} . If the USB line is improperly terminated or not matched, then signal quality will suffer. This condition can be seen on an oscilloscope as excessive overshoot and undershoot, and will introduce errors and lower throughput.

Pullup Resistor Requirement

The USB specification requires a pullup resistor to allow the host to identify which devices are low speed and which devices are high speed in order to communicate at the appropriate data rate. For R8292, add a $1.5K\ \Omega$ pullup to $3.0V - 3.6V$, such as pin 53 (ECAP). These pullup resistors should be placed as close to the R8292 as possible. If ECAP is used, a $1\ \mu F$ capacitor should be connected between ECAP and GND.

Noise Considerations

The R8292 high-speed logic can produce noise spikes on power and signal lines. Decoupling capacitors and transient absorbers will keep noise to a minimum. Connect $0.1\ \mu F$ bypass caps between VCC/AVCC and each VSS pin.

Noise spikes on XTAL1 and XTAL2 can disrupt the timing of the R8292. Place the crystal and capacitors near the device and connect with short, direct traces. This will help minimize coupling between other digital circuits and the crystal. Additionally, place guard rings around the oscillator circuitry and ground the metal crystal case.

Power-on Reset

To automatically generate a reset when power is applied, connect the RST pin to VCC through a $0.33\ \mu F$ capacitor. When VCC is applied, the RST pin rises to VCC, and does not decay below the threshold before the crystal stabilizes, plus two machine cycles.

Excessive LED Current

Pins LED3:0 (36, 37, 43, 44) were designed to drive LEDs connected directly to VCC. The LED driver is too strong, causing the device to sink excessive current. When all of the LED drivers are turned on at the same time, the current sinking capability of the device will be exceeded, causing excessive heating and reducing reliability of the device. By using a $250\ \Omega$ resistor in series with each LED, to avoid this problem.

Electrical Characteristics and Timing

For R8292 electrical characteristics and timing information, refer to Intel "8x931AA/8x931HA Universal Serial Bus Peripheral Controllers", Order Number: 273108-002.

R8292 power consumption is 70 mA active and 40 mA idle.

Worldwide Headquarters

4311 Jamboree Road,
P. O. Box C
Newport Beach, CA 92658-8902
Phone: (949) 483-4600
Fax: (949) 483-6375

For more information:

Call 1-800-854-8099

International information:

Call 1-949-483-6996

URL Address:

<http://www.conexant.com>

E-Mail Address:

literature@conexant.com

REGIONAL SALES OFFICES**US Northwest/Pacific Northwest**

3600 Pruneridge Avenue
Suite 100
Santa Clara, CA 95051
Phone: (408) 249-9696
Fax: (408) 249-7113

US Los Angeles

1000 Business Center Circle
Suite 215
Thousand Oaks, CA 91320
Phone: (805) 376-0559
Fax: (805) 376-8180

US Southwest

4350 Von Karman Ave.
Suite 400
Newport Beach, CA 92660
Phone: (949) 483-9119
Fax: (949) 483-9090

US North Central

Two Pierce Place
Chancellor Park
Suite 810
Itasca, IL 60143
Phone: (630) 773-3454
Fax: (630) 773-3907

US South Central

17304 Preston Road
Suite 970
Dallas, TX 75252
Phone: (972) 733-0723
Fax: (972) 407-0639

US Northeast

239 Littleton Road
Suite 4A
Westford, MA 01886
Phone: (508) 692-7660
Fax: (508) 692-8185

US Southeast

3500 Parkway Lane, Suite 415
Norcross, GA 30092
Phone: (770) 246-8283
Fax: (770) 246-0018

US Florida/South America

One Prestige Place
2600 McCormick Drive
Suite 350
Clearwater, FL 33759
Phone: (813) 799-8406
Fax: (813) 799-8306

US Mid-Atlantic

Princeton Pike Corporate Center
993 Lenox Drive, Suite 200
Lawrenceville, NJ 08648
Phone: (609) 219-7462
Fax: (609) 895-2666

European Headquarters

Les Taissonnieres B1
1680 Route des Dolines
BP 283
06905 Sophia Antipolis Cedex
France
Phone: (33) 4 93 00 33 35
Fax: (33) 4 93 00 33 03

Europe Central

Paul-Gerhardt-Allee 50 a
81245 München
Germany
Phone: (49-89) 829-1320
Fax: (49-89) 834-2734

Europe Mediterranean

Via G. Di Vittorio, 1
20017 Mazzo Di Rho (MI)
Italy
Phone: (39 2) 93179911
Fax: (39 2) 93179913

Europe North

Berkshire Court
Western Road
Bracknell
Berkshire RG12 1RE
England
Phone: 44 (0) 1344 486444
Fax: 44 (0) 1344 486555

Europe North (Satellite)

11 Galgalay Haplada Street
P.O. Box 12660
Herzlia 46733
Israel
Phone: (972) 9 9524000
Fax: (972) 9 9573732

Europe South

Tour GAN
Cedex 13
92082 Paris La Défense 2
France
Phone: (33) 1 49 06 39 80
Fax: (33) 1 49 06 39 90

APAC Headquarters

1 Kim Seng Promenade
#09-01 East Tower
Great World City
Singapore 237994
Phone: (65) 737-7355
Fax: (65) 737-9077

Australia

Suite 603, 51 Rawson Street
Epping, NSW 2121
Australia
Phone: (61-2) 9869 4088
Fax: (61-2) 9869 4077

China

Shanghai Representative Office
LT Square Building, Suite 3002
500 Chengdu North Road
Shanghai 200003 P.R.C.
Phone: 86-21-6361-2515
Fax: 86-21-6361-2516

Hong Kong

13th Floor, Suites 8-10,
Harbour Centre
25 Harbour Road
Wanchai,
Hong Kong
Phone: (852) 2 827-0181
Fax: (852) 2 827-6488

India

Regional Office - South Asia
Capital Trust House
47 Community Centre
Friends Colony
New Delhi - 110 065
India
Phone: (91-11) 692-4780
Fax: (91-11) 692-4712

Korea

Room No. 1508
Korea Textile Centre Building
944-31, Daechi-3dong
Kangnam P.O. Box 2037
Kangnam-ku
Seoul
Korea
Phone: (82-2) 565-2880
Fax: (82-2) 565-1440

Taiwan Headquarters

Room 2808 International Trade Bldg.
333, Keelung Road, Section I
Taipei,
Taiwan
10548 ROC
Phone: (886-2) 2720-0282
Fax: (886-2) 2757-6760

Japan Headquarters

Shimomoto Bldg.
1-46-3 Hattudai, Shibuya-ku
Tokyo, 151
Japan
Phone: (81-3) 5371 1520
Fax: (81-3) 5371 1501

SOU0981214



CONEXANT™
What's next in communications technologies.