

PLEASE CHECK WWW.MOLEX.COM FOR LATEST PART INFORMATION

Part Number: **0781720410**
Status: **Active**
Overview: picoezmate
Description: 1.20mm (.047") Pitch Pico-EZmate™ Wire-to-Board Crimp Terminal, Gold (Au) Flash over Nickel (Ni) Plated, Lead free

Documents:

[Drawing \(PDF\)](#) [RoHS Certificate of Compliance \(PDF\)](#)
[Product Specification PS-78171-010 \(PDF\)](#)

Agency Certification

CSA LR19980
 UL E29179

General

Product Family Crimp Terminals
 Series 78172
 Crimp Quality Equipment Yes
 Overview picoezmate
 Product Name Pico-EZmate™

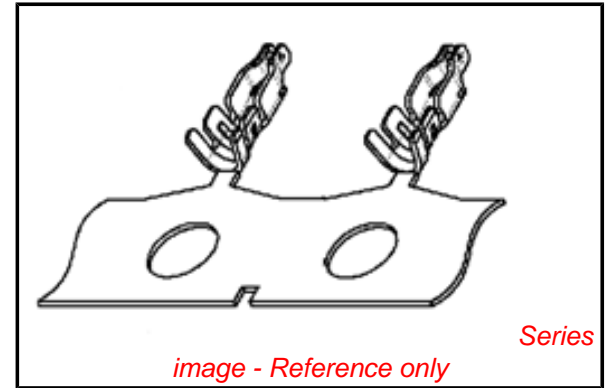
Physical

Durability (mating cycles max) 10
 Flammability 94V-0
 Gender Receptacle
 Material - Metal Phosphor Bronze
 Material - Plating Mating Gold
 Material - Plating Termination Gold
 Packaging Type Reel
 Termination Interface: Style Crimp or Compression
 Wire Insulation Diameter 0.60mm(.024") and 0.58mm(.023
 Wire Size AWG 28, 30
 Wire Size mm² 0.127 AND 0.102

Material Info

Reference - Drawing Numbers

Application Specification AS-78172-001, AS-78172-006
 Packaging Specification PK-89990-681
 Product Specification PS-78171-010
 Sales Drawing SD-78172-008



EU RoHS

ELV and RoHS Compliant
REACH SVHC Contains SVHC: No
Halogen-Free Status

China RoHS



Halogen-Free

Need more information on product environmental compliance?

Email productcompliance@molex.com
 For a multiple part number RoHS Certificate of Compliance, [click here](#)

Please visit the [Contact Us](#) section for any non-product compliance questions.

Search Parts in this Series

78172Series

Mates With

78171 PCB Header

Use With

78172 Crimp Receptacle Housings

Application Tooling | FAQ

Tooling specifications and manuals are found by selecting the products below. Crimp Height Specifications are then contained in the Application Tooling Specification document.

Global

Description	Product #
FineAdjust™ Applicator for 1.20mm (.047") Pico-EZMate™ Wire-to-Board Terminals	<u>0639011300</u>
T2 Terminator for 1.20mm (.047") Pico-	<u>0639111300</u>

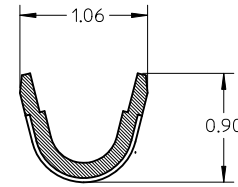
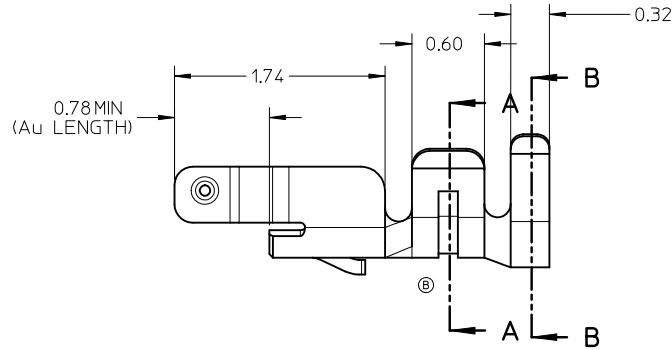
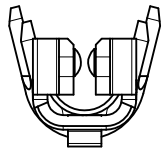
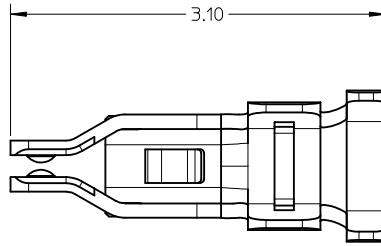
Ezmate™, 28-30
AWG
Hand Crimp Tool for 0638194300
Pico-Ezmate™ Wire-
to-Board Terminal,
28-30 AWG for loose
parts only
Extraction Tool 0638132700
Hand Tool for 0638194800
1.20mm (.047")
Pitch Pico-Ezmate™
Crimp Terminals,
28 AWG for reeled
product
Hand Tool for 0638230100
1.20mm (.047")
Pitch Pico-Ezmate™
Crimp Terminals,
30 AWG for reeled
product

This document was generated on 06/08/2010

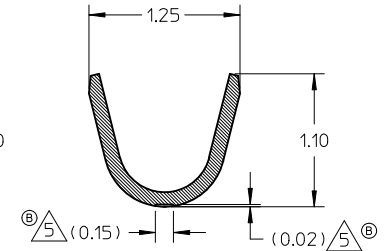
PLEASE CHECK WWW.MOLEX.COM FOR LATEST PART INFORMATION

PART NUMBER

78172-0410
(REEL FORM)



SECTION A-A
(CONDUCTOR BARREL)



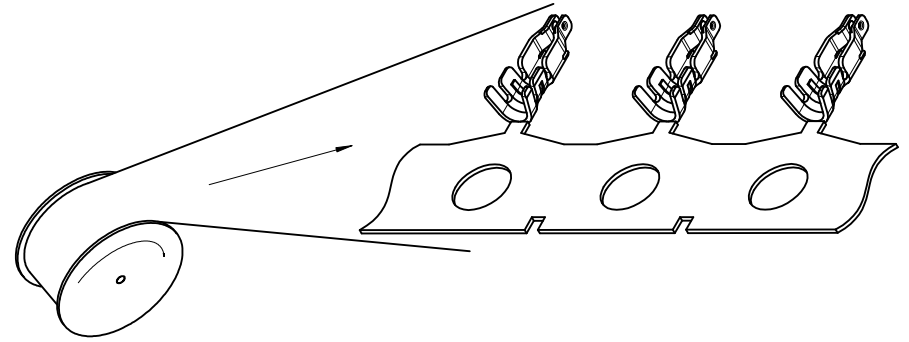
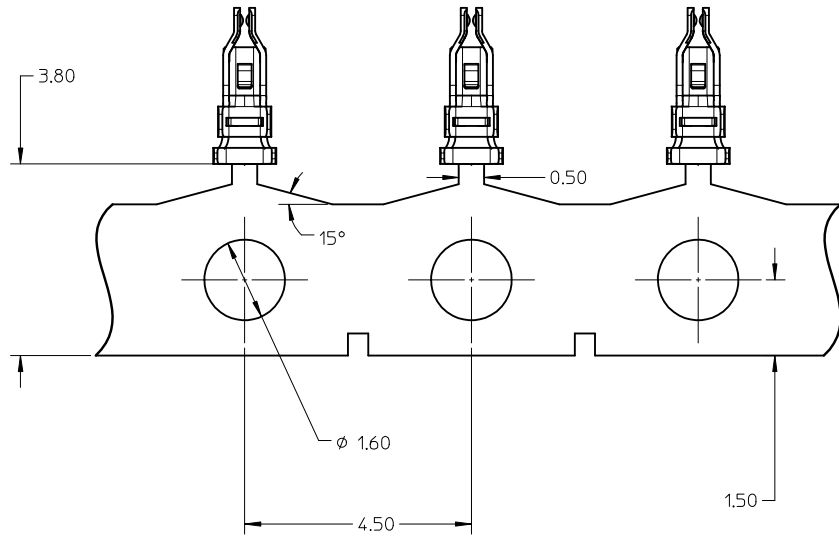
SECTION B-B
(INSULATION BARREL)

NOTES:

1. MATERIAL: COPPER ALLOY
 2. PLATING :
GOLD FLASH OVER 1.0uMIN. NICKEL OVERALL
 3. TERMINAL TO BE USED WITH MOLEX HOUSING PART NO : 78172-00**
 4. TERMINAL TO BE USED WITH WIRE AWG#28, AWG#30
- OPTIONAL TOOL MARK FOR TOOL RECOGNITION PURPOSE

REVISED EC NO: J2010-0783 DRWN: CWLAM CHKD: LSLEE APPR: NUKITA	2009/11/12 2009/12/11 2009/12/14	DESCRIPTION REV	QUALITY SYMBOLS	GENERAL TOLERANCES (UNLESS SPECIFIED)		DIMENSION STYLE	SCALE	DESIGN UNITS	THIRD ANGLE PROJECTION
			$\nabla=0$ $\square=0$	mm	INCH	MM ONLY	NTS	METRIC	
			4 PLACES ± --- ± --- 3 PLACES ± --- ± --- 2 PLACES ± 0.30 ± --- 1 PLACE ± --- ± ---	DRAWN BY: CWLAM DATE: 2007/11/05		TITLE: 1.20MM PITCH, W-T-B RECEPTACLE CONNECTOR			
			ANGULAR ± 1 °	CHECKED BY: KSSHANTHA DATE: 2007/12/07		MOLEX INCORPORATED			
DRAFT WHERE APPLICABLE MUST REMAIN WITHIN DIMENSIONS				MATERIAL NO. SEE TABLE		DOCUMENT NO. SD-78172-008		SHEET NO. 1 OF 2	
				THIS DRAWING CONTAINS INFORMATION THAT IS PROPRIETARY TO MOLEX INCORPORATED AND SHOULD NOT BE USED WITHOUT WRITTEN PERMISSION					

10 9 8 7 6 5 4 3 2 1



CUSTOMER PULL OUT DIRECTION

REVISED EC NO: J2010-0783 DRWN: CWLAM 2009/11/12 CHKD: LSLEE 2009/12/11 APPR: NUKITA 2009/12/14	QUALITY SYMBOLS ▽=0 ◻=0	GENERAL TOLERANCES (UNLESS SPECIFIED)		DIMENSION STYLE MM ONLY	SCALE NTS	DESIGN UNITS METRIC	THIRD ANGLE PROJECTION			
			mm	INCH	DRAWN BY CWLAM	DATE 2007/11/05	TITLE 1.20MM PITCH, W-T-B 1.40MM HEIGHT RECEPTACLE CONNECTOR			
		4 PLACES ± --- ± ---	3 PLACES ± --- ± ---	2 PLACES ± 0.30 ± ---	1 PLACE ± --- ± ---	CHECKED BY KSSHANTHA	DATE 2007/12/07	MOLEX INCORPORATED		
		ANGULAR ± 1 °		DRAFT WHERE APPLICABLE MUST REMAIN WITHIN DIMENSIONS		APPROVED BY NAGESGKN	DATE 2007/12/14	MATERIAL NO. SEE TABLE	DOCUMENT NO. SD-78172-008	SHEET NO. 2 OF 2

9 8 7 6 5 4 3 2 1