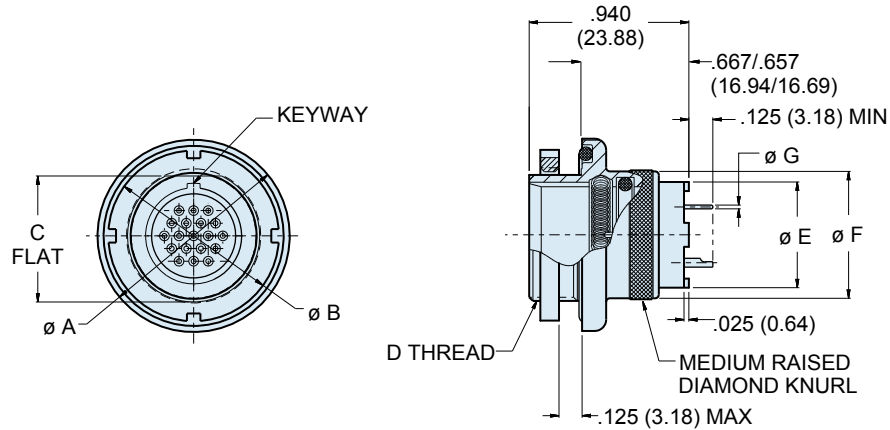


Series 804 Push-Pull Mighty Mouse
Hermetic Receptacle
804-006-07 Dimensions



Series 804

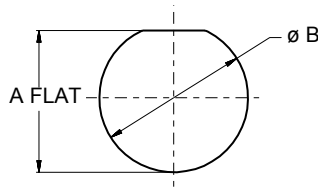
Jam nut, rear panel mount receptacle - shell style 07



Rear Panel Jam Nut
804-006-07

Dimensions												
Shell Size	Ø A		Ø B		C Flat		D Threads	Ø E		Ø F		Ø G Tail Dia.
	In.	mm.	In.	mm.	In.	mm.		In.	mm.	In.	mm.	
5	.790	20.07	.562	14.27	.415	10.54	.4375-32 UN-2A	.244	6.20	.450	11.43	#23 .018/.022 (0.46/0.56) #20 .024/.028 (0.61/0.71) #16 .060/.064 (1.52/1.63) #12 .092/.096 (2.34/2.44)
6	.830	21.08	.625	15.87	.467	14.40	.5000-32 UN-2A	.336	8.53	.520	13.21	
7	.910	23.11	.750	19.05	.594	15.09	.6250-28 UN-2A	.432	10.97	.580	14.73	
8	.955	24.26	.750	19.05	.594	15.09	.6250-28 UN-2A	.493	12.52	.603	15.32	
9	1.000	25.40	.812	20.62	.655	16.64	.6875-28 UN-2A	.551	14.00	.695	17.65	
10	1.085	27.48	.875	22.22	.721	18.31	.7500-28 UN-2A	.620	15.75	.735	18.67	
11	1.135	28.83	.938	23.83	.788	20.02	.8125-28 UN-2A	.662	16.81	.810	20.57	
12	1.180	29.97	1.000	25.40	.843	21.41	.8750-28 UN-2A	.703	17.86	.880	22.35	
14	1.325	33.66	1.125	28.57	.968	24.59	1.0000-28 UN-2A	.863	21.92	1.010	25.65	

Rear Mount Jam Nut Panel Cutout					
Shell Size	A Flat		Ø B		±.002
	In.	mm.	In.	mm.	
5	.425	10.8	.448	11.38	±0.05
6	.477	12.12	.510	12.95	±.005
7	.604	15.34	.635	16.13	±0.13
8	.604	15.34	.635	16.13	
9	.665	16.89	.695	17.65	
10	.731	18.57	.760	19.30	
11	.798	20.26	.822	20.88	
12	.853	21.67	.885	22.48	
14	.978	28.84	1.010	25.65	



Dimensions in Inches (millimeters) are subject to change without notice.