

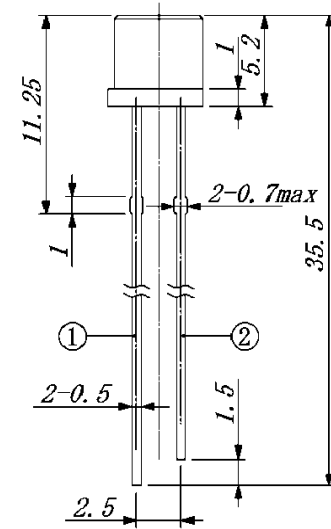
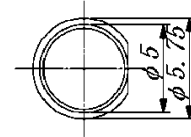
## MT4730NF-WT

### Features

High Power Output  
High Reliability

### Applications

Fiber Optic Communications  
Indicator



① Anode      ② Cathode

### Maximum Ratings (Ta=25°C)

| Characteristic         | Symbol           | Max.         | Test Condition    | Unit |
|------------------------|------------------|--------------|-------------------|------|
| Forward Current        | I <sub>F</sub>   | 30           | –                 | mA   |
| Pulsed Forward Current | I <sub>FP</sub>  | .30          | tw=10S,<br>T=10mS | A    |
| Reverse Voltage        | V <sub>R</sub>   | 5            | –                 | V    |
| Power Dissipation      | P <sub>D</sub>   | 120.00       | –                 | mW   |
| Operating Temperature  | T <sub>opr</sub> | -20 ~ +80    | –                 | °C   |
| Storage Temperature    | T <sub>stg</sub> | -30<br>~+100 | –                 | °C   |
| Junction Temperature   | T <sub>j</sub>   | 100          | –                 | °C   |
| Soldering Temperature  | T <sub>sol</sub> | 260          | for 5 sec. max    | °C   |

### Opto-Electrical Characteristics (Ta=25°C)

| Characteristic            | Symbol         | Test Condition       | Min | Typ          | Max  | Unit |
|---------------------------|----------------|----------------------|-----|--------------|------|------|
| Forward Voltage           | V <sub>F</sub> | I <sub>F</sub> =20mA | –   | 3.60         | 4.00 | V    |
| Reverse Current           | I <sub>R</sub> | V <sub>R</sub> =5V   | –   | –            | 100  | μA   |
| Power Output              | PO             | I <sub>F</sub> =     | –   | –            | –    | mW   |
| Half Intensity Beam Angle | θ              | –                    | –   | ± 45°        | –    | deg. |
| Peak Wavelength           | λ <sub>p</sub> | I <sub>F</sub> =20mA | –   | 465          | –    | nm   |
| Dominant Wavelength       | λ <sub>d</sub> | I <sub>F</sub> =20mA | –   | x=.31, y=.32 | –    | nm   |
| Spectral Line Half Width  | Δλ             | I <sub>F</sub> =20mA | –   | 28           | –    | nm   |
| Luminous Intensity        | I <sub>v</sub> | I <sub>F</sub> =20mA | –   | 200.00       | –    | mcd  |

### Company Headquarters

3 Northway Lane North  
Latham, New York 12110  
Toll Free: 800.984.5337  
Fax: 518.785.4725

### West Coast Sales Office

950 South Coast Drive, Suite 265  
Costa Mesa, California 92626  
Toll Free: 800.984.5337  
Fax: 714.850.9314

## MT4730NF-WT Graphs

