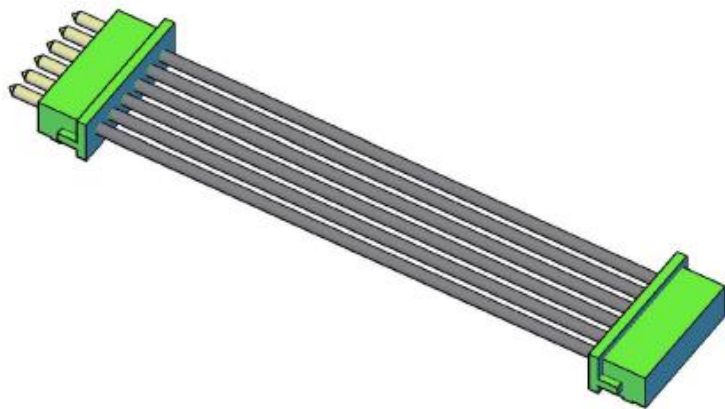
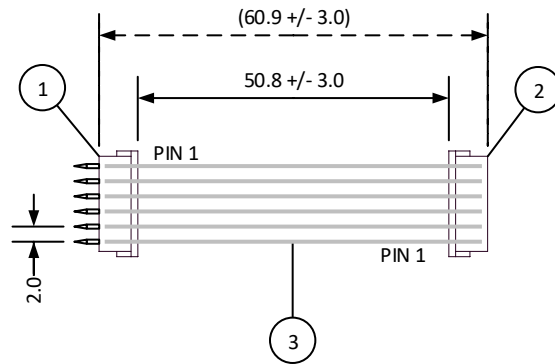


	4	3	2	1																																																																																	
ITEM	CONNECTOR PART NO.	DESCRIPTION	IPI CHECK	EOR CHECK	Applicable Tooling																																																																																
1	See Table 1	DA CONNECTOR			<table border="1"> <thead> <tr> <th colspan="5">TABLE 1</th> </tr> <tr> <th>ITEM</th> <th>NUMBER OF CIRCUITS</th> <th>CONNECTOR PART NO.</th> <th>ASSEMBLY PART NUMBER</th> <th>TOTAL WIRE REQUIRED</th> </tr> </thead> <tbody> <tr><td>1</td><td>2</td><td>02DA-8M</td><td>A02KR02DA28W51B</td><td>101.6</td></tr> <tr><td>2</td><td>3</td><td>03DA-8M</td><td>A03KR03DA28W51B</td><td>152.4</td></tr> <tr><td>1</td><td>4</td><td>04DA-8M</td><td>A04KR04DA28W51B</td><td>203.2</td></tr> <tr><td>2</td><td>5</td><td>05DA-8M</td><td>A05KR05DA28W51B</td><td>254</td></tr> <tr><td>1</td><td>6</td><td>06DA-8M</td><td>A06KR06DA28W51B</td><td>304.8</td></tr> <tr><td>2</td><td>7</td><td>07DA-8M</td><td>A07KR07DA28W51B</td><td>355.6</td></tr> <tr><td>1</td><td>8</td><td>08DA-8M</td><td>A08KR08DA28W51B</td><td>406.4</td></tr> <tr><td>2</td><td>9</td><td>09DA-8M</td><td>A09KR09DA28W51B</td><td>457.2</td></tr> <tr><td>1</td><td>10</td><td>10DA-8M</td><td>A10KR10DA28W51B</td><td>508</td></tr> <tr><td>2</td><td>11</td><td>11DA-8M</td><td>A11KR11DA28W51B</td><td>558.8</td></tr> <tr><td>1</td><td>12</td><td>12DA-8M</td><td>A12KR12DA28W51B</td><td>609.6</td></tr> <tr><td>2</td><td>13</td><td>13DA-8M</td><td>A13KR13DA28W51B</td><td>660.4</td></tr> <tr><td>1</td><td>14</td><td>14DA-8M</td><td>A14KR14DA28W51B</td><td>711.2</td></tr> <tr><td>2</td><td>15</td><td>15DA-8M</td><td>A15KR15DA28W51B</td><td>762</td></tr> </tbody> </table>	TABLE 1					ITEM	NUMBER OF CIRCUITS	CONNECTOR PART NO.	ASSEMBLY PART NUMBER	TOTAL WIRE REQUIRED	1	2	02DA-8M	A02KR02DA28W51B	101.6	2	3	03DA-8M	A03KR03DA28W51B	152.4	1	4	04DA-8M	A04KR04DA28W51B	203.2	2	5	05DA-8M	A05KR05DA28W51B	254	1	6	06DA-8M	A06KR06DA28W51B	304.8	2	7	07DA-8M	A07KR07DA28W51B	355.6	1	8	08DA-8M	A08KR08DA28W51B	406.4	2	9	09DA-8M	A09KR09DA28W51B	457.2	1	10	10DA-8M	A10KR10DA28W51B	508	2	11	11DA-8M	A11KR11DA28W51B	558.8	1	12	12DA-8M	A12KR12DA28W51B	609.6	2	13	13DA-8M	A13KR13DA28W51B	660.4	1	14	14DA-8M	A14KR14DA28W51B	711.2	2	15	15DA-8M	A15KR15DA28W51B	762
TABLE 1																																																																																					
ITEM	NUMBER OF CIRCUITS	CONNECTOR PART NO.	ASSEMBLY PART NUMBER	TOTAL WIRE REQUIRED																																																																																	
1	2	02DA-8M	A02KR02DA28W51B	101.6																																																																																	
2	3	03DA-8M	A03KR03DA28W51B	152.4																																																																																	
1	4	04DA-8M	A04KR04DA28W51B	203.2																																																																																	
2	5	05DA-8M	A05KR05DA28W51B	254																																																																																	
1	6	06DA-8M	A06KR06DA28W51B	304.8																																																																																	
2	7	07DA-8M	A07KR07DA28W51B	355.6																																																																																	
1	8	08DA-8M	A08KR08DA28W51B	406.4																																																																																	
2	9	09DA-8M	A09KR09DA28W51B	457.2																																																																																	
1	10	10DA-8M	A10KR10DA28W51B	508																																																																																	
2	11	11DA-8M	A11KR11DA28W51B	558.8																																																																																	
1	12	12DA-8M	A12KR12DA28W51B	609.6																																																																																	
2	13	13DA-8M	A13KR13DA28W51B	660.4																																																																																	
1	14	14DA-8M	A14KR14DA28W51B	711.2																																																																																	
2	15	15DA-8M	A15KR15DA28W51B	762																																																																																	
2	See Table 1	KR CONNECTOR																																																																																			
3	UL1061, 28 AWG	WHITE																																																																																			



SCALE 1:1		
DIMENSIONS All dimensions are in MM with a tolerance of +/- 3.0 unless otherwise specified.	CUSTOMER NAME	CUSTOMER PART NO.
	DESCRIPTION 2.0 mm Pitch DA to KR Standard Catalog Assembly - 2" Overall Length - Pin out: 1 to N	
DRAWN BY STEVEN PILKINGTON	ASSEMBLY PART NO. SEE TABLE 1	
CHECKED BY JUSTIN BAKER	DRAWING NO. & REVISION GAM-034	REVISED 3/4/2016



REV.	DESCRIPTION	DATE	BY
------	-------------	------	----

4

3

2

1