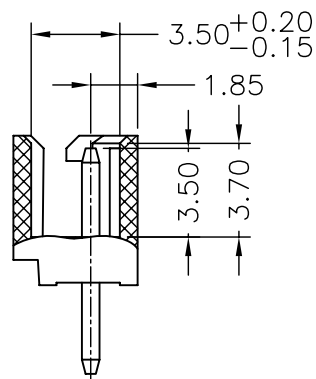
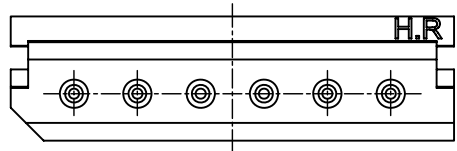


MATED CONDITION



P/N LEGEND

A2506		WV-XP		XXX	
①	②	③	④	⑤	⑥
① Series No.					
② Connector type: WV=Vertical					
③ No. of circuits					
④ Option code:					
Blank=Nylon66-V0, Beige(7506C), Tin-plated					
BE=Nylon66-V0, Beige(7506C), Tin-plated					
BK=Nylon66-V0, Natural(Black), Tin-plated					
6TG=Nylon6T-V0, Natural(Beige), Gold-flash					
NF=Nylon66-V2, NO FLAME, Natural(Beige)					
Tin-plated, IEC 60335-1 rev. 4					
6T=Nylon6T-V0, Natural(Beige), Tin-plated					

SPECIFICATIONS

Current Rating: 3A AC,DC
 Voltage Rating: 250V AC,DC
 Temperature Range: -25°C ~ +85°C
 Contact Resistance: 20mΩ Max
 Insulation Resistance: 1000MΩ Min
 Withstanding Voltage: 1000V AC/minute
 Pin Material: Brass

Circuit No.	Dimensions		
	A	B	C
02P	2.50	7.50	6.12
03P	5.00	10.00	8.62
04P	7.50	12.50	11.12
05P	10.00	15.00	13.62
06P	12.50	17.50	16.12
07P	15.00	20.00	18.62
08P	17.50	22.50	21.12
09P	20.00	25.00	23.62
10P	22.50	27.50	26.12
11P	25.00	30.00	28.62
12P	27.50	32.50	31.12
13P	30.00	35.00	33.62
14P	32.50	37.50	36.12
15P	35.00	40.00	38.62
16P	37.50	42.50	41.12

						燦達電子工業股份有限公司 JOINT TECH ELECTRONIC IND. CO., LTD.				
UNIT	SCALE	SHEET	TITLE:							
mm	1 : 1	1 of 1	2.50mm PITCH 180° WAFER							
DRAWN BY		APPROVED BY						DRAW NO. :		
董正一		董正一						A2506WV-XP		
2001.02.01		2001.02.01						REV. B5		
B5	EN1502130004	2015.03.09	郭木思	GENERAL TOLERANCE						
B4	EN1408180001	2014.08.15	黃培軍	X. X±0.25	ANGLE±					
B3	EN1104060085	2011.04.06	陳錦展	X. XX±0.15						
REV.	DESCRIPTION	DATE	NAME	X. XXX±0.05						