

Product Information

SFP-40-W Series

100M SFP Modules



Features

- ❖ Single + 3.3 V power Supply
- ❖ Small Form Factor Pluggable MSA Compliant.
- ❖ PECL Differential Inputs and Output
- ❖ TTL Signal Detect Indicator.
- ❖ For Single Mode Applications
- ❖ Compliant with SONET / SDH Standard
- ❖ LC Duplex Connector
- ❖ Class 1 Laser International Safety Standard IEC 825 Compliant
- ❖ Industrial Operation Temp.: -40°C to +85 °C
- ❖ RoHS Compliant



Henrich Electronics Corporation

Main Office

Tel: 860-487-9869

Fax: 860-487-9478

www.henrich-inc.com

Introduction

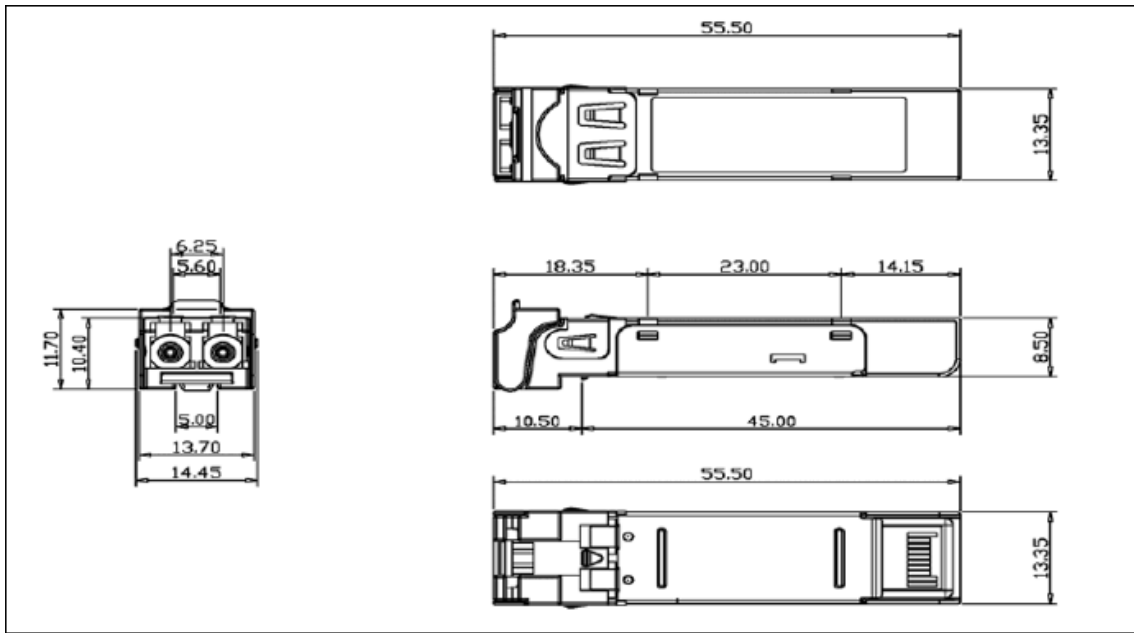
The transceiver from Henrich is small form factor pluggable module with standard LC duplex connector for fiber communications. This module is designed for single mode fiber and operates at a nominal wavelength of 1310 nm with cost effective and high performance. It is with the SFP 20-pin connector to allow hot plug capability.

Specifications

| Absolute Maximum Ratings | |
|--|-----------------------------|
| Supply Voltage | 0~5V |
| Storage Temperature | -40 to +85°C |
| Operating Temperature | 0 to +70°C |
| Lead Soldering Limits | MAX: 260/10°C /sec |
| General Specifications | |
| Data Rate | 50 to 200Mbps, Typ: 155Mbps |
| Supported Link Length on 9/125µm SMF | 40Km |
| Transmitter Electrical Characteristics | |
| Supply Voltage | 3.15 to 3.45V, type:3.3V |
| Data Differential Input Voltage | 300 to 1600mV |
| Disable Input Voltage | -1.81 to -1.48V |
| Enable Input Voltage | -1.16 to -0.88V |
| Transmitter Optical Characteristics | |
| Output Optical Power on 9µm SMF : | -15 to 0dBm |
| Center Wavelength : | 1280 to 1340nm, Type:1310 |
| Spectral Width (RMS) | Type: 2nm |
| Optical Rise Time (20%-80%) | Max: 2ns |
| Optical Fall Time (20%-80%) | Max: 2ns |
| Extinction Ratio | Min: 8.2dB |

| Receiver Electrical Characteristics | |
|-------------------------------------|--------------------------|
| Supply Voltage | 3.15 to 3.45V, type:3.3V |
| Data Differential Output Voltage | 300 to 1000mV |
| Data Output Rise Time (20%-80%) | Max: 2ns |
| Data Output Fall Time (20%-80%) | Max: 2ns |
| Receiver Optical Characteristics | |
| Maximum Receiver Power | Min: -3dBm |
| Receiver Sensitivity | Type: -34dBm |
| Operating Wavelength | 1100 to 1600nm |
| Signal Detect-Asserted | Max:- 34dBm avg. |
| Signal Detect-Deasserted | Min: -46dBm avg. |
| Signal Detect-Hysteresis | Min:0.5dB |

Dimension drawings



Units:mm

Ordering Information

| | |
|----------|---|
| SFP-40-W | Single Mode Fiber Port with LC Connector, 40KM, Industrial Wide Temperature:-40°C to +75°C. |
|----------|---|