

PLEASE CHECK WWW.MOLEX.COM FOR LATEST PART INFORMATION

Part Number: [0008580121](#)
Status: **Active**
Overview: [kk](#)
Description: 3.96mm (.156") Pitch KK® Crimp Terminal 2478, 18-24 AWG, Reel, Phosphor Bronze, 0.51µm (20µ") Selective Gold (Au)

Documents:

[Drawing \(PDF\)](#) [RoHS Certificate of Compliance \(PDF\)](#)
[Product Specification PS-08-50 \(PDF\)](#)

General

Product Family Crimp Terminals
 Series [2478](#)
 Crimp Quality Equipment Yes
 Overview [kk](#)
 Product Name KK®

Physical

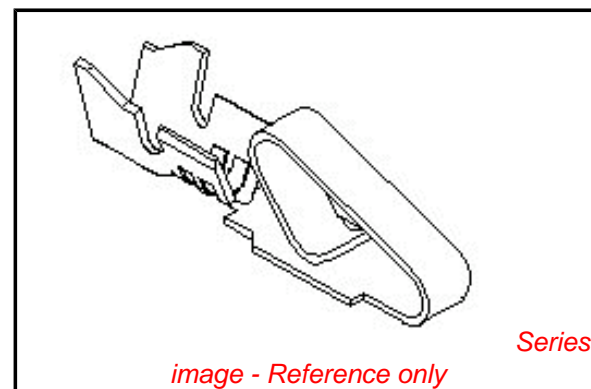
Gender Female
 Material - Metal Phosphor Bronze
 Material - Plating Mating Gold
 Material - Plating Termination Gold
 Packaging Type Reel
 Plating min: Mating (µin) 15
 Plating min: Mating (µm) 0.375
 Plating min: Termination (µin) 2
 Plating min: Termination (µm) 0.05
 Termination Interface: Style Crimp or Compression
 Wire Insulation Diameter 2.79mm (.110") max.
 Wire Size AWG 18, 20, 22, 24
 Wire Size mm² N/A

Material Info

Old Part Number 2478-3-(550)

Reference - Drawing Numbers

Product Specification PS-08-50
 Sales Drawing SD-2478



EU RoHS

ELV and RoHS Compliant
REACH SVHC
Contains SVHC: No
Halogen-Free Status

China RoHS



Need more information on product environmental compliance?

Email productcompliance@molex.com
 For a multiple part number RoHS Certificate of Compliance, [click here](#)

Please visit the [Contact Us](#) section for any non-product compliance questions.

Search Parts in this Series

[2478Series](#)

Use With

[2574](#) , [2139](#) , [41695](#) , [3069](#) , [6422](#) , [5265](#) , [5239](#)

Application Tooling | FAQ

Tooling specifications and manuals are found by selecting the products below. Crimp Height Specifications are then contained in the Application Tooling Specification document.

Global

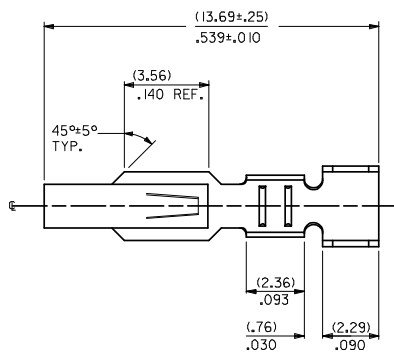
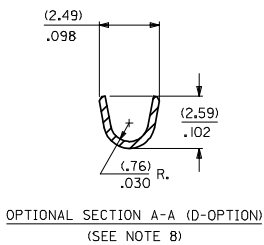
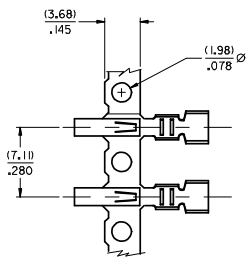
Description	Product #
Extraction Tool	0011030016
Terminator Die	0011402096
Hand Crimper	0638117500
FineAdjust™	0639007200
Applicator for KK® and Trifurcon™ Crimp Terminal	
FineAdjust for Mini-Fit Jr.™	0639007300

Crimp Terminals

Special
cut-off tab width
for 2478 Series
terminals using the
7241 Series IDT
housing only. 2478
Series terminals
are not rated for
USCAR21compliance.

This document was generated on 06/07/2010

PLEASE CHECK WWW.MOLEX.COM FOR LATEST PART INFORMATION



2478- * * * * *

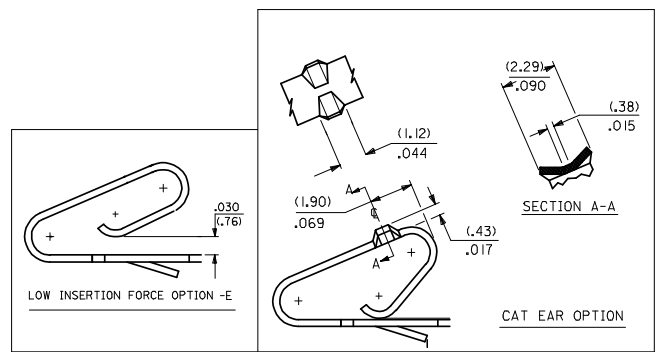
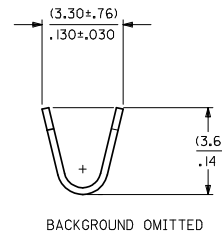
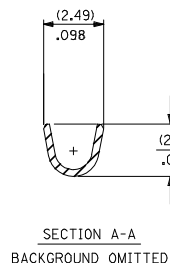
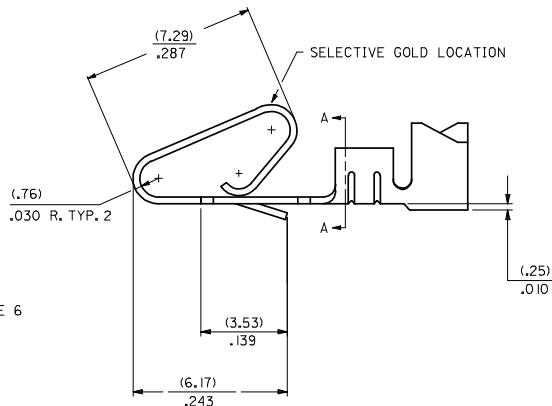
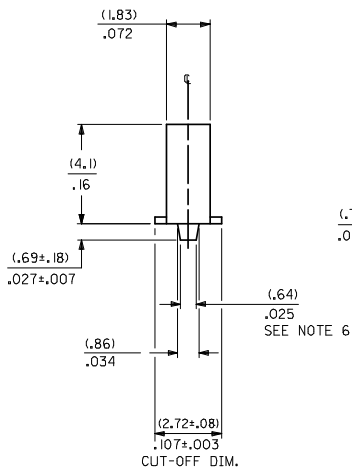
MATERIAL CODE
(.27)/.0106 THK
1=BRASS
3=PHOS BRONZE

OPTION CODE
BLANK=AS SHOWN
C=CAT EAR OPTION
D=OPTIONAL CONDUCTOR CRIMP (FOR IRELAND) (SEE OPT. SECTION A-A) WITHOUT CAT EARS
E=LOW INSERTION FORCE OPTION

WINDING SPEC.
A=PER ES-339-A
BLANK=PER ES-339-B
L=LOOSE

FINISH: PER SDES-88
(P909) *OVERALL HOT TIN DIP: 2.54 MICROMETERS MIN.
(550) SELECT GOLD: 0.38 MICROMETERS MIN, OVERALL GOLD FLASH: 0.05 MICROMETERS MIN, OVERALL NICKEL UNDERPLATE: 0.76 MICROMETERS MIN.
(555) SELECT GOLD: 0.38 MICROMETERS MIN, OVERALL NICKEL UNDERPLATE: 0.76 MICROMETERS MIN.

*THE PRIMARY SHIPPING CARTON WILL BE LABELED "COMPLIANT TO RoHS DIRECTIVE 2002/95/EC AND ELV ANNEX II OF DIRECTIVE 2000/53/EC". CARTONS WITHOUT THIS LABEL MAY CONTAIN PRODUCT WITH TIN/LEAD PLATING.



- NOTES:
- CRIMP ACCEPTS 18 TO 24 GA. WIRE WITH (2.79)/.110 MAX. INSUL. DIA.; WHEN USED WITH 2574 CONNECTOR, (2.54)/.100 MAX. INSUL. DIA. WHEN USED WITH 2139 CONNECTOR; HOUSING 41695 IS RECOMMENDED FOR OVER (2.54)/.100 DIA. INSULATION. CRIMP ACCEPTS (3.00)/.118 MAX. INSUL. DIA. WITH SPECIAL TOOLING.
 - DIMENSIONS GIVEN ACROSS CENTERLINES ARE SYMMETRICAL ABOUT THOSE CENTERLINES WITHIN HALF THE TOTAL TOLERANCE.
 -
 -
 -
 - (.86±.05)/.034±.002 IS AN OPTIONAL DESIGN.
 - THIS PART CONFORMS TO PRODUCT SPEC. 08-50.
 - CONDUCTOR CRIMP FOR 16 AWG. WIRE WITH .110 MAX. INSULATION DIA.

CHANGE TO ME10 EC NO: UCP2005-0902 DRAWN BY: DRWNADRAIROL 2004/11/16 CHKD BY: CHKD SAMIEC 2006/03/28 APPROVED BY: APPROV MARCULIS 2004/10/28	QUALITY SYMBOLS ▽=0 ▽=0	GENERAL TOLERANCES (UNLESS SPECIFIED)		DIMENSION STYLE	SCALE	DESIGN UNITS	THIRD ANGLE PROJECTION
		mm	INCH	IN/MM	INCH	INCH	INCH
		4 PLACES ±---	±---	DRAWN BY: SAMIEC	DATE: 06/03/86	TITLE: CRIMP TERMINAL .156 CENTERS 18 TO 24 GA WIRE	
		3 PLACES ±---	±.010	CHECKED BY: PATEL	DATE: 06/03/86	MOLEX INCORPORATED	
		2 PLACES ±.25	±.014	APPROVED BY: LENZ	DATE: 06/03/86	MATERIAL NO. SEE CHART DOCUMENT NO. SD-2478	
		1 PLACE ±0.36	±---	ANGULAR ±1/2°		SHEET NO. 1 OF 2	
DRAFT WHERE APPLICABLE MUST REMAIN WITHIN DIMENSIONS		SIZE D		THIS DRAWING CONTAINS INFORMATION THAT IS PROPRIETARY TO MOLEX INCORPORATED AND SHOULD NOT BE USED WITHOUT WRITTEN PERMISSION			

	20	19	18	17	16	15	14	13	12	11	2478	9	8	7	6	2478	4	3	2	1				
M	2478-1-(***)*			2478-3-(***)*			2478-IC-(***)*			2478-3C-(***)*			2478-ID-(***)*			2478-3E-(***)*								
	PART NO.	ENG. NO.		PART NO.	ENG. NO.		PART NO.	ENG. NO.		PART NO.	ENG. NO.		PART NO.	ENG. NO.		PART NO.	ENG. NO.		PART NO.	ENG. NO.				
L	08-50-0105	2478-1-(P909)		08-52-0071	2478-3-(P909)		08-50-0014	2478-IC-(P909)		08-52-0044	2478-3C-(P909)		08-50-0055	2478-ID-(P909)										
	08-50-0106	2478-1-(P909)L		08-52-0072	2478-3-(P909)L		08-50-0045	2478-IC-(P909)L		08-52-0045	2478-3C-(P909)L		08-50-0056	2478-ID-(P909)L										
	08-56-0105	2478-1-(550)		08-65-0114	2478-3-(555)		08-50-0047	2478-IC-(P102)		08-52-0023	2478-3C-(102)													
	08-56-0106	2478-1-(550)L		08-65-0115	2478-3-(555)L		08-50-0046	2478-IC-(P102)L		08-52-0024	2478-3C-(102)L													
	08-55-0103	2478-1-(555)		08-52-0073	2478-3-(P102)		08-50-0091	2478-IC-(102)		08-52-0027	2478-3C-(122)													
	08-55-0104	2478-1-(555)L		08-52-0074	2478-3-(P102)L		08-50-0093	2478-IC-(102)L		08-52-0027	2478-3C-(122)L													
	08-50-0146	2478-1-(109)		08-52-0811	2478-3-(102)					08-52-0047	2478-3C-(P102)													
	08-50-0147	2478-1-(109)L		08-52-0812	2478-3-(102)L					08-52-0046	2478-3C-(P102)													
	08-50-0119	2478-1-(122)		08-50-0281	2478-3-(122)																			
	08-50-0120	2478-1-(122)L																						
K	08-50-0271	2478-1-(P909)A		08-58-0121	2478-3-(550)																			
		2478-1-(509)A		08-58-0122	2478-3-(550)L																			
	08-56-0153	2478-1-(507)		08-58-0103	2478-3-(591)																			
	08-56-0154	2478-1-(507)L		08-58-0104	2478-3-(591)L																			
		2478-1-(506)		08-58-0114	2478-3-(558)																			
		2478-1-(506)L		08-58-0115	2478-3-(558)L																			
J	08-50-0015	2478-1-(102)																						
	08-50-0016	2478-1-(102)L																						
	08-52-0114	2478-1-(P909)																						
	08-52-0115	2478-1-(P909)L																						
		2478-1-(132)																						
		2478-1-(132)L																						
	08-50-0001	2478-1-(P224)																						
	08-50-0006	2478-1-(P224)L																						
I	08-50-0063	2478-1-(224)																						
	08-50-0064	2478-1-(224)L																						
	08-55-0133	2478-1-(561)																						
	08-55-0134	2478-1-(561)L																						
	08-50-0073	2478-1-(P102)																						
	08-50-0074	2478-1-(P102)L																						
H																								
G																								
F																								
E																								
D																								
C																								
B																								
A																								

SEE SHEET I	SEE SHEET I	DIMENSIONS SHOWN ARE IN INCH UNLESS OTHERWISE SPECIFIED DIMENSIONS IN PARENTHESIS ARE IN MILLIMETERS 2 PLACE 3 PLACE 4 PLACE 5 PLACE 6 PLACE 7 PLACE 8 PLACE 9 PLACE 10 PLACE 11 PLACE 12 PLACE 13 PLACE 14 PLACE 15 PLACE 16 PLACE 17 PLACE 18 PLACE 19 PLACE 20 PLACE	CRIMP TERMINAL .156 18/24 AWG WIRE MOLEX INCORPORATED U.S. PAT. & TRADE MARK OFFICE 1300 S. MICHIGAN AVE. CHICAGO, ILL. 60605 U.S.A.	SHEET NO. 2 DATE 06/12/86
SEE SHEET I	SEE SHEET I			
SEE SHEET I	SEE SHEET I			
SEE SHEET I	SEE SHEET I			
SEE SHEET I	SEE SHEET I			
SEE SHEET I	SEE SHEET I			
SEE SHEET V	SEE SHEET I	DRAWN BY: SAMIEC CHECKED BY: ADAMK DATE: 06/12/86 SCALE: 1:1 FILE NO.:	SEE CHARTS SD-2478 THE DRAWING CONTAINS INFORMATION THAT IS PROPRIETARY TO MOLEX INC. AND SHALL BE KEPT PRIVATE AND CONFIDENTIAL.	DRG. NO. DESK D