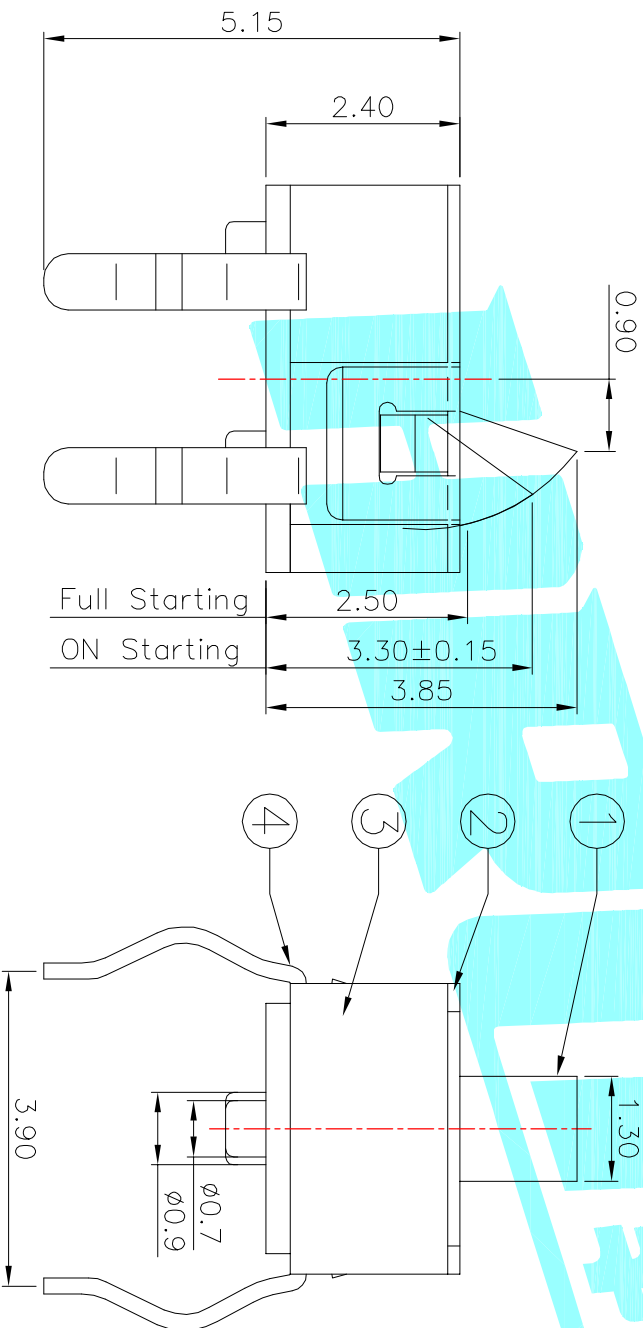
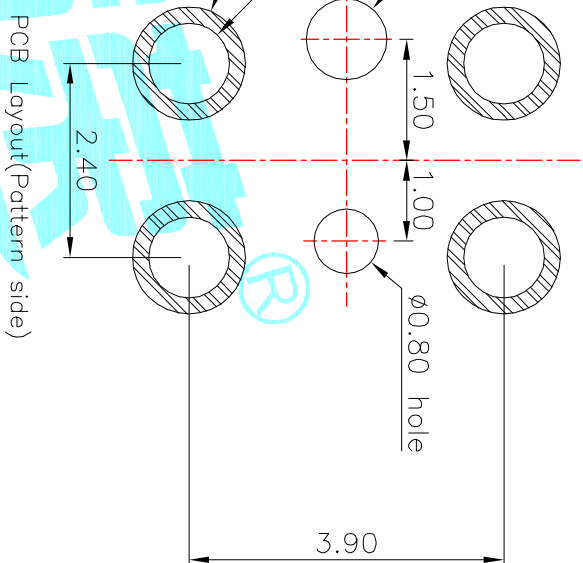


NOTE:
 Rating: DC 30V 0.1A
 Operating Force: $30 \pm 10gf$
 Lifetime: 100,000 Cycles



ITEM	PART NAME	TER'NO.	QTY.	MATERIAL	FINISHING	REMARK
⑤	Contact Spring	—	1	Be Alloy	Ag Plated	—
④	Terminal	—	4	Phosphor Bronze	Ag Plated	—
③	Base	—	1	LCP	Black	—
②	Cover	—	1	SUS	Natural	—
①	Slider	—	1	PA46	Black	—

APPROVALS		DATE
DRAWN	J.X.Zhong	2016/7/21

APPROVALS		TITLE:
CHECKED		DETECTOR SWITCHS

APPROVALS		PART NO.	SCALE:	PROJ:
TOLERANCES ARE	30~12.5 ±0.30 10~30 ±0.20 5~10 ±0.15 ~5 ±0.10	K5-1215DA-01	1:1	PROJ: [Symbol]

PART NO.	
K5-1215DA-01	K5-1215DN-01

--	--

ECN NO.	REV.	DATE.	DESCRIPTION.	CHANGE.	CHECK.	APPRO.
	A		NEW			

30~12.5	10~30	5~10	~5	ANGLE	UNIT:	SCALE:	SHEET
±0.30	±0.20	±0.15	±0.10	±2°	mm	1:1	1 OF 1