

THIS DRAWING IS UNPUBLISHED.

RELEASED FOR PUBLICATION

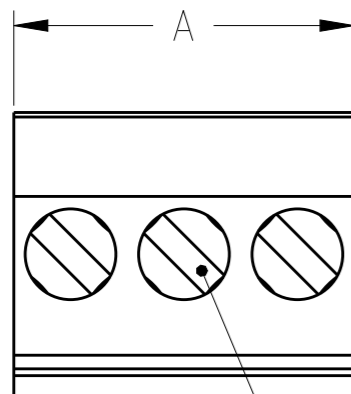
20

© COPYRIGHT 20

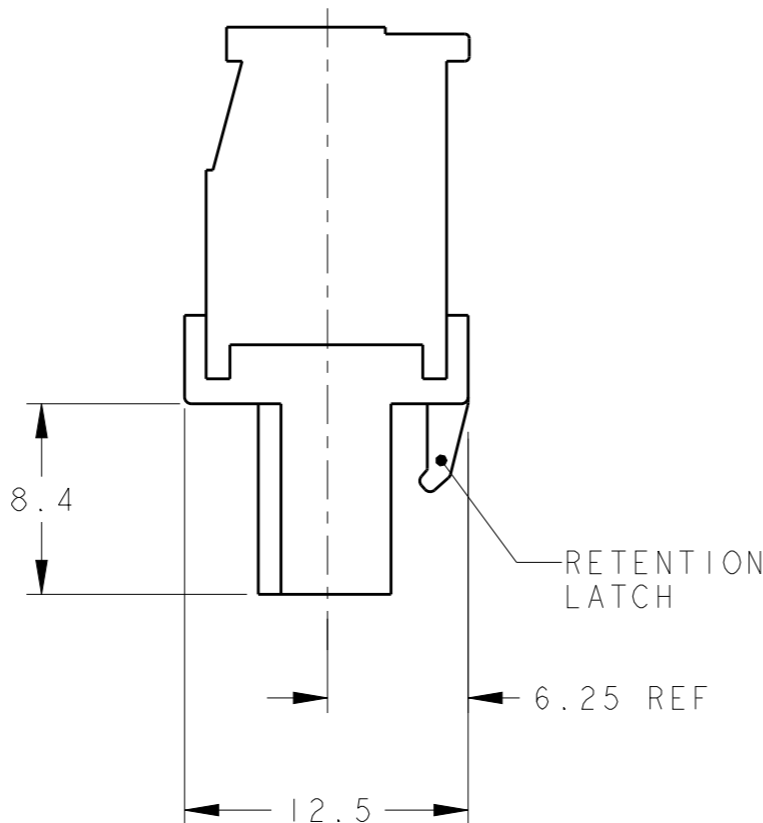
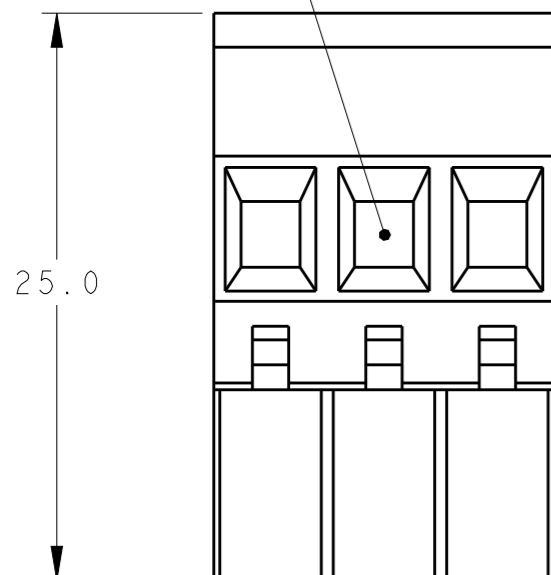
ALL RIGHTS RESERVED.

REVISIONS

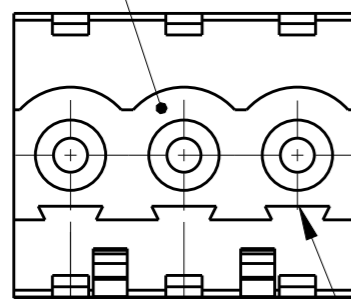
P	LTR	DESCRIPTION	DATE	DWN	APVD
	C2	REVISED PER ECO-13-017507	08NOV2013	KH	MB



WIRE ENTRY CLAMPING SCREW



MATING FACE



2.5 REF TYP

POLARIZATION KEY SLOT

5.00 ± 0.05 TYP

SEE DETAIL N	TIN PLATED	30	6	3-284040-6
SEE DETAIL M		110	22	3-284040-2
-	△4	25	5	2-284040-6
-		125	25	2-284040-5
-		120	24	2-284040-4
-		115	23	2-284040-3
-		110	22	2-284040-2
-		105	21	2-284040-1
-		100	20	2-284040-0
-		95	19	1-284040-9
-		90	18	1-284040-8
-		85	17	1-284040-7
-		80	16	1-284040-6
-		75	15	1-284040-5
-		70	14	1-284040-4
-		65	13	1-284040-3
-		60	12	1-284040-2
-		55	11	1-284040-1
-		50	10	1-284040-0
-		45	9	284040-9
-		40	8	284040-8
-		35	7	284040-7
-		30	6	284040-6
-		25	5	284040-5
-		20	4	284040-4
-		15	3	284040-3
-		10	2	284040-2
MARKING	CONTACT FINISH	A	NO OF POSN	PART NUMBER

THIS DRAWING IS A CONTROLLED DOCUMENT.

DWN S. WELDON 03SEP2002
 CHK C. RICHARD 03SEP2002
 APVD C. RICHARD 03SEP2002

STE TE Connectivity

NAME: TERMINAL BLOCK VERTICAL PLUG
 STACKING LEFT HAND
 5.0mm PITCH

PRODUCT SPEC: -
 APPLICATION SPEC: -
 WEIGHT: -

SIZE: A3 CAGE CODE: 300779 DRAWING NO: C-284040 RESTRICTED TO: -

CUSTOMER DRAWING SCALE: 3:1 SHEET: 1 OF 2 REV: C2

DIMENSIONS: mm TOLERANCES UNLESS OTHERWISE SPECIFIED:
 0 PLC ±.3
 1 PLC ±.25
 2 PLC ±.
 3 PLC ±.
 4 PLC ANGLES ±2

MATERIAL: △1 FINISH: △1

THIS DRAWING IS UNPUBLISHED.

RELEASED FOR PUBLICATION

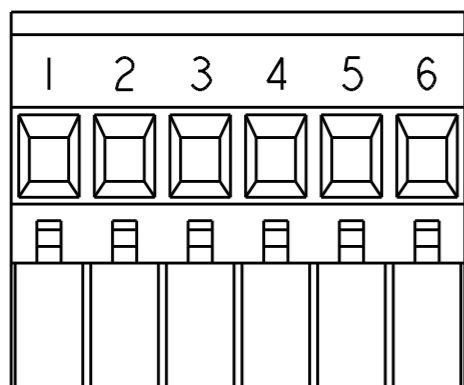
20

© COPYRIGHT 20

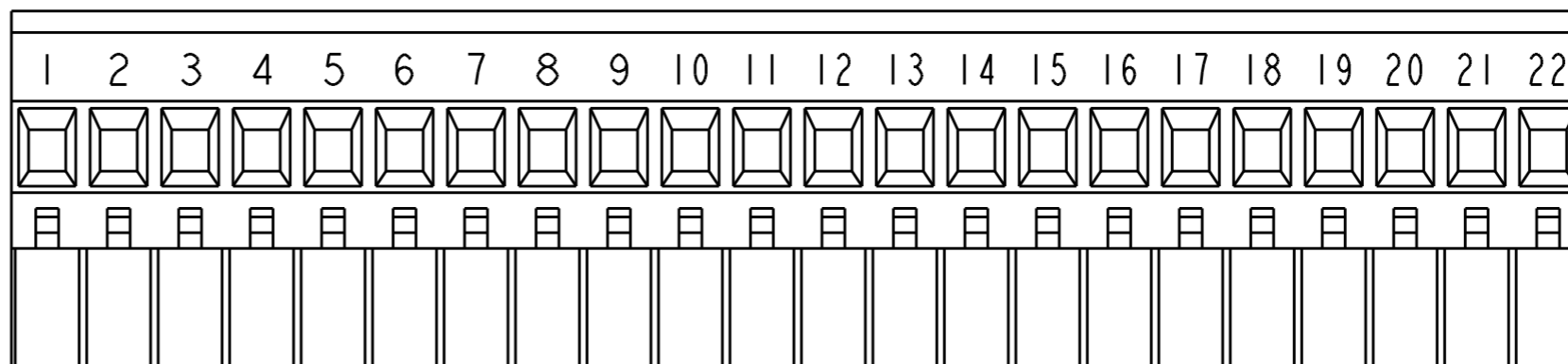
ALL RIGHTS RESERVED.

REVISIONS

P	LTR	DESCRIPTION	DATE	DWN	APVD
-		SEE SHEET 1	-	-	-



DETAIL N
SCALE 2:1 $\triangle 5$



DETAIL M
SCALE 2:1 $\triangle 5$

- $\triangle 1$ MATERIALS AND FINISH
HOUSING: PA 6-6, UL 94-V0, COLOR: GREEN.
CLAMP: BRASS, NICKEL PLATED.
CONTACT SPRING : PHOSPHOR BRONZE, TIN PLATED.
CLAMPING SCREW: M3, BRASS, NICKEL PLATED.
- 2. WIRE SIZE RANGE: 12 - 30 AWG
- $\triangle 3$ NOT CUMULATIVE TOLERANCE.
- $\triangle 4$ 0.00076[.000030] SELECTIVELY GOLD PLATED.
- $\triangle 5$ INK MARKING: WHITE COLOR
NUMERICAL SEQUENCE: FROM LEFT TO RIGHT.
- 6 MECHANICAL CHARACTERISTICS:
INSERTION FORCE: MAX 3N PER POLE
WITHDRAWL FORCE: MIN 1.5N PER POLE
- 7 ELECTRICAL CHARACTERISTICS:
LISTED UNDER UL E60677
VOLTAGE RATING: 300 VOLTS (MAX)
AMPERAGE RATING: 15 AMPS (MAX)

THIS DRAWING IS A CONTROLLED DOCUMENT.		DWN S. WELDON 03SEP2002	STE TE Connectivity	
DIMENSIONS: mm		CHK C. RICHARD 03SEP2002		
TOLERANCES UNLESS OTHERWISE SPECIFIED:		APVD C. RICHARD 03SEP2002	NAME TERMINAL BLOCK VERTICAL PLUG STACKING LEFT HAND 5.0mm PITCH	
0 PLC \pm - 1 PLC \pm .3 2 PLC \pm .25 3 PLC \pm - 4 PLC \pm - ANGLES \pm 2		PRODUCT SPEC -	RESTRICTED TO -	
MATERIAL -		FINISH -	APPLICATION SPEC -	SIZE A3
		WEIGHT -	SCALE 3:1	CAGE CODE 00779
		CUSTOMER DRAWING	DRAWING NO C-284040	SHEET 2 OF 2
			REV C2	