

# KVS-3023

The KVS-3023 is the optical sensor with high sensitivity of the visible light. It is a darlington photo transistor with IR filter inside

## FEATURES

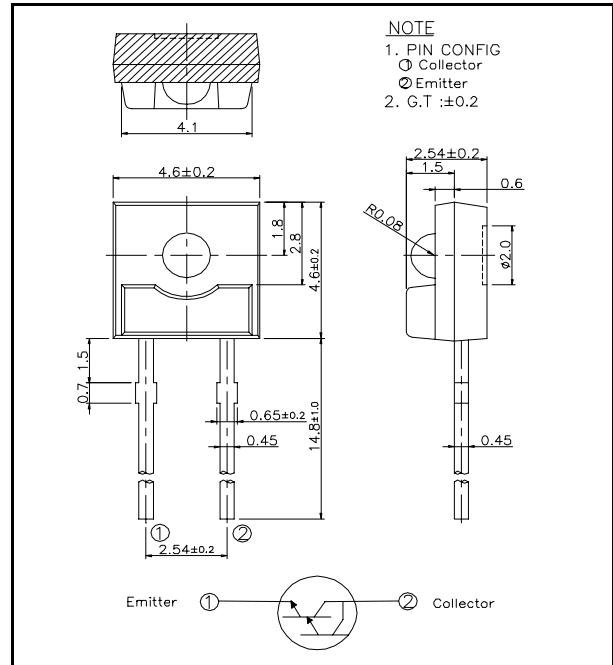
- High sensitivity in a visible area, but little sensitivity in others (UV and IR)
- Environment friendly product (not contain Cadmium)
- Side view package, easy to use.

## APPLICATIONS

- Brightness detection of CRT, LCD
- Replace for CdS cell.
- Control of the lighting in a Car, Room, etc

## DIMENSIONS

(Unit : mm)



## ABSOLUTE MAXIMUM RATINGS

(Ta=25°C)

Item	Symbol	Ratings	Unit
Collector-Emitter Voltage	$V_{CEO}$	8	V
Emitter-Collector Voltage	$V_{ECO}$	5	V
Collector Current	$I_C$	50	mA
Collector Power Dissipation	$P_C$	150	mW
Operating Temperature	$T_{opr.}$	-20 ~ +100	°C
Storage Temperature	$T_{stg.}$	-30 ~ +100	°C
Soldering Temperature (see Note 1)	$T_{sol.}$	260 *1	°C

Notes \*1 : For max. 5 seconds at the position of 2 mm from the package.

## ELECTRO-OPTICAL CHARACTERISTICS

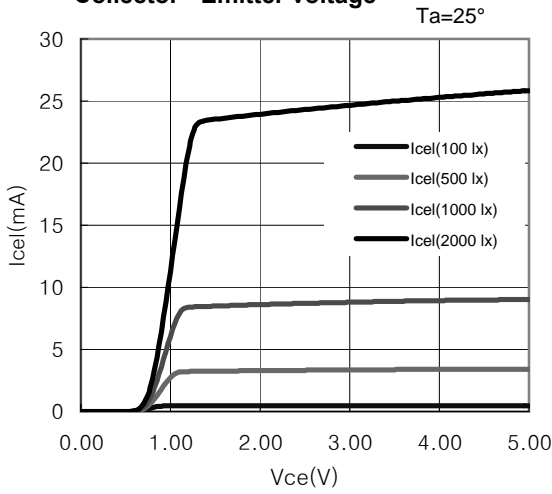
(Ta=25°C)

Item	Symbol	Conditions	Min.	Typ.	Max.	Unit
Collector dark current	$I_{CEO}$	$V_{CE} = 5V$	-	-	1.0	uA
Light current	$I_{CEL}$	$V_{CE}=5V, 100 \text{ lx} *2$	-	450	-	uA
Switching speeds	Rise time	$V_{CC}=5V, I_C=10mA$ $R_L=0.1k\Omega$	-	130	-	usec
	Fall time		-	140	-	usec
Spectral sensitivity	$\lambda$	10%	450 ~ 700			nm
Peak wavelength	$\lambda_p$			600		nm
Half angle	$\Delta\theta$		-	± 30	-	deg.

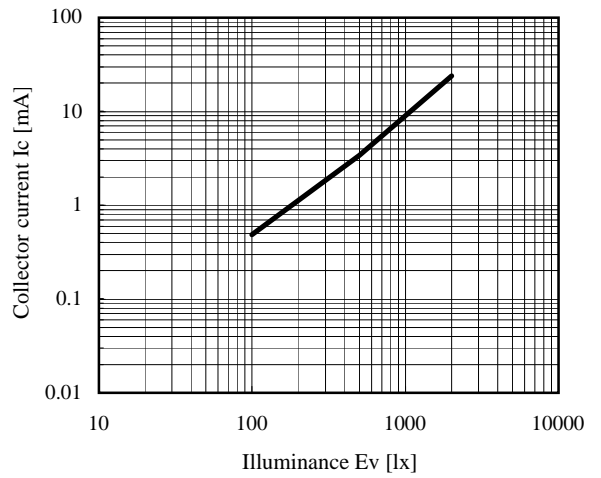
Notes \*2.: Color temp=2856K standard Tungsten Lamp.

KVS-3023

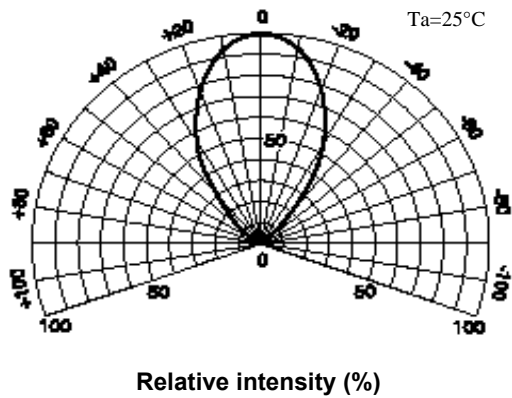
Collector current Vs. Collector - Emitter voltage



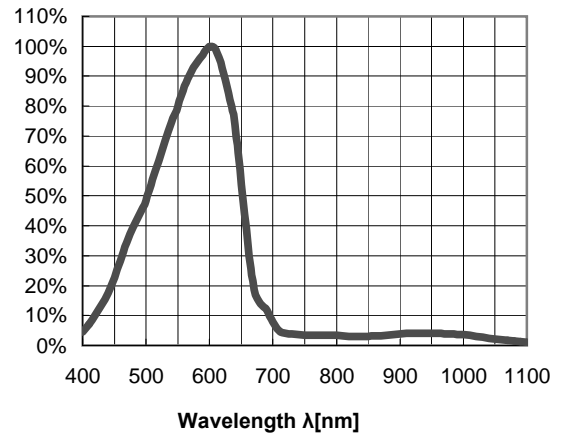
Collector current Vs. Illuminance



Radiant Pattern



Relative intensity vs. Wavelength



Switching time measurement circuit

