


## DIN rail perforated - NS 35/ 7,5 PERF 1000MM - 0807012

Please be informed that the data shown in this PDF Document is generated from our Online Catalog. Please find the complete data in the user's documentation. Our General Terms of Use for Downloads are valid (<http://phoenixcontact.com/download>)



DIN rail perforated, Standard profile, width: 35 mm, height: 7.5 mm, acc. to EN 60715, material: Steel, galvanized, passivated with a thick layer, length: 1000 mm, color: silver

### Key Commercial Data

|                        |   |
|------------------------|---|
| Packing unit           | 10 pc   |
| Minimum order quantity | 10 pc   |
| GTIN                   | <br>4 017918 254889 |
| GTIN                   | 4017918254889   |

### Technical data

#### Dimensions

|                    |          |
|--------------------|----------|
| Height             | 7.5 mm   |
| Length             | 1000 mm  |
| Width              | 35 mm    |
| Hole width         | 15.00 mm |
| Hole height        | 6.20 mm  |
| Drill hole spacing | 25.00 mm |

#### General

|          |   |
|----------|---|
| Material | Steel                                     |
| Coating  | galvanized, passivated with a thick layer |
| Color    | silver                                    |

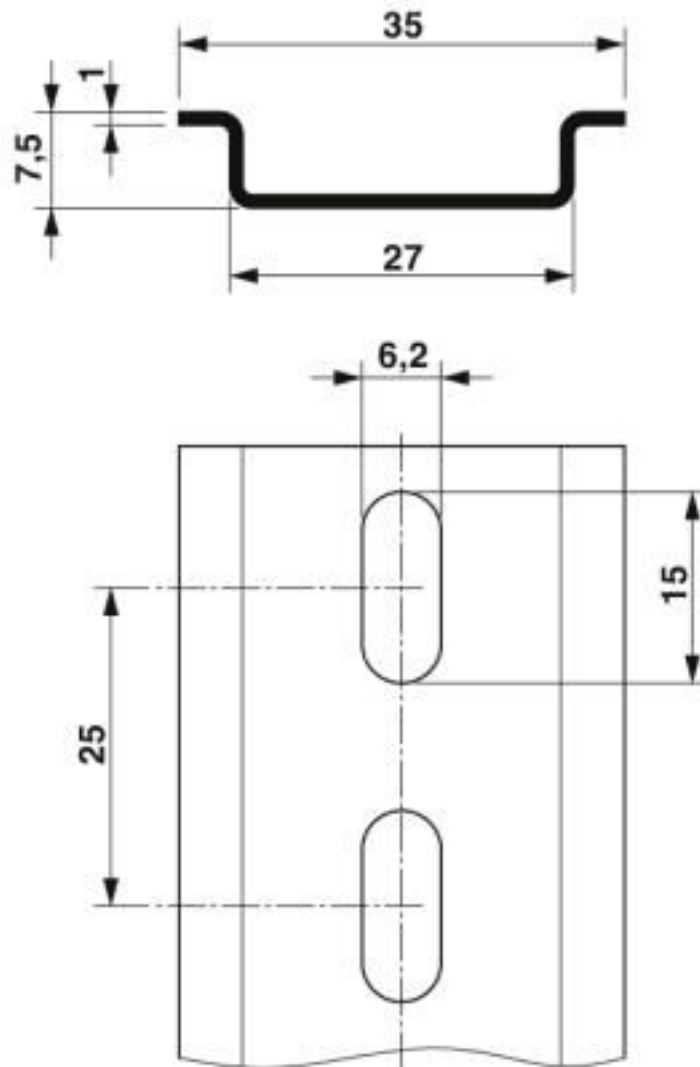
#### Standards and Regulations

|               |                  |
|---------------|------------------|
| Test standard | acc. to EN 60715 |
|---------------|------------------|

### Drawings

# DIN rail perforated - NS 35/ 7,5 PERF 1000MM - 0807012

Dimensional drawing



## Classifications

eCl@ss

|               |          |
|---------------|----------|
| eCl@ss 10.0.1 | 27400602 |
| eCl@ss 4.0    | 27110800 |
| eCl@ss 4.1    | 27110800 |
| eCl@ss 5.0    | 27141100 |
| eCl@ss 5.1    | 27141100 |
| eCl@ss 6.0    | 27400600 |
| eCl@ss 7.0    | 27400602 |
| eCl@ss 8.0    | 27400602 |
| eCl@ss 9.0    | 27400602 |

## DIN rail perforated - NS 35/ 7,5 PERF 1000MM - 0807012

### Classifications

#### ETIM

|          |          |
|----------|----------|
| ETIM 2.0 | EC001285 |
| ETIM 3.0 | EC001285 |
| ETIM 4.0 | EC000212 |
| ETIM 5.0 | EC000212 |
| ETIM 6.0 | EC001285 |
| ETIM 7.0 | EC001285 |

#### UNSPSC

|               |          |
|---------------|----------|
| UNSPSC 6.01   | 30212109 |
| UNSPSC 7.0901 | 39121708 |
| UNSPSC 11     | 39121708 |
| UNSPSC 12.01  | 39121708 |
| UNSPSC 13.2   | 39121708 |
| UNSPSC 18.0   | 39121708 |
| UNSPSC 19.0   | 39121708 |
| UNSPSC 20.0   | 39121708 |
| UNSPSC 21.0   | 39121708 |

Phoenix Contact 2020 © - all rights reserved  
<http://www.phoenixcontact.com>

PHOENIX CONTACT GmbH & Co. KG  
Flachsmarktstr. 8  
32825 Blomberg  
Germany  
Tel. +49 5235 300  
Fax +49 5235 3 41200  
<http://www.phoenixcontact.com>