

PLEASE CHECK WWW.MOLEX.COM FOR LATEST PART INFORMATION

Part Number: [0353010650](#)
Status: **Active**
Description: 2.50mm (.098") Pitch SPOX™ Wire-to-Board Header, Vertical, Shrouded, Tube Packaged Version of 5267, 6 Circuits, Tin (Sn) Plating, with Swaged PC Tails

Documents:

[3D Model](#) [Product Specification PS-35301-001 \(PDF\)](#)
[Drawing \(PDF\)](#) [RoHS Certificate of Compliance \(PDF\)](#)

Agency Certification

CSA LR 19980
 UL E29179

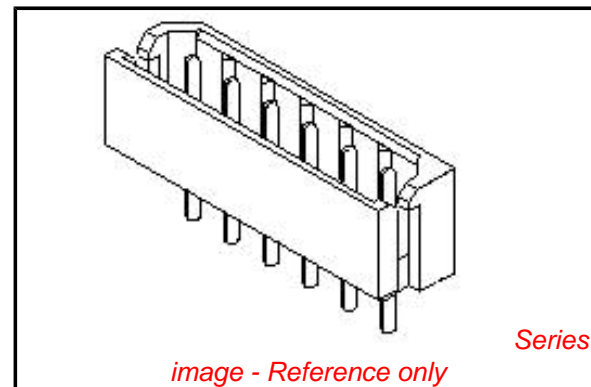
General

Product Family PCB Headers
 Series [35301](#)
 Application Wire-to-Board
 Product Name SPOX™

Physical

Breakaway No
 Circuits (Loaded) 6
 Circuits (maximum) 6
 Color - Resin Natural
 Durability (mating cycles max) 30
 First Mate / Last Break No
 Flammability 94V-0
 Glow-Wire Compliant No
 Guide to Mating Part No
 Keying to Mating Part None
 Lock to Mating Part Yes
 Material - Plating Mating Tin
 Material - Plating Termination Tin
 Material - Resin Nylon
 Number of Rows 1
 Orientation Vertical
 PCB Locator No
 PCB Retention Yes
 PCB Thickness Recommended (in) 0.062 In
 PCB Thickness Recommended (mm) 1.60 mm
 Packaging Type Tube
 Pitch - Mating Interface (in) 0.098 In
 Pitch - Mating Interface (mm) 2.50 mm
 Plating min: Mating (µin) 160
 Plating min: Mating (µm) 4
 Plating min: Termination (µin) 160
 Plating min: Termination (µm) 4
 Polarized to Mating Part Yes
 Polarized to PCB No
 Shrouded Partial
 Stackable No
 Surface Mount Compatible (SMC) No
 Temperature Range - Operating -40°C to +105°C
 Termination Interface: Style Through Hole

Electrical



EU RoHS

ELV and RoHS Compliant
REACH SVHC
 Not Reviewed
Halogen-Free Status
Not Reviewed

China RoHS



Need more information on product environmental compliance?

Email productcompliance@molex.com
 For a multiple part number RoHS Certificate of Compliance, [click here](#)

Please visit the [Contact Us](#) section for any non-product compliance questions.

Search Parts in this Series

[35301Series](#)

Mates With

[5264](#) SPOX™ Wire-to-Board Crimp Housing. [42219](#) SPOX™ IDT Receptacle Housing

Current - Maximum per Contact
Voltage - Maximum

3A
250V

Material Info

Reference - Drawing Numbers

Product Specification
Sales Drawing

PS-35301-001
SD-35301-001, SD-35301-012

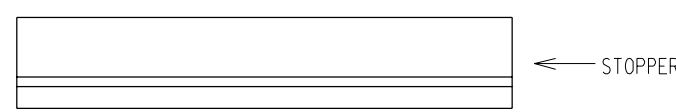
This document was generated on 04/13/2010

PLEASE CHECK WWW.MOLEX.COM FOR LATEST PART INFORMATION

DWG. NO. SD-35301-001

SIMILAR ITEM

PROJECT NO.



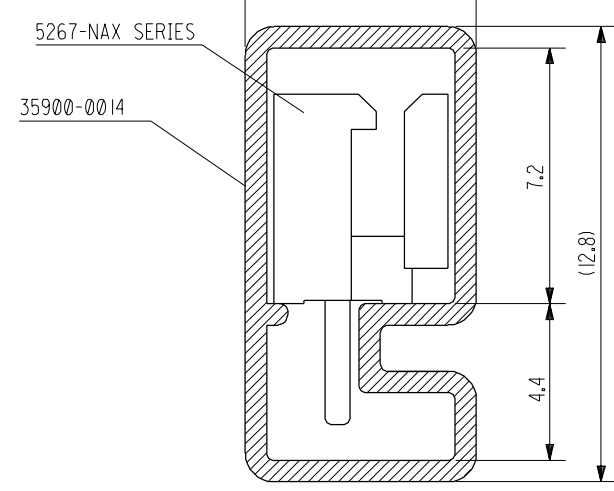
VIEW V

NOTES

1. PACKING TYPE : STOPPER & STICKER LOCKING TYPE(GENERAL)
: VINYL & STOPPER LOCKING TYPE(FOR S/S)
2. THICKNESS : 0.6 †
3. LENGTH : 550 mm

LEGEND

35301- ** 5 *
 COLOR : 0 --- NATURAL
 1 --- BLACK
 2 --- RED
 3 --- YELLOW
 4 --- BLUE
 CKT (02 , 03 , 04)



15	35301-155*	35301155*	10
14	-145*	35301145*	10
13	-135*	35301135*	15
12	-125*	35301125*	15
11	-115*	35301115*	15
10	-105*	35301105*	15
9	-095*	35301095*	20
8	-085*	35301085*	20
7	-075*	35301075*	25
6	-065*	35301065*	30
5	-055*	35301055*	35
4	-045*	35301045*	40
3	-035*	35301035*	50
2	35301-025*	35301025*	70
CKTS	ENG NO.	MAT'L NO.	Q'TY/TUBE

NEW RELEASED EC NO. KOR2001-0048 DRWN: K.S.KIM (011130) CHK: J.K.OH APPR: C.W.LEE	QUALITY SYMBOLS MAJOR = CRITICAL =	GENERAL TOLERANCES: (UNLESS SPECIFIED)		SCALE NONE	DESIGN UNITS <input checked="" type="checkbox"/> mm <input type="checkbox"/> INCH	THIRD ANGLE PROJECTION	DIMENSIONS: <input type="checkbox"/> mm <input type="checkbox"/> INCH <input checked="" type="checkbox"/> mm ONLY		SHT	REV
		4 PLACES	±0.	±.	DRAWN BY & DATE K.S.KIM (011130)	TITLE: TUBE PACKAGED FOR 5267-NAX SERIES				
DESCRIPTION A	REV	3 PLACES	±0.	±.	CHECKED BY & DATE J.K.OH	MOLEX INCORPORATED KOREA				
		2 PLACES	±0.	±.	APPROVED BY & DATE C.W.LEE					
		1 PLACE	±0.4	±.	CAD FILENAME SD35301A.dgn	MATERIAL NO. SEE TABLE	DRAWING NO. SD-35301-001	SHEET NO. 1 OF 1		SIZE A
		ANGULAR: ± 3 °			THIS DRAWING CONTAINS INFORMATION THAT IS PROPRIETARY TO MOLEX INCORPORATED AND SHOULD NOT BE USED WITHOUT WRITTEN PERMISSION.					
		DRAFT WHERE APPLICABLE MUST REMAIN WITHIN DIMENSIONS								

DWG. NO.

SIMILAR ITEM

PROJECT NO.

B

DO NOT SCALE DRAWING
DIMENSION IN METRIC

8 7 6 5 4 3 2 1

F

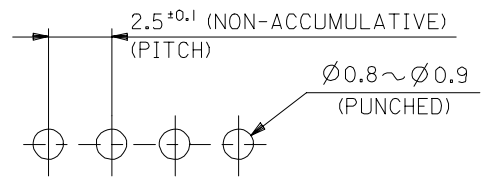
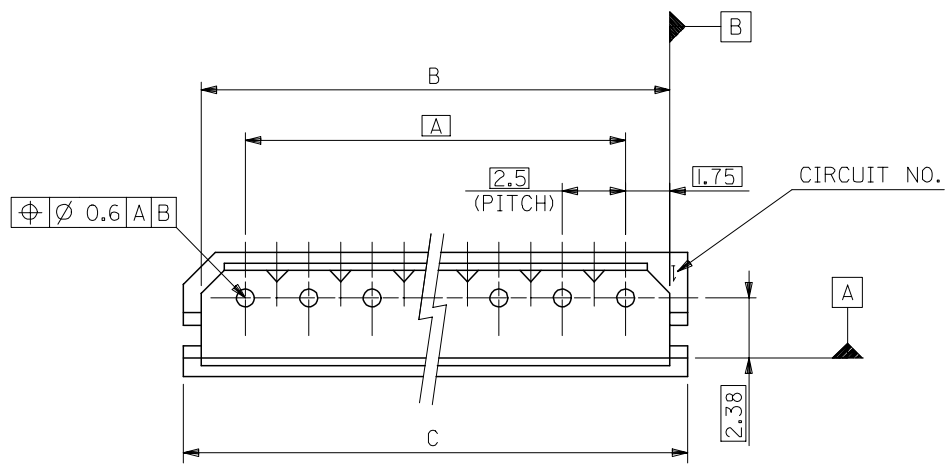
E

D

C

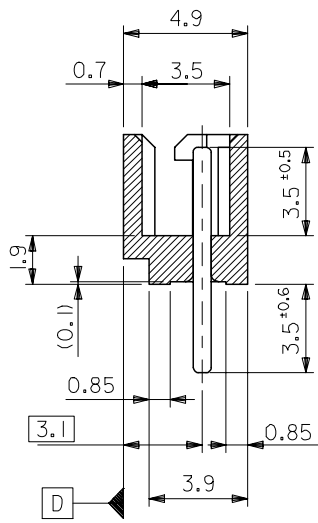
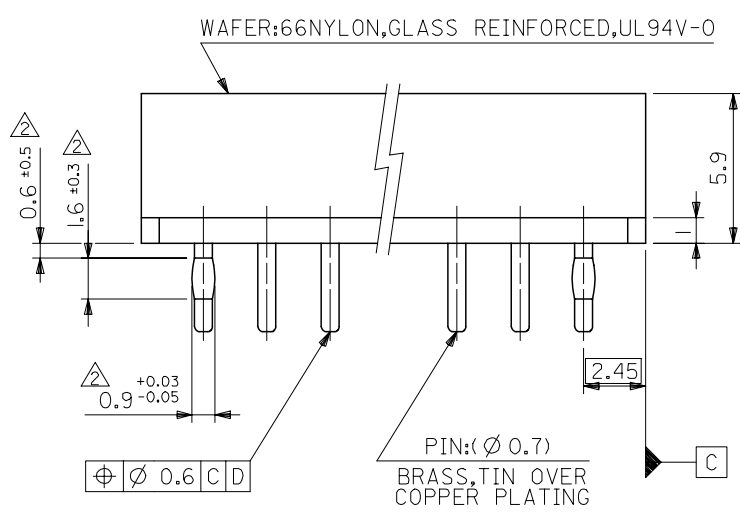
B

A



RECOMMENDED P.C.BOARD HOLE DIM.
(t=1.6)

NOTES:
I. MATES WITH : 5264 SERIES.
△ APPLIES : PIN, BOTH ENDS



39.9	38.5	35	99-99-0999	5267-15A-X	35301-1550	15
37.4	36	32.5	-0998	-14A-X	35301-1450	14
34.9	33.5	30	-0997	-13A-X	35301-1350	13
32.4	31	27.5	-0996	-12A-X	35301-1250	12
29.9	28.5	25	-0995	-11A-X	35301-1150	11
27.4	26	22.5	-0994	-10A-X	35301-1050	10
24.9	23.5	20	-0993	-09A-X	35301-0950	9
22.4	21	17.5	-0992	-08A-X	35301-0850	8
19.9	18.5	15	-0991	-07A-X	35301-0750	7
17.4	16	12.5	-0990	-06A-X	35301-0650	6
14.9	13.5	10	-0989	-05A-X	35301-0550	5
12.4	11	7.5	-0988	-04A-X	35301-0450	4
9.9	8.5	5	-0987	-03A-X	35301-0350	3
7.4	6	2.5	99-99-0986	5267-02A-X	35301-0250	2
C	B	A	EDP NO.	ENG NO.	ENG NO.	NO OF CKT.
				APPLIED CONNECTOR		

ANGLE	±3°
30 OVER	±0.3
10 OVER 30 UNDER	±0.25
10 UNDER	±0.2
GENERAL TOLERANCES	

NEW RELEASED
ECN NO. KOR2008-0082
DRWN: K.S.KIM (060102)
CHK: Y.SooKIM
APPR: SH.CHOI

QUALITY SYMBOLS
MAJOR
CRITICAL

GENERAL TOLERANCES: (UNLESS SPECIFIED)	
4 PLACES	±0. ±-
3 PLACES	±0. ±-
2 PLACES	±0. ±-
1 PLACE	±0. ±-
ANGULAR: ± °	
DRAFT WHERE APPLICABLE MUST REMAIN WITHIN DIMENSIONS	

SCALE 5:1 DESIGN UNITS mm INCH

THIRD ANGLE PROJECTION mm INCH mm ONLY

TITLE: 2.5 LOW PROFILE WAFER ASS'Y WITH COIN

MOLEX INCORPORATED

CAD FILENAME MATERIAL NO. DRAWING NO. SD-35301-012 SHEET NO. 1 OF 1

THIS DRAWING CONTAINS INFORMATION THAT IS PROPRIETARY TO MOLEX INCORPORATED AND SHOULD NOT BE USED WITHOUT WRITTEN PERMISSION.

SIZE B