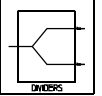


P-153 & P-154 0° POWER DIVIDERS / COMBINERS

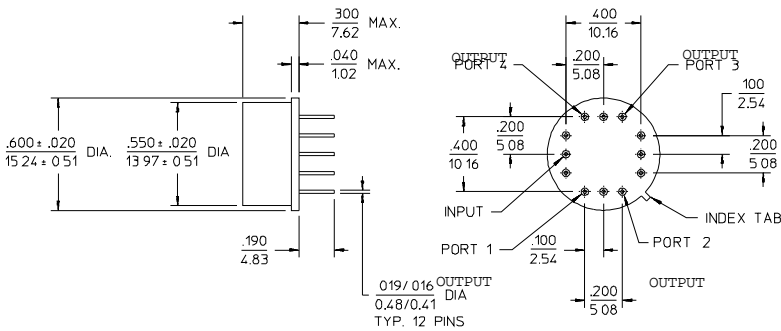
1 to 500 MHz / 4-Way / Uniform Phase & Ampli. Bal. / Low Insertion Loss / Broadband / TO-8, Relay



PRINCIPAL SPECIFICATIONS

Model Number	Freq. Range, MHz	Isolation, dB		Insertion Loss, dB		Phase Balance, °		Amplitude Bal., dB		VSWR (In/Output)		Internal Max. Load Dissipation	Weight Nom. oz. (g)
		Min.	Typ.	Max	Typ.	Max.	Typ.	Max.	Typ.	Max.	Typ.		
P-153	5 - 500	20	25	2.2	1.0	5°	3°	0.5	0.3	1.5:1	1.3:1	50 mW	0.14 (4)
P-154	1 - 200	20	25	1.5	1.0	4°	2°	0.4	0.2	1.5:1	1.3:1	125 mW	0.32 (9)

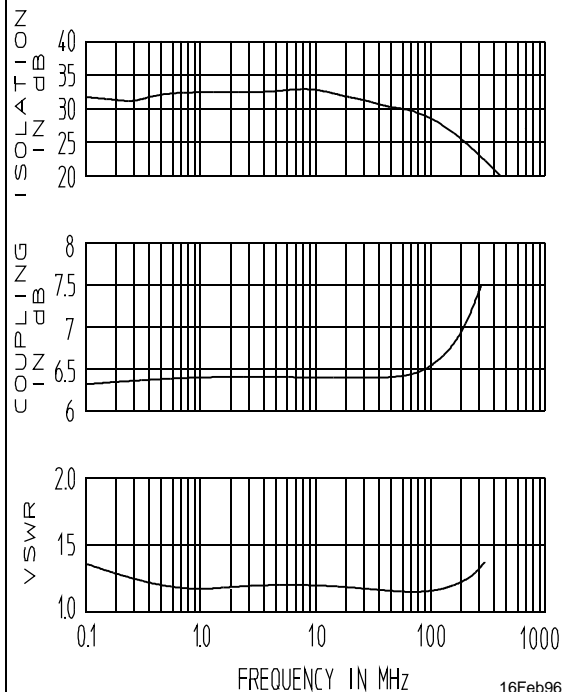
P-153 Outline



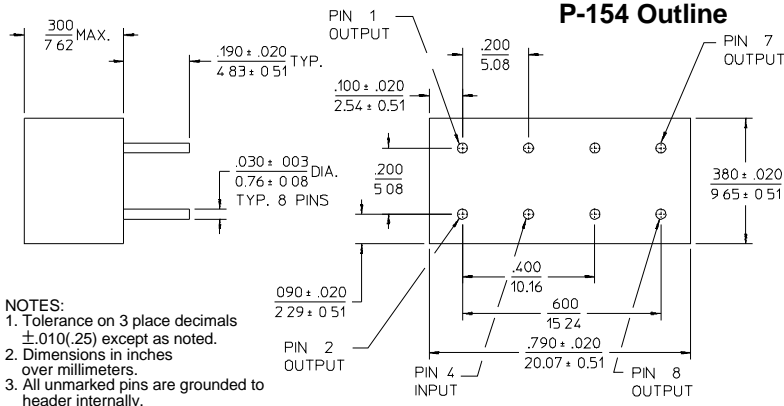
GENERAL SPECIFICATIONS

Coupling: - 6 dB nom.
 Impedance: 50 Ω nom.
 CW Input Power: 1 Watt max.
 (When used as divider with 1.2:1 VSWR_{out})
 Operating Temperature: - 55° to +85°C

P-154 Performance



P-154 Outline



- NOTES:
 1. Tolerance on 3 place decimals ±.010(.25) except as noted.
 2. Dimensions in inches over millimeters.
 3. All unmarked pins are grounded to header internally.