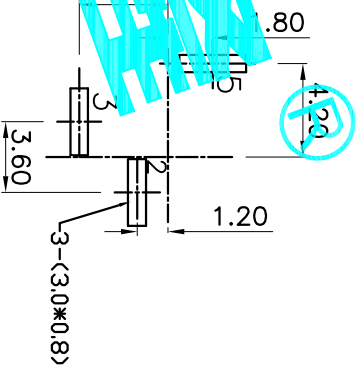
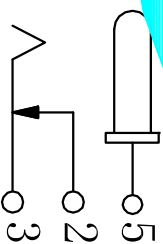


P.C.B LAYOUT  
TOP VIEW



Rating: 0.25A 30V (DC)  
 Contact Resistance: 100 mΩ Max.  
 Operating Temperature: -20℃~70℃  
 Operating for 100,000cycles



SCHEMATIC

|       |      |      |
|-------|------|------|
| PIN   | φ200 | φ250 |
| APPD. |      |      |

| ITEM | PART NAME    | QTY. | MATERIAL | FINISHING  |
|------|--------------|------|----------|------------|
| ⑥    | COVER        | 1    | PBT      |            |
| ⑤    | CONTACT FOOT | 1    | BRASS    | Sn-Plating |
| ④    | PIN          | 1    | BRASS    | Ni-Plating |
| ③    | SPRING       | 1    | SUS301   | Sn-Plating |
| ②    | FLAT PIECE   | 1    | BRASS    | Sn-Plating |
| ①    | HOUSING      | 1    | PBT      |            |

| APPROVALS | DATE               |
|-----------|--------------------|
| DRAWN     | G.M.Chen 2018/3/15 |
| CHECKED   |                    |
| APPROVALS |                    |

PART NO. DC-DD22-XXX  
 TITLE: DC JACK  
 DRAWING NO.

| ECN NO. | REV. | DATE | DESCRIPTION | CHANGE | CHECK | APPRO. | TOLERANCES ARE             | ANGLE | SCALE | SHEET  |
|---------|------|------|-------------|--------|-------|--------|----------------------------|-------|-------|--------|
|         | A    |      | NEW         |        |       |        | 30±0.1<br>10±0.05<br>5±0.1 | ±2°   | 1:1   | 1 OF 1 |
|         |      |      |             |        |       |        |                            |       |       | PROJ.  |

DEALON 德隆  
 ELECTRONICS CO.,LTD