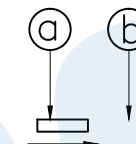
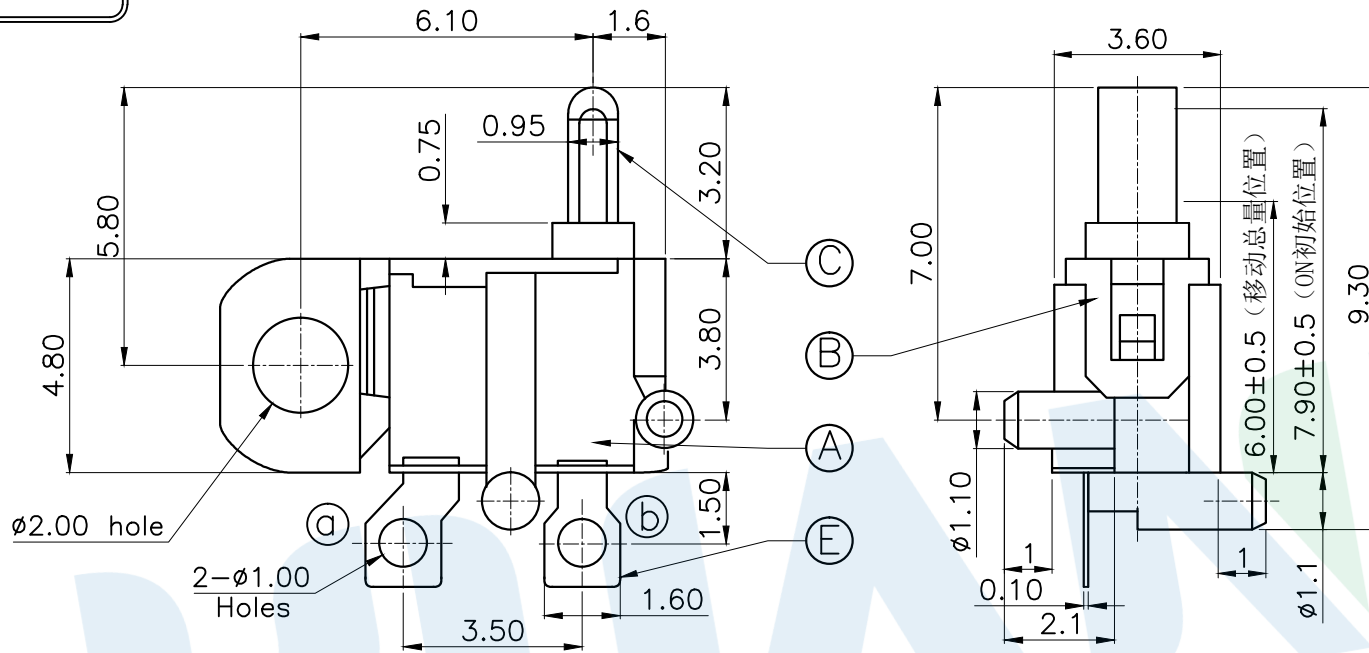
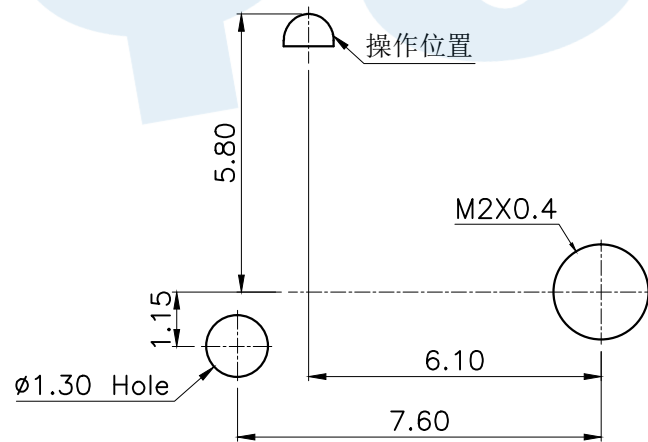


RoHS



Circuit Diagram



PCB Layout (Pattern side)

Technical Parameters

- 1. Rated current: DC 30V 0.1A
- 2. Operating force: 50±10gf
- 3. Mechanical life: 100,000 times

NO.	Name	Number	Qty	Materil	Remarks
E	Terminal		2	Phosphor bronze	Silvering
D	Contact Spring		1	Phosphor bronze	Silvering
C	Button		1	POM	Black
B	Cover		1	POM	Black
A	Base		1	PA66	Black

YUANDI® Yuandi Electronics Co, Ltd

design	date	name	DETECTION SWITCH
Review	date	model	TQ-2526
Approved	date		

Drawing number: Proportion 1:1 unit mm gage number A4

modify Review Approved Tolerance not specified