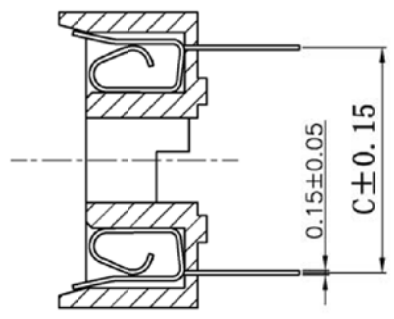
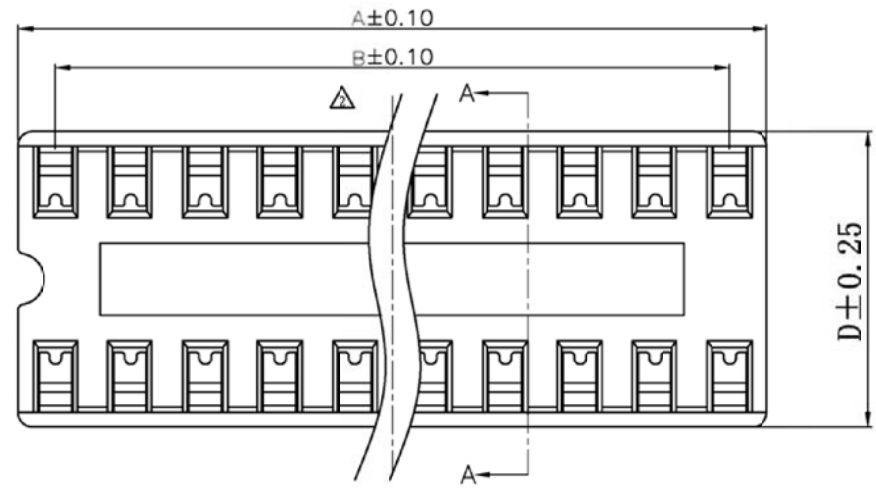
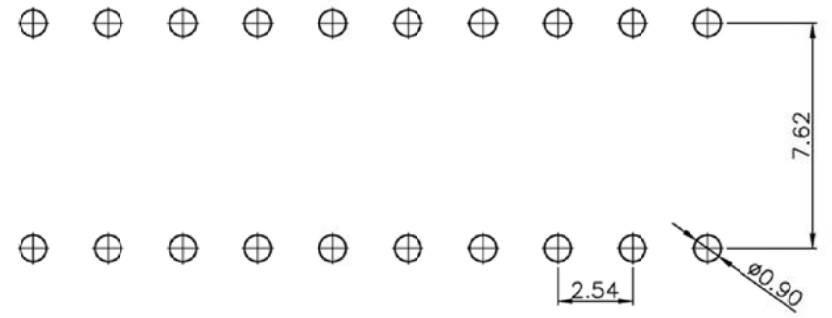
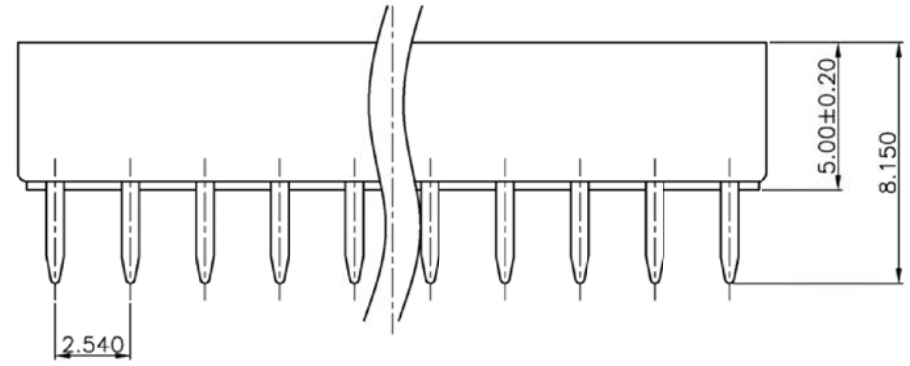


REV	ECN.NO:	B Y	DATE
A1	△EG-H31002	SYSTEM	08/04/23
A2	△EG-H31003	SYSTEM	08/08/06



SECTION: A-A

NOTES:
MATERIAL:
CONTACTS:PHOSPHOR BRONZE
INSULATOR:PBT+30% GLASS UL 94V-0
ELECTRICAL:
CONTACT CURRENT PATING:1A
DIELECTRIC WITHSTANDING VOLTAGE: 1000V AC
CONTACT RESISTANCE: 20milliohms max
INSULATION RESISTANCE: 1000 MEGOHMS
CAPACITANCE:0.5PICO-FARAD MAXIMUM
TEMPERATURE RANGE:-40°C+105°C
MECHANICAL:
ENGAGING FORCE:340g/A CONTACT MAX.
SEPARATING FORCE:20g/A CONTACT MIN.
DURABILITY:50 CYCLES
NO.OF CONTACT:6-48
FINISH:
CONTACT PLATING:TIN PLATED 60.03U"-88.35U"



PCB LAYOUT

PIN NO.	DIM A	DIM B	DIM C	DIM D
6	7.62	5.08	7.62	10.16
8	10.16	7.62	7.62	10.16
14	17.78	15.24	7.62	10.16
16	20.32	17.76	7.62	10.16
18	22.86	20.32	7.62	10.16
20	25.4	22.86	7.62	10.16
22	27.95	25.4	7.62	10.16

-TOLERANCES- UNLESS OTHERWISE SPECIFIED		CnC Tech, LCC Industrial Cable and Connector Technology					
X.X ±0.30	X.X* ±3°		TITLE: IC SOCKET PH:2.54				
X.XX ±0.20	X.XX* ±1°		APPD:	PRODUCT NO: 243-XX-1-03			
X.XXX ±0.10	X.XXX* ±0.5°	CHECK:	DATE	SCALE	UNIT	TYPE	PAGE
		DRAW:	08.08.06	FREE	MM	Z	1