



TAPSF-M

10 /1 Gigabit (MM) Fiber TAP Stand Alone Unit

Product Description

The Silicom TAPSF is external passive TAP for 10 /1 fiber Gigabit Ethernet networks.

The Silicom TAPSF captures both sides of the Network links and transmits a copy on to the monitor port, this feature enables full duplex monitoring of all packets transmitted between the Network ports.

The Silicom TAPSF does not require power; The Silicom TAPSF can be optionally installed in a rack mount frame.



Key Features

- Supports Fiber Gigabit Ethernet (1000Base-SX)
- Supports Short Range Fiber 10 Gigabit Ethernet (10GBase-SR)
- Passive TAP enables full duplex monitoring for 10 /1 fiber Gigabit Ethernet networks
- Transparent to the network
- Does not require power
- No IP address is needed
- Optional 19-inch rack frame holds up to 3 taps

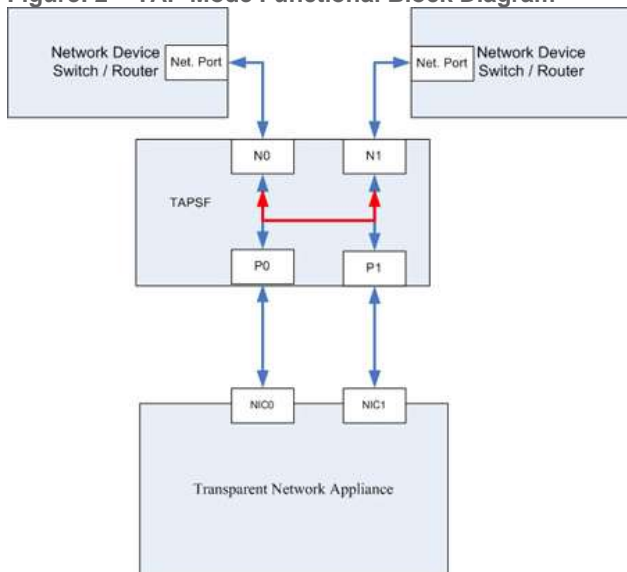
Technical Specifications

Fiber Ethernet General Technical Specifications:


IEEE Standard / Network topology:	Fiber 10Gigabit Ethernet, 10Base-SR (850nM) Fiber Gigabit Ethernet, 1000Base-SX (850nM)
Fiber core:	Multimode fiber: 50uM
Insertion loss ratio:	-70/30: 70% – Network ports to Monitor port

	30% – Network port to network port
Insertion loss: (Typical)	Network Port: 2.5 dB Monitor Port: 5.5dB
Insertion loss: (Measure)	Network Port: 3.25 dB Monitor Port: 5.0 dB
General Technical Specifications	
Size:	x 120.5mm (wide) x 148mm (depth) x 27.7mm (height) (4.744" x 5.827" x 1.07")
Weight	610 gram (21.52 oz)
Operating Humidity:	0%–90%, non-condensing
Operating Temperature:	0°C – 50°C (32°F – 122°F)
Storage Temperature:	-20°C–65°C (-4°F–149°F)
EMC Certifications:	Class B
MTBF*:	> 50 years

Figure: 2 – TAP Mode Functional Block Diagram



Order Information

P/N	Description	Notes
TAPSF-M-R	10 /1 Gigabit (MM) Fiber TAP Stand Alone Unit	50uM, Fiber core, splitter ratio 70/30
TAPSF-M-64-R	10 /1 Gigabit (MM) Fiber TAP Stand Alone Unit	50uM, Fiber core, splitter ratio 60/40
TAPSF-M-55	10 /1 Gigabit (MM) Fiber TAP Stand Alone Unit	50uM, Fiber core, splitter ratio 50/50
RK-1U-3-PBSS	Rack mount frame for Silicom stand alone units	Optional for 19" / 1U frame mount
		

Note: Model P/N /-RoHS

-RoHS: RoHS Compliant / Lead free adapter.

1V2