

BBS-3001-Q

Heat Pipe, Fanless PC with Core™ Duo, 4 COM, 6 USB, 12V DC Adapter



Features

- » Heat pipe, fanless PC design
- » Supports Intel® Core™ Duo processor TDP ≤ 34W
- » VGA, DVI, dual Gigabit Ethernet, Audio port
- » 1 x 2.5" SATA HDD space, 1 x slim CD-ROM space
- » 1 x CF socket
- » 4 x COM port, 6 x USB2.0 port
- » 12V DC Adapter

System

SBC

HS-1750

CPU

Intel® Core™ Duo processor T2050 1.6GHz (option)

System Chipset

Intel® 945GME/ICH7-M

System Memory

2 x 200-pin SO-DIMM, DDR2 667/533MHz, Max. 4GB

Display Interface:

1 x D-SUB 15-pin

1 x DVI

Audio Interface

Audio jack for MIC In, Line Out, Line In

Ethernet Interface

2 x RJ-45 for Gigabit Ethernet

Storage

1 x 2.5" SATA HDD space

1 x slim CD-ROM space

1 x Type II CF socket

Watchdog Timer

Software programmable time-out intervals from 1~255 sec. or 1~255 min.

H/W Status Monitor

Monitoring temperatures, voltages status

Thermal System

Heat pipe

Power

12V 84W DC adapter

+10~30V DC IN (option)

Operating/Storage Temperature

0~45°C/-20~+70°C

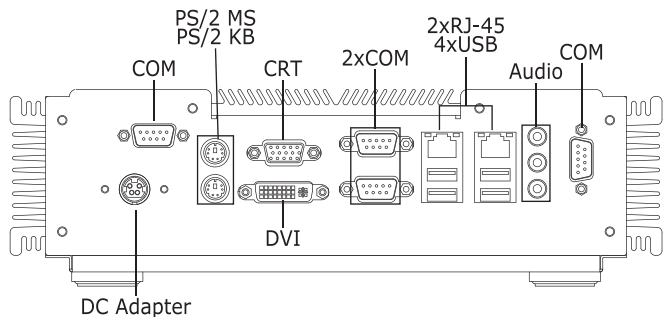
Certification

FCC/CE Class A compliance

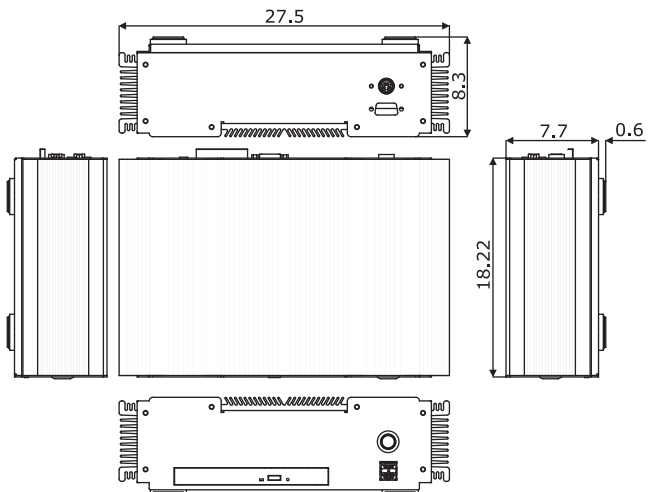
Dimensions

27.5(L) x 8.3(H) x 18.22(W) cm

I/O Interface



Dimensions (unit:cm)



Ordering Information

BBS-3001-Q

Heat Pipe, Fanless PC w/4 COM, 6 USB, 12V DC Adapter

Accessory Options

CPU, Memory Module, CF Module, 2.5" SATA HDD, Slim CD-ROM