

PLEASE CHECK WWW.MOLEX.COM FOR LATEST PART INFORMATION

Part Number: [0877596526](#)
Status: **Active**
Overview: milligrid
Description: 2.00mm (.079") Pitch Milli-Grid™ Header, Surface Mount, Vertical, 8 Circuits, 0.76µm (30µ") Gold (Au) Selective Plating, with Press-fit Plastic Pegs, Pick-and-Place Cap, Tape on Reel Packaging, Lead-free

Documents:

[3D Model](#) [Product Specification PS-87761-100 \(PDF\)](#)
[Drawing \(PDF\)](#) [RoHS Certificate of Compliance \(PDF\)](#)

Agency Certification

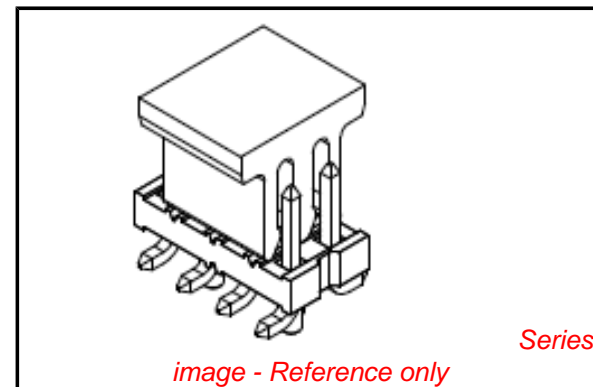
UL E29179

General

Product Family PCB Headers
 Series [87759](#)
 Application Board-to-Board
 Overview [milligrid](#)
 Product Name Milli-Grid™

Physical

Breakaway Yes
 Circuits (Loaded) 8
 Circuits (maximum) 8
 Color - Resin Black
 Durability (mating cycles max) 100
 First Mate / Last Break No
 Flammability 94V-0
 Glow-Wire Compliant No
 Guide to Mating Part No
 Keying to Mating Part None
 Lock to Mating Part None
 Mated Height (in) 0.150 In
 Mated Height (mm) 3.80 mm
 Material - Metal Phosphor Bronze
 Material - Plating Mating Gold
 Material - Plating Termination Tin
 Material - Resin High Temperature Thermoplastic
 Number of Rows 2
 Orientation Vertical
 PCB Locator Yes
 PCB Retention None
 Packaging Type Embossed Tape on Reel
 Pitch - Mating Interface (in) 0.079 In
 Pitch - Mating Interface (mm) 2.00 mm
 Pitch - Term. Interface (in) 0.079 In
 Pitch - Term. Interface (mm) 2.00 mm
 Plating min: Mating (µin) 30
 Plating min: Mating (µm) 0.76
 Polarized to Mating Part No
 Polarized to PCB No
 Robotic Placement Pick and Place Cap
 Shrouded No
 Stackable Yes
 Temperature Range - Operating -55°C to +105°C



EU RoHS

ELV and RoHS Compliant
REACH SVHC Contains SVHC: No
Halogen-Free Status
Not Reviewed

China RoHS



Need more information on product environmental compliance?

Email productcompliance@molex.com
 For a multiple part number RoHS Certificate of Compliance, [click here](#)

Please visit the [Contact Us](#) section for any non-product compliance questions.

Search Parts in this Series

[87759Series](#)

Mates With

[79107](#) Milli-Grid™ Receptacle, Vertical, Through Hole. [79108](#) Milli-Grid™ Flex-to-Board, Vertical Receptacle. Milli-Grid™ Receptacle, Surface Mount. [79109](#). [87381](#)

Termination Interface: Style Surface Mount

Electrical

Current - Maximum per Contact 2A
Voltage - Maximum 125V

Material Info

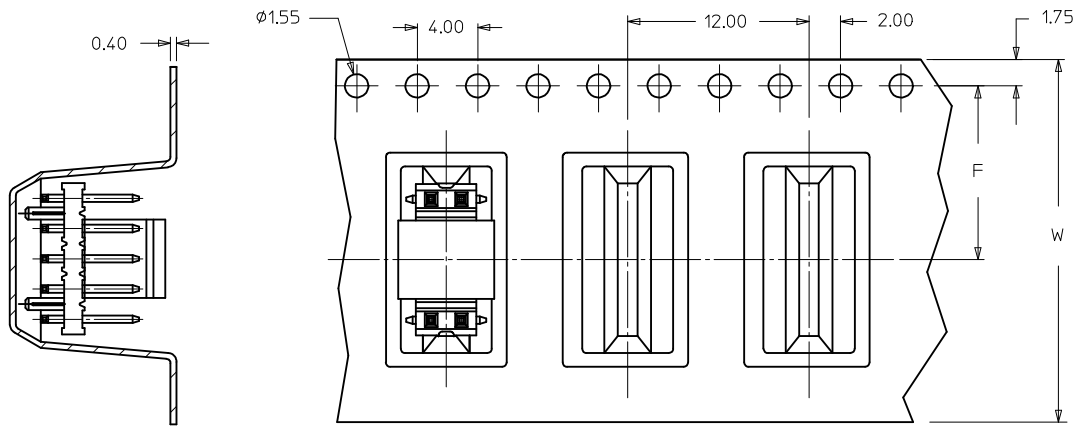
Reference - Drawing Numbers

Packaging Specification PK-89990-484
Product Specification PS-87761-100
Sales Drawing SD-87759-207

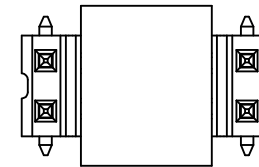
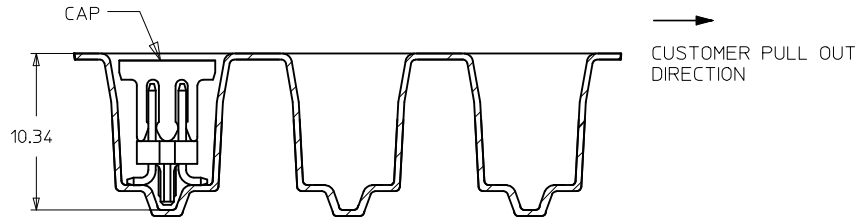
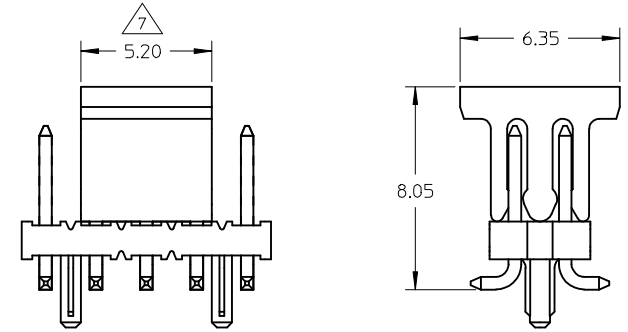
This document was generated on 05/25/2010

PLEASE CHECK WWW.MOLEX.COM FOR LATEST PART INFORMATION

PART IN TAPE AND REEL ORIENTATION

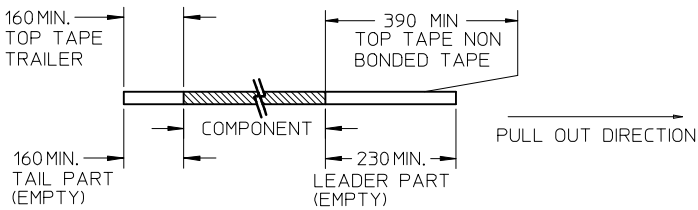


PART WITH CAP

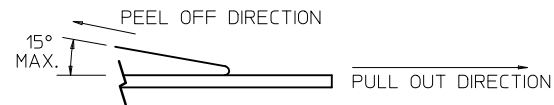


NOTES:

1. LEADER AND TRAILER TAPE



2. PEELING OFF FORCE OF THE TOP TAPE: 20 - 80gf. (PEELING DIRECTION AS SHOWN IN FOLLOWING FIGURE)

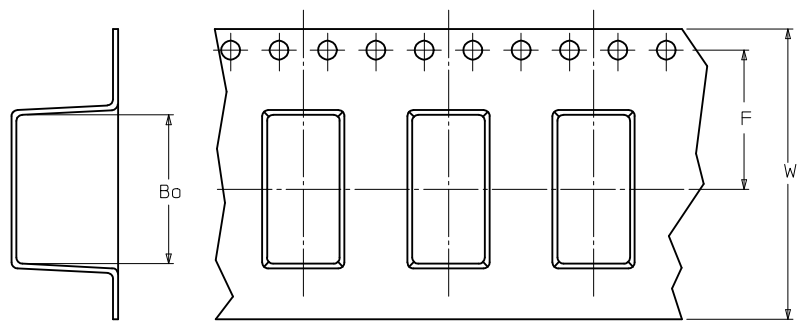


- 3. TAPE AND REEL SPECIFICATION IS AS PER EIA-481.
- 4. TAPE AND REEL QUANTITY : 500 PCS/ REEL.
- 5. THE TAPE IS TREATED FOR ANTI-STATIC.

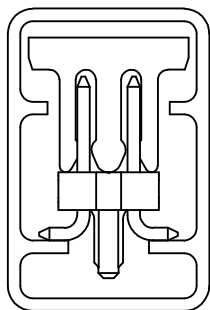
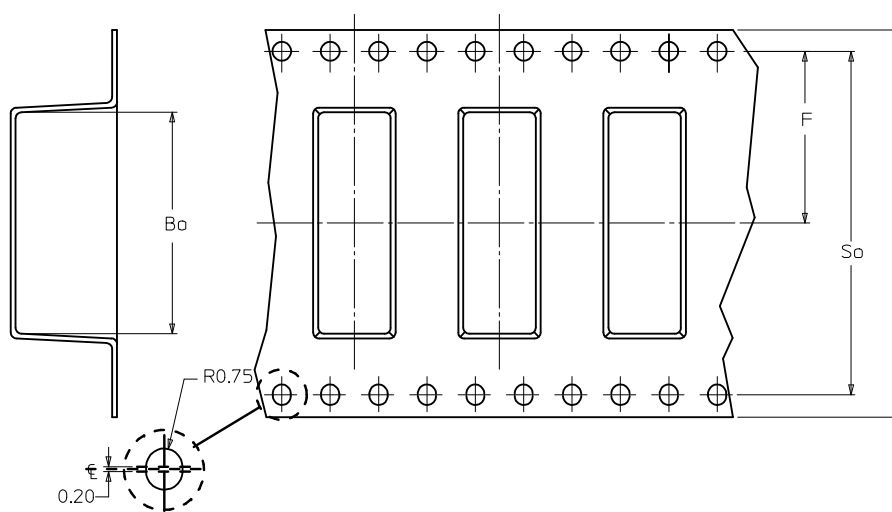
CORRECT P/NS' TYPO ERROR EC NO: S2009-0867 DR:WATSEE 2009/05/28 CHKD:SKANG 2009/05/29 APPR:MLONG 2009/06/01	REV B1	DESCRIPTION	QUALITY SYMBOLS	$\blacktriangledown = 0$ $\triangleleft = 0$	GENERAL TOLERANCES (UNLESS SPECIFIED)	DIMENSION STYLE	SCALE	DESIGN UNITS	THIRD ANGLE PROJECTION			
					mm	INCH	MM ONLY	NTS	METRIC			
					4 PLACES	± ---	± ---	DRAWN BY	DATE	TITLE		
					3 PLACES	± ---	± ---	KSEE	2003/12/19	SALES DRAWING		
		2 PLACES	± 0.2	± ---	CHECKED BY	DATE	MGRID 2MM DUAL ROW SMT					
		1 PLACE	± ---	± ---	KCL ING	2004/01/12	HDR WITH PEG					
			ANGULAR ± 3 °		APPROVED BY	DATE	MOLEX INCORPORATED					
			DRAFT WHERE APPLICABLE MUST REMAIN WITHIN DIMENSIONS		SKTOH	2004/01/12	DOCUMENT NO. SD-87759-207					
					MATERIAL NO.		SHEET NO. 2 OF 4					
					SIZE	A3	THIS DRAWING CONTAINS INFORMATION THAT IS PROPRIETARY TO MOLEX INCORPORATED AND SHOULD NOT BE USED WITHOUT WRITTEN PERMISSION					

10 9 8 7 6 5 4 3 2 1

EMBOSSED CARRIER TAPE TYPE "A"



EMBOSSED CARRIER TAPE TYPE "B"



PART WITH CAP IN
TUBE ORIENTATION

CORRECT P/NS' TYPO ERROR EC NO: S2009-0867 DRW:WATSEE CHKD:SKANG APPR:MLONG	REV B1	DESCRIPTION	QUALITY SYMBOLS	GENERAL TOLERANCES (UNLESS SPECIFIED)	DIMENSION STYLE	SCALE	DESIGN UNITS	THIRD ANGLE PROJECTION
			$\nabla=0$ $\square=0$	mm INCH	MM ONLY	NTS	METRIC	
				4 PLACES \pm --- \pm ---	DRAWN BY DATE			TITLE
				3 PLACES \pm --- \pm ---	KSEE 2003/12/19			SALES DRAWING
	2 PLACES ± 0.2 \pm ---	CHECKED BY DATE			MGRID 2MM DUAL ROW SMT			
	1 PLACE \pm --- \pm ---	KCL ING 2004/01/12			HDR WITH PEG			
	ANGULAR $\pm 3^\circ$	APPROVED BY DATE			MOLEX INCORPORATED			
		SKTOH 2004/01/12			DOCUMENT NO.	SHEET NO.		
		MATERIAL NO.			SD-87759-207	3 OF 4		
		DRAFT WHERE APPLICABLE MUST REMAIN WITHIN DIMENSIONS			SEE TABLE			
					THIS DRAWING CONTAINS INFORMATION THAT IS PROPRIETARY TO MOLEX INCORPORATED AND SHOULD NOT BE USED WITHOUT WRITTEN PERMISSION			

9 8 7 6 5 4 3 2 1

	10	9	8	7	6	5	4	3	2	1	
F	PART NUMBER WITH CAP IN TUBE	PART NUMBER WITH CAP IN TAPE AND REEL.	CKT SIZE	A	B	C	Bo	F	So	W	EMBOSSSED TYPE
	87759-0866	87759-6526	08	7.90	6.00	4.00	8.50	11.50	-	24.00	A
	87759-1066	87759-6527	10	9.90	8.00	6.00	10.50	11.50	-	24.00	A
	87759-1266	87759-6528	12	11.90	10.00	8.00	12.50	11.50	-	24.00	A
	87759-1466	87759-6529	14	13.90	12.00	10.00	14.50	11.50	-	24.00	A
	87759-1666	87759-6530	16	15.90	14.00	12.00	16.50	14.20	28.40	32.00	B
	87759-1866	87759-6531	18	17.90	16.00	14.00	18.50	14.20	28.40	32.00	B
E	87759-2066	87759-6532	20	19.90	18.00	16.00	20.50	20.20	40.40	44.00	B
	87759-2266	87759-6533	22	21.90	20.00	18.00	22.50	20.20	40.40	44.00	B
	87759-2466	87759-6534	24	23.90	22.00	20.00	24.50	20.20	40.40	44.00	B
	87759-2666	87759-6535	26	25.90	24.00	22.00	26.50	20.20	40.40	44.00	B
	87759-2866	87759-6536	28	27.90	26.00	24.00	28.50	20.20	40.40	44.00	B
D	87759-3066	87759-6537	30	29.90	28.00	26.00	30.50	20.20	40.40	44.00	B
	87759-3266	87759-6538	32	31.90	30.00	28.00	32.50	26.20	52.40	56.00	B
	87759-3466	87759-6539	34	33.90	32.00	30.00	34.50	26.20	52.40	56.00	B
	87759-3666	87759-6540	36	35.90	34.00	32.00	36.50	26.20	52.40	56.00	B
	87759-3866	87759-6541	38	37.90	36.00	34.00	38.50	26.20	52.40	56.00	B
	87759-4066	87759-6542	40	39.90	38.00	36.00	40.50	26.20	52.40	56.00	B
C	87759-4266	87759-6543	42	41.90	40.00	38.00	42.50	26.20	52.40	56.00	B
	87759-4466	87759-6544	44	43.90	42.00	40.00	44.50	26.20	52.40	56.00	B
	87759-4666	87759-6545	46	45.90	44.00	42.00	50.50	34.20	68.40	72.00	B
	87759-4866	87759-6546	48	47.90	46.00	44.00	50.50	34.20	68.40	72.00	B
	87759-5066	87759-6547	50	49.90	48.00	46.00	50.50	34.20	68.40	72.00	B

B

CORRECT P/NS/ TYPO ERROR EC NO: S2009-0867 DRWN:ATSEE 2009/05/28 CHKD:SKANG 2009/05/29 APPR:MLONG 2009/06/01	REV DESCRIPTION B1	QUALITY SYMBOLS ▽=0 ◻=0	GENERAL TOLERANCES (UNLESS SPECIFIED) <table border="1"> <tr> <th></th> <th>mm</th> <th>INCH</th> </tr> <tr> <td>4 PLACES</td> <td>± ---</td> <td>± ---</td> </tr> <tr> <td>3 PLACES</td> <td>± ---</td> <td>± ---</td> </tr> <tr> <td>2 PLACES</td> <td>± 0.2</td> <td>± ---</td> </tr> <tr> <td>1 PLACE</td> <td>± ---</td> <td>± ---</td> </tr> </table>		mm	INCH	4 PLACES	± ---	± ---	3 PLACES	± ---	± ---	2 PLACES	± 0.2	± ---	1 PLACE	± ---	± ---	DIMENSION STYLE MM ONLY	SCALE NTS	DESIGN UNITS METRIC	THIRD ANGLE PROJECTION 	DRAWN BY: KSEE DATE: 2003/12/19 CHECKED BY: KCLING DATE: 2004/01/12 APPROVED BY: SKTOH DATE: 2004/01/12	TITLE SALES DRAWING MGRID 2MM DUAL ROW SMT HDR WITH PEG
			mm	INCH																				
		4 PLACES	± ---	± ---																				
		3 PLACES	± ---	± ---																				
2 PLACES	± 0.2	± ---																						
1 PLACE	± ---	± ---																						
DRAFT WHERE APPLICABLE MUST REMAIN WITHIN DIMENSIONS		MATERIAL NO. SEE TABLE	DOCUMENT NO. SD-87759-207	SHEET NO. 4 OF 4																				
		SIZE A3	THIS DRAWING CONTAINS INFORMATION THAT IS PROPRIETARY TO MOLEX INCORPORATED AND SHOULD NOT BE USED WITHOUT WRITTEN PERMISSION																					