

PLEASE CHECK WWW.MOLEX.COM FOR LATEST PART INFORMATION

Part Number: [0190710188](#)
Status: **Active**
Description: InsulKrimp™ Ring Tongue Terminal for 6 AWG Wire

Documents:

[Drawing \(PDF\)](#) [RoHS Certificate of Compliance \(PDF\)](#)
[Product Specification PS-19902-009 \(PDF\)](#)

General

Product Family	Ring and Spade Terminals
Series	19071
Crimp Quality Equipment	Yes
Mil-Spec	N/A
Product Name	InsulKrimp™
Type	Ring

Physical

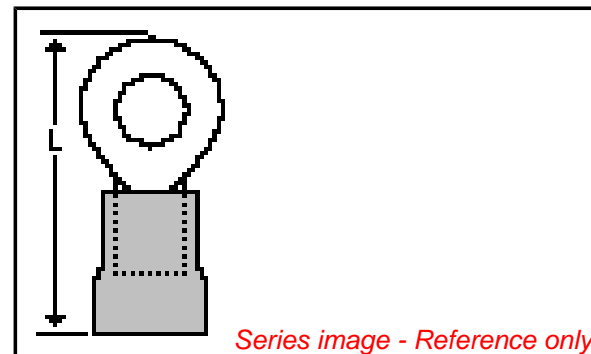
Barrel Type	Closed
Color - Resin	Natural
Insulation	PVC
Material - Plating Mating	Tin
Packaging Type	Bag
Plating min: Mating (µin)	100
Plating min: Mating (µm)	2.5
Plating min: Termination (µin)	100
Plating min: Termination (µm)	2.5
Stud Size	10 (M5)
Termination Interface: Style	Crimp or Compression
Wire Insulation Diameter	11.20mm (.440") max.
Wire Size AWG	6

Material Info

Old Part Number	E-657-10X
-----------------	-----------

Reference - Drawing Numbers

Product Specification	PS-19902-009
Sales Drawing	SD-19071-013



EU RoHS

ELV and RoHS Compliant
REACH SVHC
 Not Reviewed
Halogen-Free Status
 Not Reviewed

China RoHS



Need more information on product environmental compliance?

Email productcompliance@molex.com
 For a multiple part number RoHS Certificate of Compliance, [click here](#)

Please visit the [Contact Us](#) section for any non-product compliance questions.

Search Parts in this Series

[19071Series](#)

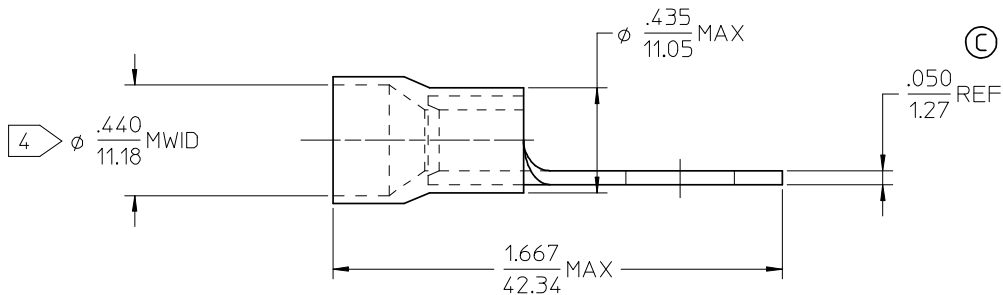
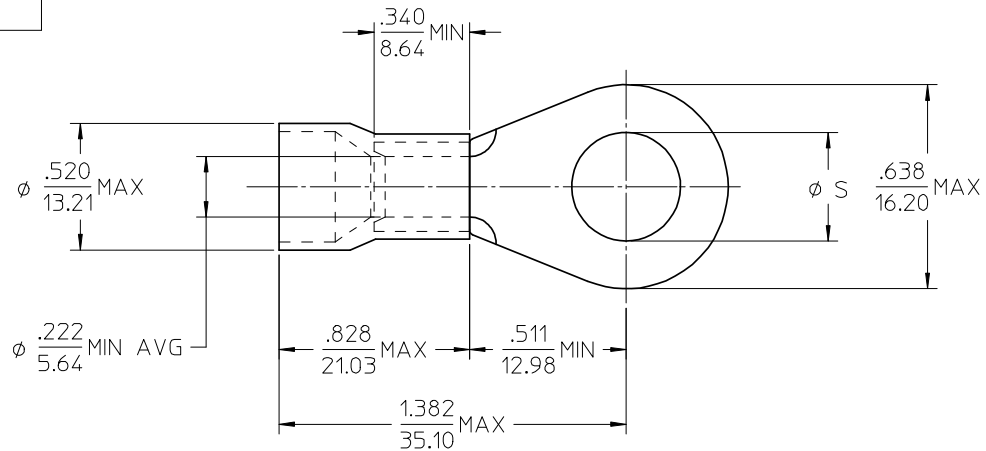
Application Tooling | [FAQ](#)

Tooling specifications and manuals are found by selecting the products below. Crimp Height Specifications are then contained in the Application Tooling Specification document.

Global

Description	Product #
Manual Putt Pump Hydraulic System, Die set required	0192860117
Die Set (large) for the HHLS Hydraulic Crimper	0192890004
Hand Crimp Tool	0640013900
Putt Pump Dieless Head System	0192860065

10	9	8	7	6	5	4	3	2	1
MATERIAL NO.	ENG. NO.	STUD SIZE	$\phi S \pm .005$						
190710185	E-657-08X	8	.173						
190710188	E-657-10X	10	.198						
190710190	E-657-14X	1/4	.256						
190710193	E-657-38X	3/8	.390						
190710196	E-657-56X	5/16	.328						



NOTE(S):

1. TERMINAL MATERIAL: COPPER ALLOY.
2. TERMINAL FINISH: ELECTRO TIN PLATE.
3. INSULATION MATERIAL: PVC, COLOR CODED BLUE.
4. MWID = MAXIMUM WIRE INSULATION DIAMETER.
5. ALL COMPONENTS ARE ROHS COMPLIANT.

REDWN & RDC MATL THKNS EC NO: ETC2007-0158 DRW: EHILE CHKD: JMACNEIL APPR: JMACNEIL	2006/10/20 2006/10/20 2006/10/20	DESCRIPTION REV	QUALITY SYMBOLS	GENERAL TOLERANCES (UNLESS SPECIFIED)	DIMENSION STYLE	SCALE	DESIGN UNITS	THIRD ANGLE PROJECTION
			$\nabla=0$	mm INCH	IN/MM	4:1	INCH	
			$\nabla E=0$	4 PLACES ± --- ± ---	DRAWN BY DATE			
				3 PLACES ± --- ± ---	EHILE 2006/10/10			
	2 PLACES ± --- ± ---	CHECKED BY DATE						
	1 PLACE ± --- ± ---	JMACNEIL 2006/10/10						
	ANGULAR ± --- °	APPROVED BY DATE						
		JMACNEIL 2006/10/10						
		MATERIAL NO.						
		SEE CHART						
		SIZE B						
		DRAFT WHERE APPLICABLE MUST REMAIN WITHIN DIMENSIONS		THIS DRAWING CONTAINS INFORMATION THAT IS PROPRIETARY TO MOLEX INCORPORATED AND SHOULD NOT BE USED WITHOUT WRITTEN PERMISSION				

RING TONGUE TERMINAL
INSULKRIMP,
657 SERIES 6 AWG

MOLEX INCORPORATED

DOCUMENT NO.
SD-19071-013

SHEET NO.
1 OF 1