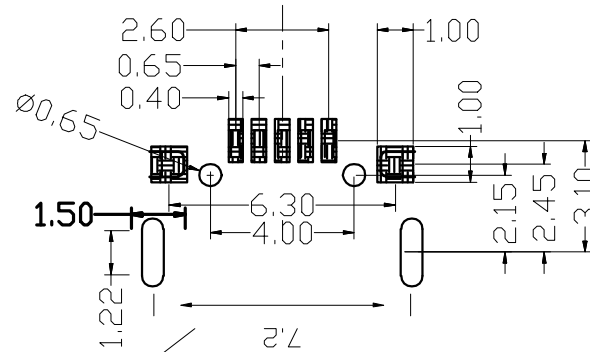
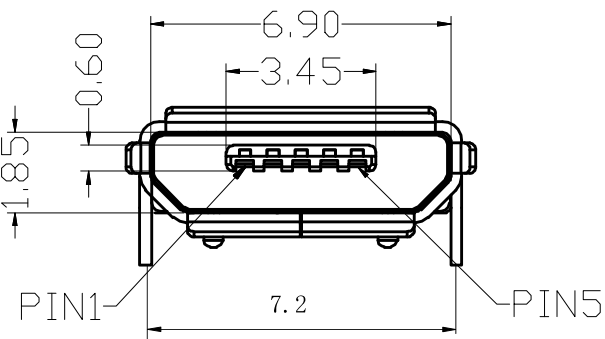
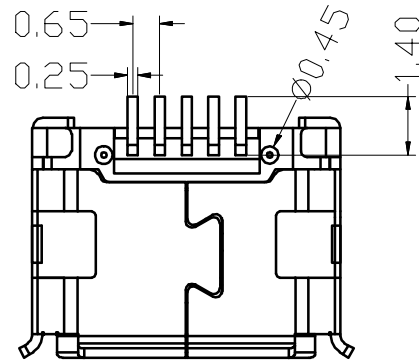
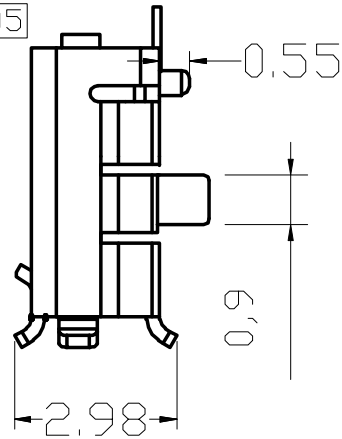
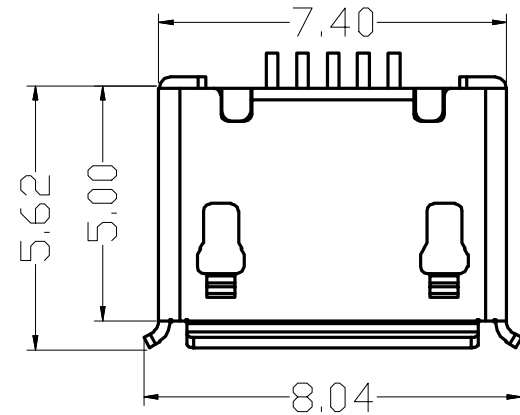
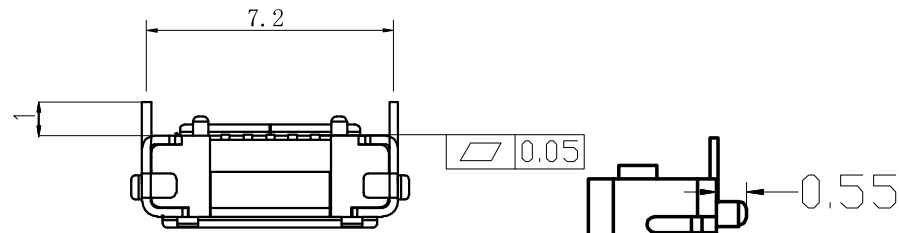




REV.	ECN NO OR DESCRIPTION	REVISED	DATE



PCB EDGE

RECOMMENDED PCB LAYOUT
TOLERANCE: ±0.05

NOTES:

- MATERIAL:
 - HOUSING: THERMOPLASTIC FLAMMABILITY RATING UL94-0
 - CONTACT: COPPERY ALLOY T=0.15MM
 - SHELL: COPPERY ALLOY T=0.25MM
- FINISH:
 - CONTACT:
 - 3U" MIN, PLATED ON CONTACT AREA
 - G/F PLATING ON SOLDER TAIL AREA
 - 50~80U" NICKEL UNDERPLATING OVERALL
 - SHELL:
 - 80~120U" MATTER TIN PLAINING ALL
 - 50~80U" NICKEL UNDERPLATING OVERALL
- SPECIFICATION:
 - CURRENT RATING: 0.5A(2.3.4CONTACT)/1.8A (1.5CONTACT) MAX.
 - VOLTAGE: 30 VAC
 - TEMPERATURE RANGE: -30°C~85°C
 - CONTACT RESISTANCE: 30 MILLIONHM MAX.
 - DIELECTRIC WITHSTANDING VOLTAGE: 250VAC R.M.S
 - INSULATION RESISTNACE: 100 MEGOHMS MIN

UNLESS OTHERWISE SPECIFIED TOLERANCES



东莞市汉博电子科技有限公司
DONGGUAN HANBO TECHNOLOGY CO., LTD

DECIMALS:	ANGLES:
X : ±0.35	X : ±2°
X.X : ±0.25	X.X : ±1°
X.XX : ±0.15	

TITLE	MICRO USB 5PIN TYPE DIP		
DWN	xiong	PART NO.	MC-607-AJT
CHKD	lee	SCALE: 1:1	UNIT: mm
APVD	wang	SIZE: A4	SHEET: 10F 1
			REV: A4

CUSTOMER COPY