

**ebm-papst St. Georgen GmbH & Co. KG**

Hermann-Papst-Str. 1
 D-78112 St. Georgen
 Phone +49 (0) 7724 81-0
 Fax +49 (0) 7724 81-1309
 info2@de.ebmpapst.com
 www.ebmpapst.com

Nominal data

| Type | 4184 NX | |
|--------------------------|-------------------|------------|
| Nominal voltage | VDC | 24 |
| Nominal voltage range | VDC | 12 .. 31,5 |
| Speed (rpm) | min ⁻¹ | 3200 |
| Power consumption | W | 4.9 |
| Min. ambient temperature | °C | -30 |
| Max. ambient temperature | °C | 70 |
| Air flow | m ³ /h | 180 |
| Sound power level | B | 5.7 |
| Sound pressure level | dB(A) | 49 |

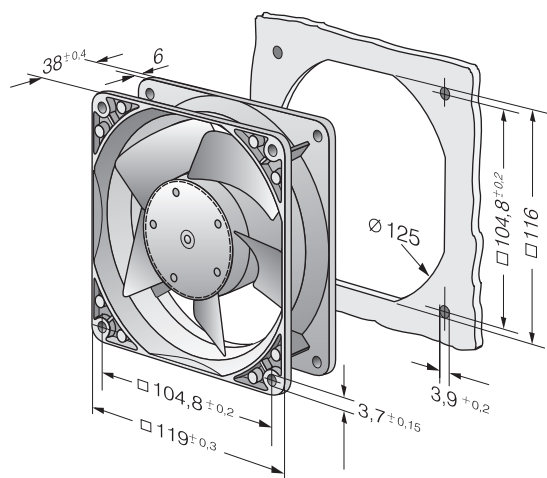
ml = Max. load · me = Max. efficiency · fa = Free air · cs = Customer specification · ce = Customer equipment
 Subject to change



Technical description

| | |
|--|--|
| Impeller material | Glass-fiber reinforced PA plastic |
| Weight | 0.390 kg |
| Dimensions | 119 x 119 x 38 mm |
| Housing material | Die-cast aluminum |
| Airflow direction | Intake over struts |
| Direction of rotation | Clockwise, viewed toward rotor |
| Storage | Ball bearing |
| Service life L10 at 40 °C | 85000 h |
| Service life L10 at maximum temperature | 42500 h |
| Cable | Flat plug 2.8 x 0.5 mm. Optionally also with wires. |
| Motor protection | Protection against reverse polarity and blocked rotor. |
| Approval | VDE, CSA, UL |
| Option | Speed signal, alarm signal |

Product drawing



Curves: Air performance

