

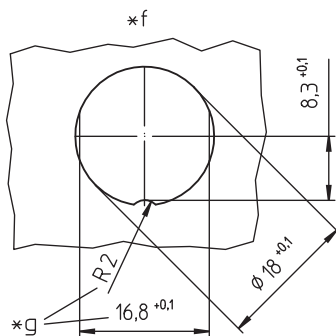
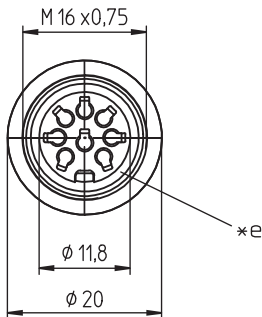
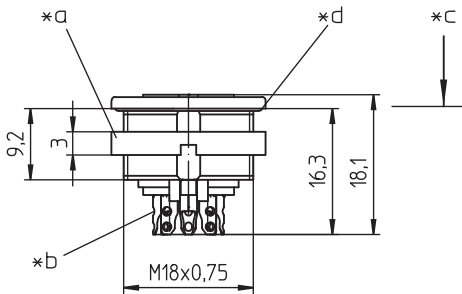
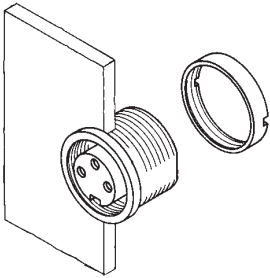
03 0304-1

Circular connectors with threaded joint M16 acc. to IEC 61076-2-106, IP40/IP67/IP68



Chassis socket acc. to AISG specification and IEC 61076-2-106, IP 68, with threaded joint and solder terminals, for front mounting

03 0304-1



Environmental conditions

Temperature range -40 °C/+85 °C

Materials

Insulating body PA GF, V-0 according to UL94
 Contact bush CuZn, silver-plated and flash gold-plated
 Housing Zn diecast, pre-copper and nickel-plated
 Ring screw CuZn, nickel-plated
 Seal NBR

Mechanical data

Insertion force/contact $\leq 5.0 \text{ N}^1$
 Withdrawal force/contact $\geq 1.2 \text{ N}^1$
 Protection class IP68²

¹ measured with a polished steel pin, nominal thickness 1.5 mm

² according to IEC DIN EN 60529, only in locked condition with an appropriate counterpart; IPX8 requirements under agreement between manufacturer and user

Connectable conductors for solder area

Section $\leq 0.75 \text{ mm}^2$ (AWG 20)

Electrical data (at $T_{\text{amb}} 20 \text{ °C}$)

Contact resistance $\leq 5 \text{ m}\Omega$
 Rated current 5 A ($T_{\text{amb}} 40 \text{ °C}$)
 Rated voltage 100 V (with pollution degree 1)
 32 V (with pollution degree 2)
 Rated impulse voltage 500 V
 Material group II (IEC)/I (UL) (CTI ≥ 550)
 Overvoltage category I
 Insulation resistance $> 100 \text{ M}\Omega$

Associated products

Counterparts
 ☞ 0331 ☞ 0332 ☞ 0332-1
 ☞ 033200 ☞ 0365 ☞ 036500

Accessories
 ☞ 0322 C 16 ☞ 0381 ☞ 038199
 ☞ 0382 ☞ 0384 ☞ 0385
 ☞ 038799

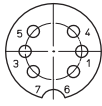
03

0304-1



*h

0304-1 05-3



08-a

0304-1 08-1

- *a nut enclosed separately
- *b cup-shaped solder terminal
- *c mounting direction
- *d O-ring gasket
- *e flat gasket
- *f port in mounting plate
- *g anti-rotation, alternative execution
- *h pin configuration according to AISG C485

03

0304-1

Designation	Pole Number	PU (Pieces)	MDQ (Pieces)
0304-1 05-3	5	50	100
0304-1 08-1	8	50	100

Packaging:

in a cardboard box