

841CS2-UNI

Current sensor relay, SE Relays, SPDT, 15A, 24 to 240 VAC, 1 time scale, 200 mA to 2 A, DIN mounting



Main

| | |
|----------------------|--------------------------|
| Product Range | Legacy |
| Product Type | Relay |
| Sensory Type | Current sensor |
| Switch Function | SPDT |
| Contacts Material | AgNi |
| Time Delay Type | Adjustable |
| Rated Supply Voltage | 24...240 V AC 50...60 Hz |

Complementary

| | |
|---------------------------|---|
| Time Delay Range | 0...10 s |
| Control Type | With adjustment knob front |
| Nominal Output Current | 15 A |
| Local Signalling | 1 LED red, blinking timing in progress 1 LED per input green |
| Repeat Accuracy | +/- 1 % - 5...5 % |
| Tripping Threshold | 0.2...2 A |
| Power Consumption in VA | 1.5 VA 24...240 V |
| Rated Operational Current | 15 A at 240 V AC-1 15 A at 24 V DC |
| Motor Power HP | 1 hp 240 V AC |
| Minimum Switching Current | 100 mA |
| Maximum Switching Voltage | 12 V |
| Tightening Torque | 7.08 lbf.in (0.8 N.m) |
| AWG Gauge | AWG 14 |
| Electrical Durability | 100000 cycles |
| Mechanical Durability | 30000000 cycles |
| Mounting Support | 35 mm DIN rail conforming to EN 55022 |
| Height | 2.52 in (64 mm) |
| Width | 0.69 in (17.6 mm) |
| Depth | 3.54 in (89.95 mm) |

Disclaimer: This documentation is not intended as a substitute for and is not to be used for determining suitability or reliability of these products for specific user applications

| | |
|----------------|----------------|
| Product Weight | 2.12 oz (60 g) |
|----------------|----------------|

Environment

| | |
|---------------------------------------|---------------------------------|
| Dielectric Strength | 4000 V between input and output |
| Standards | IEC 61810-1 |
| Product Certifications | cULus |
| Ambient Air Temperature for Storage | -22...158 °F (-30...70 °C) |
| Ambient Air Temperature for Operation | -4...131 °F (-20...55 °C) |
| IP Degree of Protection | IP20 IEC 60529 enclosure) |

Ordering and shipping details

| | |
|-----------------------|----------------|
| GTIN | 3606480282089 |
| Nbr. of units in pkg. | 1 |
| Package weight(Lbs) | 2.12 oz (60 g) |

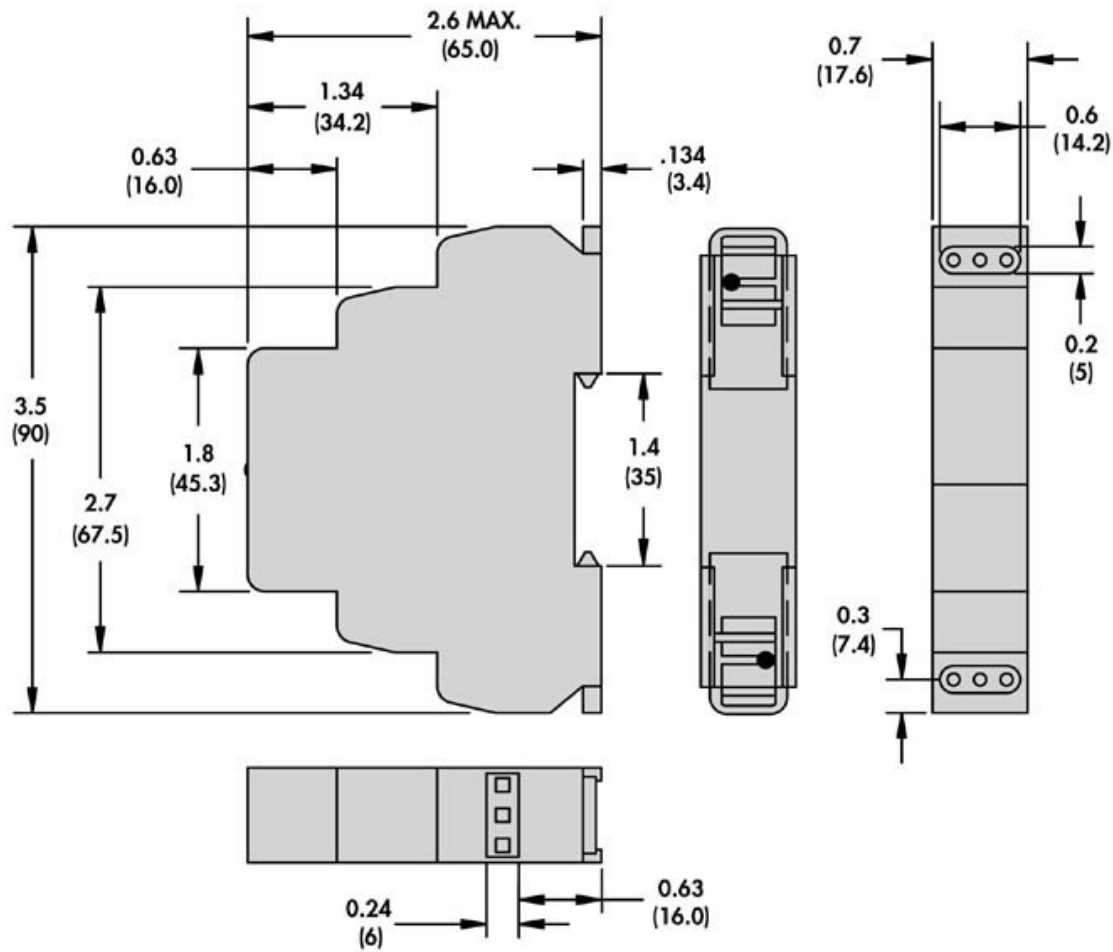
Packing Units

| | |
|------------------------|-------------------|
| Unit Type of Package 1 | PCE |
| Package 1 Height | 3.54 in (9 cm) |
| Package 1 width | 0.69 in (1.76 cm) |
| Package 1 Length | 2.56 in (6.5 cm) |

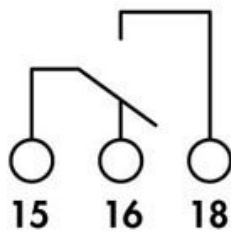
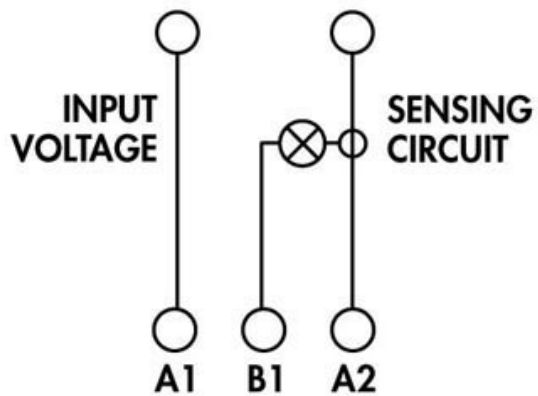
Offer Sustainability

| | |
|----------------------------|--|
| California proposition 65 | WARNING: This product can expose you to chemicals including: Nickel compounds, which is known to the State of California to cause cancer, and Di-isodecyl phthalate (DIDP), which is known to the State of California to cause birth defects or other reproductive harm. For more information go to www.P65Warnings.ca.gov |
| REACH Regulation | REACH Declaration |
| REACH free of SVHC | Yes |
| EU RoHS Directive | Pro-active compliance (Product out of EU RoHS legal scope) EU RoHS Declaration |
| Toxic heavy metal free | Yes |
| Mercury free | Yes |
| RoHS exemption information | Yes |
| China RoHS Regulation | China RoHS declaration |
| WEEE | The product must be disposed on European Union markets following specific waste collection and never end up in rubbish bins. |

Approximate Dimensions



Connections and Wiring Diagrams



15 - COMMON
16 - NORMALLY CLOSED
18 - NORMALLY OPEN