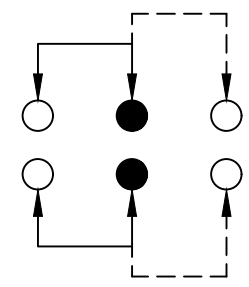
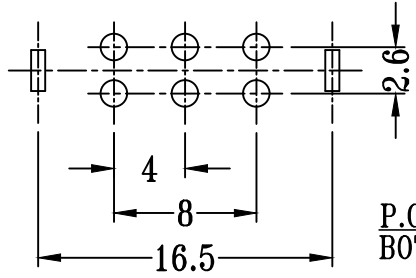
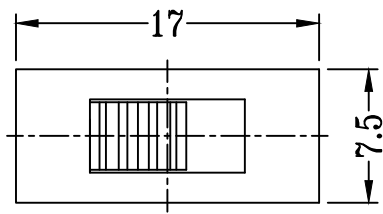
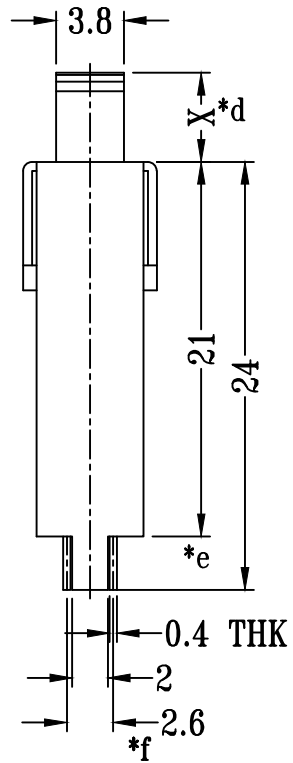
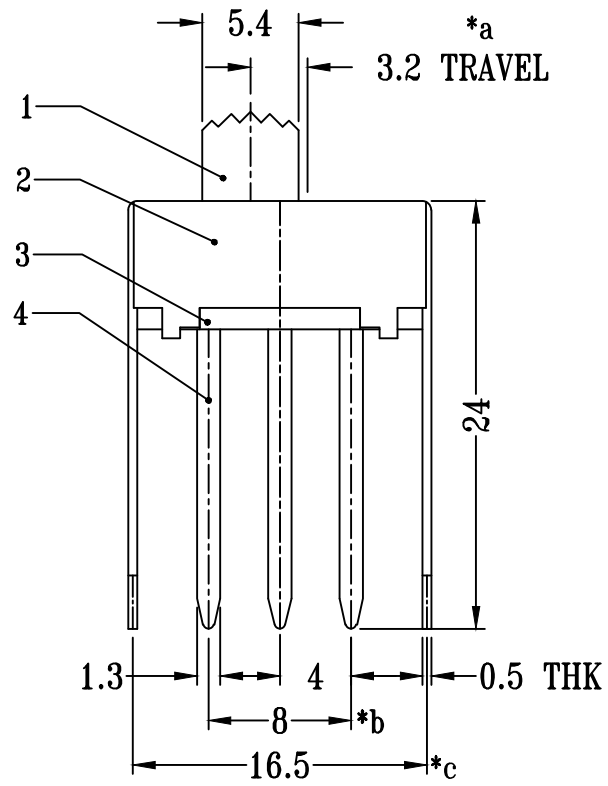


A B C D E



SCHEMATIC (NON-SHORTING)

SS-22F22-GXXX

直柄 G-Switch P/N

- G=020 (2.0) G=030 (3.0)
- G=040 (4.0) G=050 (5.0)
- G=055 (5.5) G=060 (6.0)
- G=065 (6.5) G=070 (7.0)
- G=075 (7.5) G=080 (8.0)
- G=085 (8.5) G=090 (9.0)
- G=095 (9.5) G=100 (10.0)

G-Switch Specification:
 RATING (额定值) : DC250V 0.5A
 CONTACT RESISTANCE 接触电阻: $\leq 70m\Omega$
 INSULATION RESISTANCE 绝缘电阻: $\geq 100m\Omega$
 DIELECTRIC STRENGTH 耐电压: AC 500V for 1 minute
 TIMING (时间特性) : SHORTING



	G-Switch Electronic Technology CO.,Ltd.		
	DESIGN 陈锋枫	DATE 2016.05.29	TITLE:
Unless otherwise specified, Tolerance: X. ± 0.30 X.x ± 0.20 X.xx ± 0.15 X.xxx ± 0.10 Angles $\pm 3'$	CHECKED	DATE	SS-22F22-GXXX
	APPROVED	DATE	
http://www.dg-switch.com		REV.: X1	SCALE: 4:1
TEL: 0769-82388879		SIZE: A4	SHEET: 1/1

A B C D E