

DESCRIPTION:

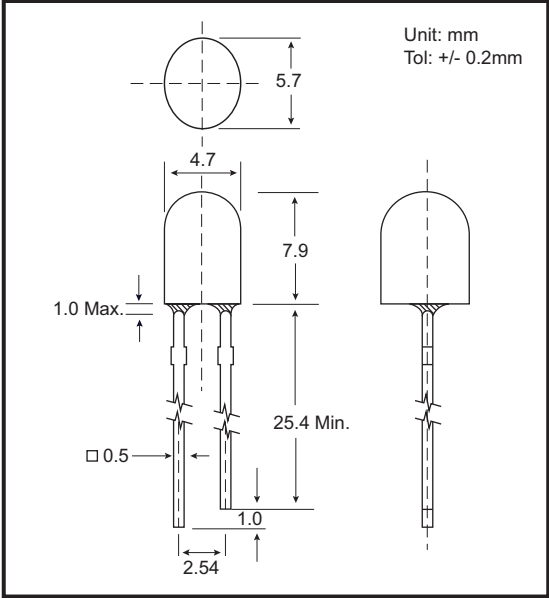
The 623 series is oval type specially designed for full color video and information signs. These devices are excellent for outdoor application where a wide viewing angle and readability in sunlight are essential.

The semi-conductor materials used are:

GaP for (623HD/HT, 623GC/GD/GT)

GaAsP/GaP for (623RHC/RHD/RHT, 623YC/YD/YT and 623SD)

PACKAGE DIMENSIONS



ABSOLUTE MAXIMUM RATINGS: (Ta=25°C)

Reverse Voltage	5 Volt
Reverse Current (Vr =5V)	100µA
Operating Temperature Range	-40°C To 85°C
Storage Temperature Range	-40°C To 100°C
Lead Soldering Temperature (1.6mm (1/16)From Body)	260°C For 5 Seconds

- NOTES : 1. All dimensions are in millimeters.
 2. Lead spacing is measured where the leads emerge from the package.
 3. Protuded resin under flange is 1.5 mm (0.059") Max.
 4. Specifications are subject to change without notice.

PART NO. SELECTION AND APPLICATION INFORMATION (RATINGS AT 25°C AMBIENT)

Part No.	Emitted Color	Lens Color	Peak Wavelength λp (nm)	Vf (v)		Rec. If (mA).	Iv (mcd)		View Angle 2θ1/2(Deg)
				Min	Max		Min	Typ.	
GB-623HD	Red	Red Diffused	697	1.7	2.6	5-10	1.0	3.0	X-AXIS = 76 Y-AXIS = 35
GB-623RHD	Bright Red	Red Diffused	660	1.7	2.6	10-20	2.5	10.0	X-AXIS = 76 Y-AXIS = 35
GB-623GD	Green	Green Diffused	565	1.7	2.6	10-20	2.5	10.0	X-AXIS = 76 Y-AXIS = 35
GB-623YD	Yellow	Yellow Diffused	585	1.7	2.6	10-20	2.5	10.0	X-AXIS = 76 Y-AXIS = 35
GB-623SD	Orange	Orange Diffused	610	1.7	2.6	10-20	2.5	10.0	X-AXIS = 76 Y-AXIS = 35
GB-623HT	Red	Red Trans.	697	1.7	2.6	5-10	1.0	15.0	X-AXIS = 54 Y-AXIS = 25
GB-623RHT	Bright Red	Red Trans.	660	1.7	2.6	10-20	6.0	30.0	X-AXIS = 54 Y-AXIS = 25
GB-623GT	Green	Green Trans.	565	1.7	2.6	10-20	6.0	30.0	X-AXIS = 54 Y-AXIS = 25
GB-623YT	Yellow	Yellow Trans.	585	1.7	2.6	10-20	6.0	30.0	X-AXIS = 54 Y-AXIS = 25
GB-623RHC	Bright Red	Water Clear	660	1.7	2.6	10-20	6.0	30.0	X-AXIS = 54 Y-AXIS = 25
GB-623GC	Green	Water Clear	565	1.7	2.6	10-20	6.0	30.0	X-AXIS = 54 Y-AXIS = 25
GB-623YC	Yellow	Water Clear	585	1.7	2.6	10-20	6.0	30.0	X-AXIS = 54 Y-AXIS = 25

TESTING CONDITION FOR EACH PARAMETER :

PARAMETER:	SYMBOL	UNIT	TEST CONDITION
REVERSE VOLTAGE	Vr	VOLT	Vr = 5.0 Volt
REVERSE CURRENT	Ir	µA	If = 20mA
FORWARD VOLTAGE	Vf	VOLT	If = 20mA
LUMINOUS INTENSITY	Iv	MCD	If = 20mA
VIEWING ANGLE	2θ1/2	DEGREE	
RECOMMENDED OPERATING CURRENT	If (Rec)	mA	

