

NOTES:

1. DELETED.
- 2 SCREW(S) AND WASHER(S) TO BE BAGGED SEPARATELY AND PLACED IN A BAG WITH POWER TERMINAL(S). SEAL BAG AND LABEL.
- 3 ALL TORQUE TESTING MUST BE PERFORMED WITH A .038 / 0.97 MINIMUM THICK SPACER BETWEEN THE SCREW HEAD AND TERMINAL BODY.
- 4 TORQUE REQUIREMENTS: THE THREADS OF THE POWER TERMINAL AND THE BRASS SCREW SUPPLIED WILL WITHSTAND 8 IN.-LBS. MINIMUM OF TIGHTENING TORQUE WITHOUT DAMAGE, WHEN A WASHER WITH A MINIMUM THICKNESS OF .038 / 0.97 (AS SUPPLIED) IS INSTALLED BETWEEN THE SCREW HEAD AND THE POWER TERMINAL BODY.
- 5 NO PLATING ON EDGES SHOWN
- 6 C-Press® CONTACT PLATED THRU HOLE REQUIREMENTS PER DRAWING 27331.
7. WHEN NO WASHER / SPACER OR TERMINAL LUG IS INSTALLED, THE THREADS OF THE POWER TERMINAL WILL WITHSTAND A MAXIMUM TIGHTENING TORQUE OF 6 IN.-LBS.

SPECIFICATIONS

MATERIALS

Power Terminal ————— Copper-Nickel-Tin Alloy, CDA 72500
 Finish: Solder Plate 60/40, 30min. to 70min.
 except per note 4

2 3 Screw ————— Brass, Pan Head (SEE CHART)

2 3 Washer ————— Stainless Steel, Passivated
 (.19 / 4.8 OD X .038 / 0.97 Min. Thk)

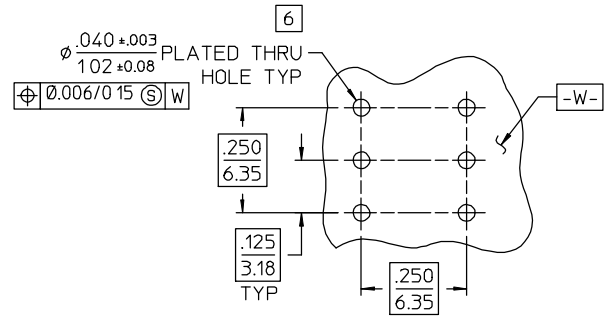
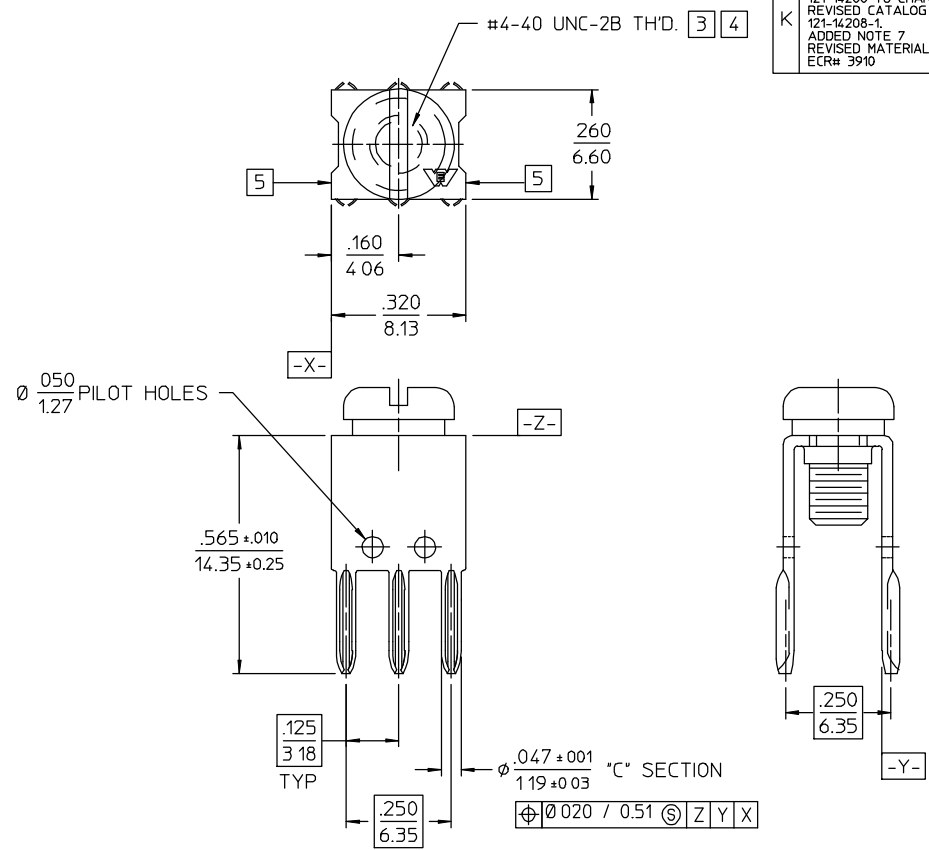
PERFORMANCE CHARACTERISTICS

Current rating, 6 Pin ————— 18 amp @ 30°C rise

Operating temperature range ————— -55°C to +105°C

C-Press® Performance:

- Maximum insertion force, 6 Pin ————— 240 lbs. max.
- Minimum retention force, 6 Pin ————— 48 lbs. min.
- Number of repair cycles without hole deformation or performance loss ————— 3
- Contact to PTH electrical resistance — 2 milliohms max.



121-14208 SHOWN

REV	DESCRIPTION	BY DATE	APPD
K	ADDED CATALOG No 121-14208 TO CHART REVISED CATALOG No 121-14208-1. ADDED NOTE 7 REVISED MATERIALS. ECR# 3910	56/60/01 DHT	DHT

CATALOG No	DESCRIPTION	INSERTION TOOL	REMOVAL TOOL	IMPACT HANDLE
121-14208-1	WITHOUT SCREW	107-42229 (PRESS)	107-42489	107-42055 (DRACON)
121-14208	WITH #4-40 UNC-2A SCREW AND WASHER	107-42228 (DRACON)		

WESTERN ELECTRIC 121 SERIES

UNLESS OTHERWISE SPECIFIED: DIMENSIONS ARE IN INCHES OR INCHES / MM

TOLERANCES: xx ± .02 / 0.5, xxx ± .005 / 0.13, ANGLES ±

SCALE: 4:1

Litton
 Winchester Electronics
 400 PARK ROAD
 WATERTOWN, CONNECTICUT
 06795

CUSTOMER DRAWING

TITLE: POWER TERMINAL, C-PRESS®
 6 PIN, #4-40 TH'D.
 .125 X .250 GRID

DATE DRAWN: 10/12/83, CHECKED: JAD, DATE: 10/27/83

DATE APPROVED: 10/27/83, APPROVED: [Signature]

14208 SH1 1 OF 1 K